



US00D487661S

(12) **United States Design Patent**  
**Signorati**

(10) **Patent No.:** **US D487,661 S**

(45) **Date of Patent:** **\*\* Mar. 23, 2004**

(54) **MULTICOLOR DESIGN FOR A ROLLER SHUTTER WINDING TUBE**

3,062,381 A \* 11/1962 Maiden ..... 211/105.6  
3,568,751 A \* 3/1971 Takahashi ..... 160/238

(76) Inventor: **Marco Signorati**, Via Vallunga No 42,  
Rovereto (IT)

\* cited by examiner

(\*\*) Term: **14 Years**

*Primary Examiner*—Robin V. Taylor

(74) *Attorney, Agent, or Firm*—Law Office of I. I nescu; I. Ionescu

(21) Appl. No.: **29/160,386**

(57) **CLAIM**

(22) Filed: **May 9, 2002**

The ornamental design for a multicolor design for a roller shutter winding tube, as shown.

(51) **LOC (7) Cl.** ..... **06-10**

(52) **U.S. Cl.** ..... **D6/580**

(58) **Field of Search** ..... D6/577, 580, 581;  
160/238, 243, 245, 250, 23.1

**DESCRIPTION**

FIG. 1 is a perspective view of a multicolor design for a roller shutter winding tube; and,

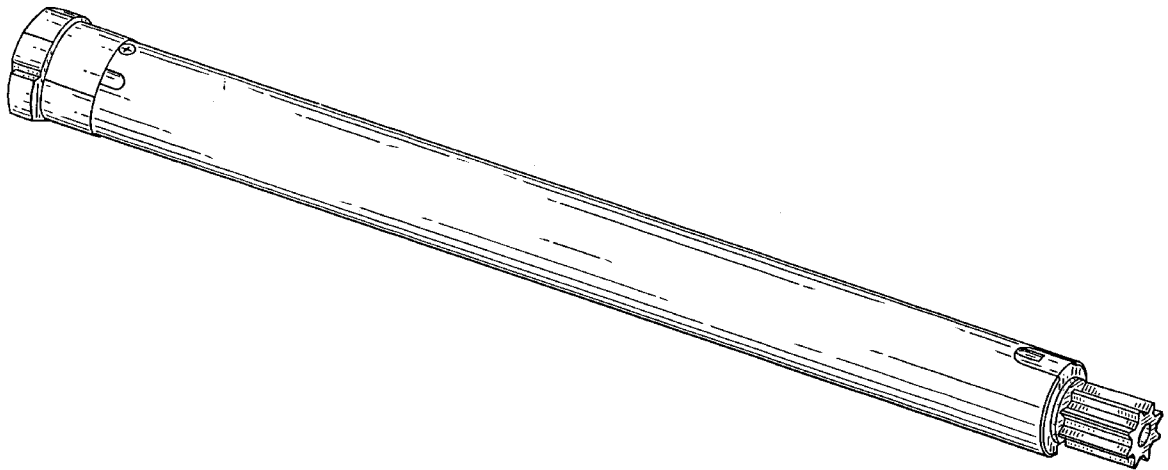
FIG. 2 is another perspective view, from the opposite side depicted in FIG. 1, of said multicolor design for a roller shutter winding tube.

(56) **References Cited**

**U.S. PATENT DOCUMENTS**

D33,738 S \* 12/1900 Timmerhoff ..... D6/580  
2,322,934 A \* 6/1943 Hicks ..... 160/387

**1 Claim, 2 Drawing Sheets**



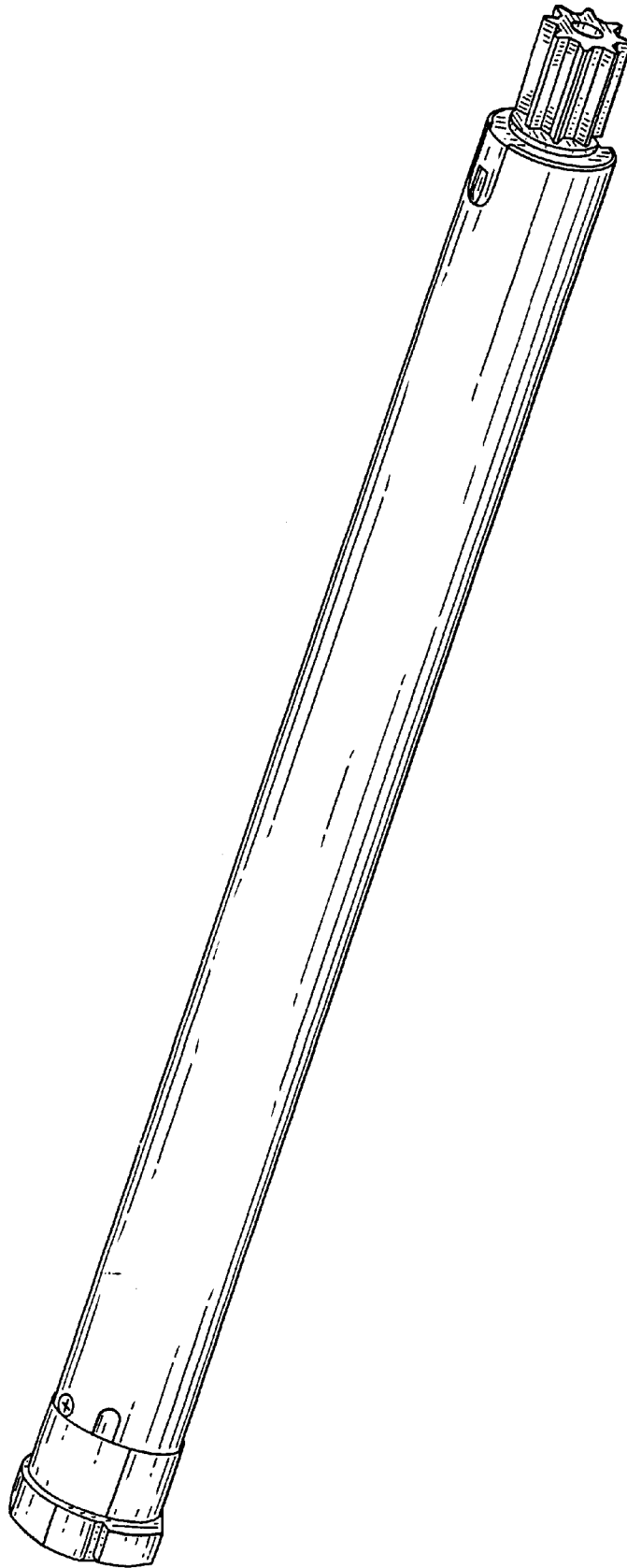


FIG. 1

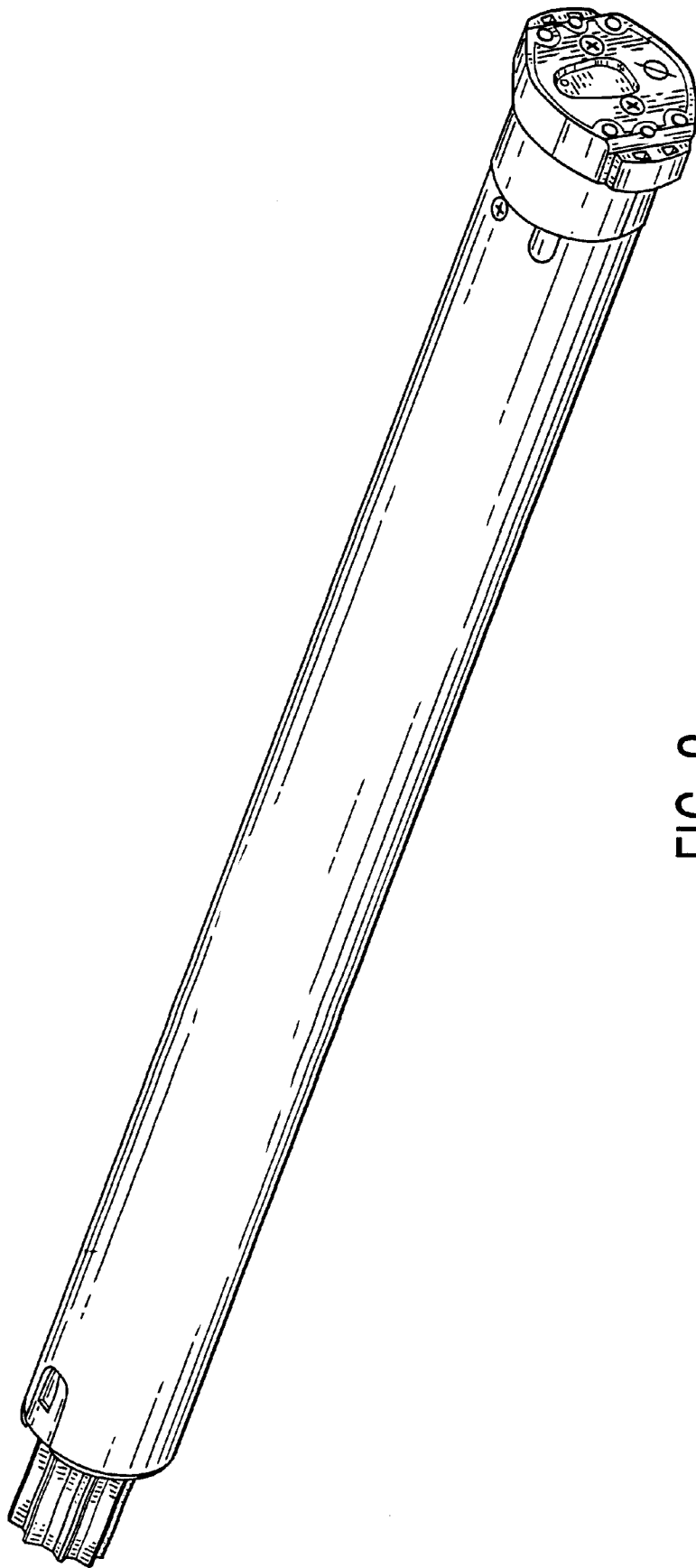


FIG. 2