

(19) World Intellectual Property Organization
International Bureau



(43) International Publication Date
3 February 2005 (03.02.2005)

PCT

(10) International Publication Number
WO 2005/011024 A3

(51) International Patent Classification⁷: H01M 2/36, 2/04

(21) International Application Number:
PCT/IT2004/000398

(22) International Filing Date: 22 July 2004 (22.07.2004)

(25) Filing Language: English

(26) Publication Language: English

(30) Priority Data:
VI2003A000148 24 July 2003 (24.07.2003) IT

(71) Applicant and

(72) Inventor: STOCCHIERO, Franco [IT/IT]; Via G. Zanella 34/A, I-36050 Montorso Vicentino (IT).

(74) Agent: ZILIOTTO, Tiziano; Contrada Porta S. Lucia, 48, I-36100 Vicenza (IT).

(81) Designated States (unless otherwise indicated, for every kind of national protection available): AE, AG, AL, AM, AT, AU, AZ, BA, BB, BG, BR, BW, BY, BZ, CA, CH, CN, CO, CR, CU, CZ, DE, DK, DM, DZ, EC, EE, EG, ES, FI, GB, GD, GE, GH, GM, HR, HU, ID, IL, IN, IS, JP, KE,

KG, KP, KR, KZ, LC, LK, LR, LS, LT, LU, LV, MA, MD, MG, MK, MN, MW, MX, MZ, NA, NI, NO, NZ, OM, PG, PH, PL, PT, RO, RU, SC, SD, SE, SG, SK, SL, SY, TJ, TM, TN, TR, TT, TZ, UA, UG, US, UZ, VC, VN, YU, ZA, ZM, ZW.

(84) Designated States (unless otherwise indicated, for every kind of regional protection available): ARIPO (BW, GH, GM, KE, LS, MW, MZ, NA, SD, SL, SZ, TZ, UG, ZM, ZW), Eurasian (AM, AZ, BY, KG, KZ, MD, RU, TJ, TM), European (AT, BE, BG, CH, CY, CZ, DE, DK, EE, ES, FI, FR, GB, GR, HU, IE, IT, LU, MC, NL, PL, PT, RO, SE, SI, SK, TR), OAPI (BF, BJ, CF, CG, CI, CM, GA, GN, GQ, GW, ML, MR, NE, SN, TD, TG).

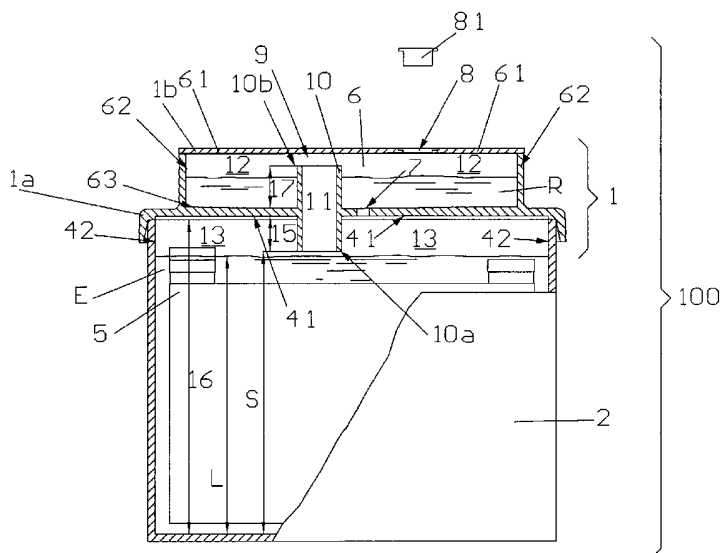
Published:

- with international search report
- before the expiration of the time limit for amending the claims and to be republished in the event of receipt of amendments

(88) Date of publication of the international search report:
16 June 2005

For two-letter codes and other abbreviations, refer to the "Guidance Notes on Codes and Abbreviations" appearing at the beginning of each regular issue of the PCT Gazette.

(54) Title: COVER FOR ELECTRIC ACCUMULATOR AND RELATIVE ELECTRIC ACCUMULATOR



(57) Abstract: The invention concerns a cover (1, 101, 102, 103, 104, 105) for an electric accumulator (100) adapted to be integral with the container (2) of the accumulator (100) and a relative accumulator (100). The cover (1, 101, 102, 103, 104, 105) comprises: a reservoir (6), adapted to contain a topping up liquid (R) of the electrolyte (E) present in the cells (4) of the accumulator (100), communicating through a supply duct (7) with the cells (4); control means (9) of the level (L) of the electrolyte (E) in the cells (4) adapted to prevent/allow the flow of topping up liquid (R) when the corresponding level (L) of the electrolyte (E) is higher/lower than a predetermined level (S).

WO 2005/011024 A3

INTERNATIONAL SEARCH REPORT

International Application No
PCT/IT2004/000398

A. CLASSIFICATION OF SUBJECT MATTER
IPC 7 H01M2/36 H01M2/04

According to International Patent Classification (IPC) or to both national classification and IPC

B. FIELDS SEARCHED

Minimum documentation searched (classification system followed by classification symbols)
IPC 7 H01M

Documentation searched other than minimum documentation to the extent that such documents are included in the fields searched

Electronic data base consulted during the international search (name of data base and, where practical, search terms used)

EPO-Internal, WPI Data, COMPENDEX, PAJ

C. DOCUMENTS CONSIDERED TO BE RELEVANT

Category °	Citation of document, with indication, where appropriate, of the relevant passages	Relevant to claim No.
X	GB 1 285 166 A (BOSCH GMBH ROBERT 'DE!) 9 August 1972 (1972-08-09)	1-5,7-9, 12-14, 16-20
Y	page 1, left-hand column, line 8 - line 12 page 1, left-hand column, line 41 - right-hand column, line 57 page 1, right-hand column, line 87 - page 2, left-hand column, line 5 page 2, left-hand column, line 25 - line 52 page 2, left-hand column, line 63 page 2, right-hand column, line 76 - line 79; claims 1,2,4,8 ----- -/--	6,15

Further documents are listed in the continuation of box C.

Patent family members are listed in annex.

° Special categories of cited documents :

- *A* document defining the general state of the art which is not considered to be of particular relevance
- *E* earlier document but published on or after the international filing date
- *L* document which may throw doubts on priority claim(s) or which is cited to establish the publication date of another citation or other special reason (as specified)
- *O* document referring to an oral disclosure, use, exhibition or other means
- *P* document published prior to the international filing date but later than the priority date claimed

- *T* later document published after the international filing date or priority date and not in conflict with the application but cited to understand the principle or theory underlying the invention
- *X* document of particular relevance; the claimed invention cannot be considered novel or cannot be considered to involve an inventive step when the document is taken alone
- *Y* document of particular relevance; the claimed invention cannot be considered to involve an inventive step when the document is combined with one or more other such documents, such combination being obvious to a person skilled in the art.
- *&* document member of the same patent family

Date of the actual completion of the international search

28 April 2005

Date of mailing of the international search report

09/05/2005

Name and mailing address of the ISA

European Patent Office, P.B. 5818 Patentlaan 2
NL - 2280 HV Rijswijk
Tel. (+31-70) 340-2040, Tx. 31 651 epo nl,
Fax: (+31-70) 340-3016

Authorized officer

Métais, S

INTERNATIONAL SEARCH REPORT

International Application No

T/IT2004/000398

C.(Continuation) DOCUMENTS CONSIDERED TO BE RELEVANT		
Category *	Citation of document, with indication, where appropriate, of the relevant passages	Relevant to claim No.
X	<p>GB 1 194 215 A (BOSCH GMBH ROBERT 'DE!)</p> <p>10 June 1970 (1970-06-10)</p> <p>page 1, left-hand column, line 37 - right-hand column, line 59</p> <p>page 1, right-hand column, line 82 - page 2, left-hand column, line 13</p> <p>page 2, left-hand column, line 29 - right-hand column, line 74</p> <p>claims 1,5,6,9</p> <p style="text-align: center;">-----</p>	1-5,7,9, 16-20
X	<p>US 3 708 348 A (PAINTER R,GB ET AL)</p> <p>2 January 1973 (1973-01-02)</p> <p>column 2, line 12 - line 24; claim 1</p> <p style="text-align: center;">-----</p>	1-5,7,8, 16-20
X	<p>GB 1 019 153 A (STANLEY HENRY CECIL)</p> <p>2 February 1966 (1966-02-02)</p> <p>page 1, left-hand column, line 23 - line 37</p> <p>page 1, right-hand column, line 48 - line 60</p> <p>page 1, right-hand column, line 75 - page 2, left-hand column, line 7</p> <p>claims 1,3</p> <p style="text-align: center;">-----</p>	1-5
Y	<p>EP 0 692 828 A (GLOBE-UNION INC)</p> <p>17 January 1996 (1996-01-17)</p> <p>page 5, line 14 - line 20</p> <p style="text-align: center;">-----</p>	15
Y	<p>GB 2 004 408 A (VARTA BATTERIE AG)</p> <p>28 March 1979 (1979-03-28)</p> <p>page 1, right-hand column, line 66 - line 78</p> <p>page 1, right-hand column, line 98 - line 103</p> <p style="text-align: center;">-----</p>	6

INTERNATIONAL SEARCH REPORT

Information on patent family members

International Application No

PCT/IT2004/000398

Patent document cited in search report		Publication date	Patent family member(s)	Publication date
GB 1285166	A	09-08-1972	DE 2003968 A1	05-08-1971
			AT 301646 B	11-09-1972
			FR 2075142 A5	08-10-1971
			JP 49000940 B	10-01-1974
			US 3740272 A	19-06-1973
GB 1194215	A	10-06-1970	AT 276519 B	25-11-1969
			BE 703509 A	01-02-1968
			CH 497796 A	15-10-1970
			CH 459313 A	15-07-1968
			DE 1571989 A1	11-03-1971
			ES 344745 A1	16-10-1968
			SE 333201 B	08-03-1971
			US 3485678 A	23-12-1969
US 3708348	A	02-01-1973	NONE	
GB 1019153	A	02-02-1966	NONE	
EP 0692828	A	17-01-1996	US 5549986 A	27-08-1996
			EP 0692828 A2	17-01-1996
			JP 8045487 A	16-02-1996
GB 2004408	A	28-03-1979	DE 2741289 A1	22-03-1979
			AT 389178 A	15-11-1980
			SE 7808103 A	15-03-1979