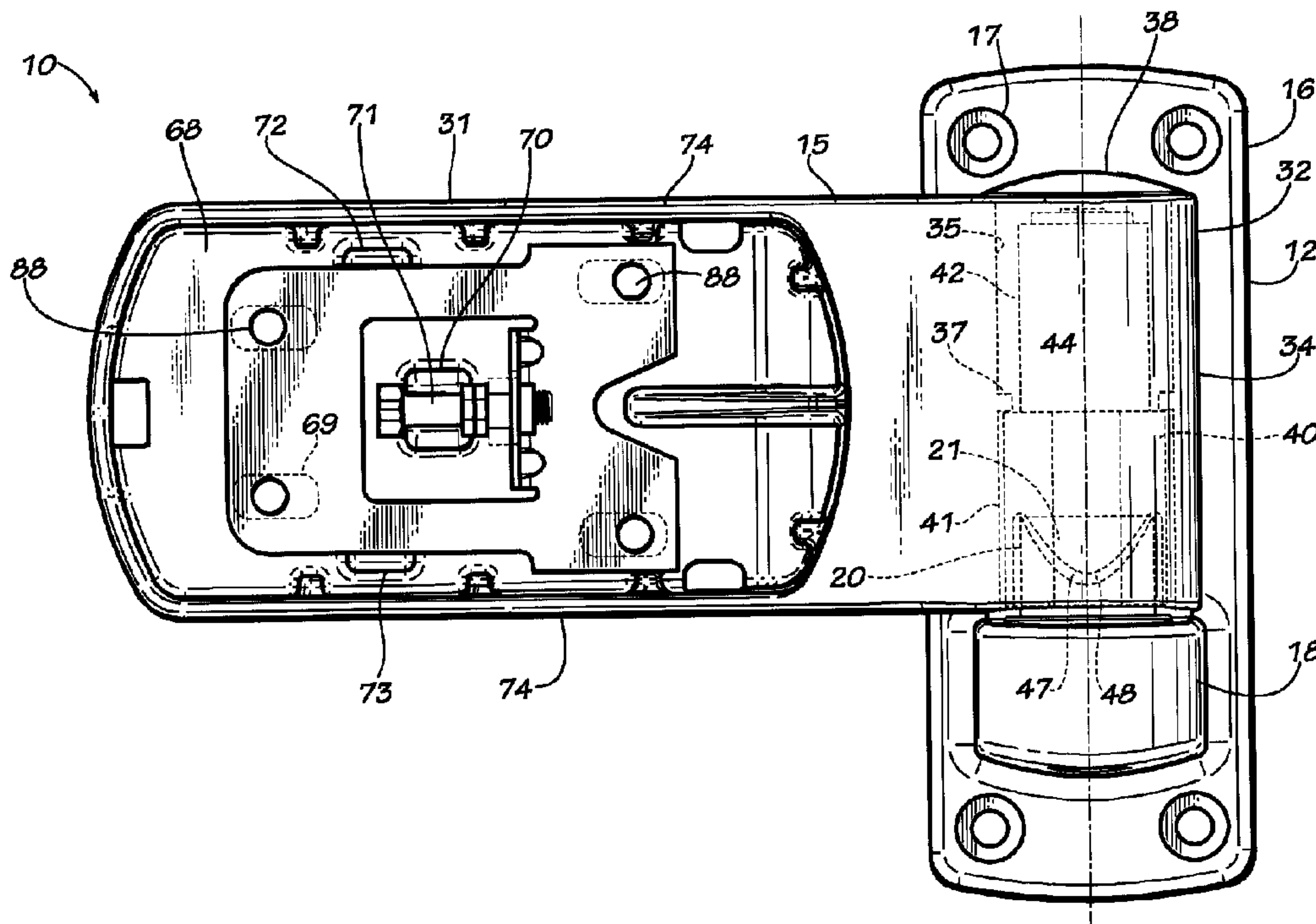




(22) **Date de dépôt/Filing Date:** 2013/11/06
(41) **Mise à la disp. pub./Open to Public Insp.:** 2014/08/06
(45) **Date de délivrance/Issue Date:** 2019/08/13
(30) **Priorité/Priority:** 2013/02/06 (US13/760,997)

(51) **Cl.Int./Int.Cl.** *E05D 7/00* (2006.01),
E05D 11/00 (2006.01), *F25D 23/00* (2006.01)
(72) **Inventeurs/Inventors:**
MITCHELL, BRETT A., US;
UNDERWOOD, JEFFREY E., US
(73) **Propriétaire/Owner:**
KASON INDUSTRIES, INC., US
(74) **Agent:** FINLAYSON & SINGLEHURST

(54) **Titre : CHARNIERE ANTI-FLECHISSEMENT REGLABLE**
(54) **Title: ADJUSTABLE ANTI-SAG HINGE**



(57) **Abrégé/Abstract:**

There is disclosed an anti-sag hinge (10) which includes a mounting flange assembly (12) pivotally coupled to a strap assembly (15). The strap assembly includes a strap (31) extending from a cylinder portion (32). The strap includes elongated mounting holes (69), an adjustment screw boss (70) having a passageway (71), and a moveable adjustment bracket (77) having an adjustment screw mounting flange (78) with a threaded screw hole (79) therein in which is threadably mounted an adjustment screw (80). The adjustment screw has a head (81), a bearing flange (82), a neck (83), and a threaded shaft (84). A removable spacer (86) has a U-shaped gripping portion (87) which is snap fitted onto a portion of the threaded shaft between the bearing flange and the adjustment bracket screw flange. The adjustment bracket includes four mounting holes (88) extending therethrough and generally in alignment with strap elongated mounting holes.

ABSTRACT

There is disclosed an anti-sag hinge (10) which includes a mounting flange assembly (12) pivotally coupled to a strap assembly (15). The strap assembly includes a strap (31) extending from a cylinder portion (32). The strap includes elongated mounting holes (69), an adjustment screw boss (70) having a passageway (71), and a moveable adjustment bracket (77) having an adjustment screw mounting flange (78) with a threaded screw hole (79) therein in which is threadably mounted an adjustment screw (80). The adjustment screw has a head (81), a bearing flange (82), a neck (83), and a threaded shaft (84). A removable spacer (86) has a U-shaped gripping portion (87) which is snap fitted onto a portion of the threaded shaft between the bearing flange and the adjustment bracket screw flange. The adjustment bracket includes four mounting holes (88) extending therethrough and generally in alignment with strap elongated mounting holes.

5

ADJUSTABLE ANTI-SAG HINGE**TECHNICAL FIELD**

10

This invention relates generally to door hinges, and more particularly to hinges used for commercial refrigerator and freezer doors.

BACKGROUND OF INVENTION

15

Walk-in cold rooms, such as walk-in coolers, freezers, or other refrigerated environments, are common in various industries, including supermarkets and grocery stores, commercial kitchens, and other food service facilities. They typically have one or more access doors for entry and exit.

20

These doors are heavy and thus a common problem that may occur over time is door sag, which may cause the door not to open freely as it drags against the underlying floor or be properly locked or sealed as it does not fully close. The sag is caused by hinge wear, structural shifting due to temperature cycling, impacts, abuse, poor design of the door and frame, or the hinges shifting on the mounting screws. Sag is difficult to overcome without extensive repair work, such as the removal and remounting of the hinges or the replacement

of the door and frame. For the replacement, adjustment or cleaning of the hinge the NSF prefers that the hinge be a "lift-off" type to allow the door and the enclosure to be cleaned by lifting it off the hinges and hosing down the door assembly.

Accordingly, there is a need in the art for a hinge that will allow for the door to be lifted off easily, which does not promote door sag, and which allows small adjustments to the hinge. It is to the provision of such therefore that the present invention is primarily directed.

SUMMARY OF THE INVENTION

In a preferred form of the invention an anti-sag hinge comprises a mounting flange assembly, and a strap assembly pivotally coupled to the mounting flange assembly. The strap assembly including a strap having at least one strap mounting hole, an adjustment bracket coupled to the strap for relative movement therebetween and having at least one bracket mounting hole alignable with the at least one strap mounting hole, and an adjuster coupled to the strap and the adjustment bracket. The adjuster is capable of varying the position of the adjustment bracket relative to the strap wherein the adjuster includes a first flange extending from the strap, a second flange extending from the adjustment bracket and having a threaded bolt mounting hole therein, and a threaded bolt coupled to the first flange for rotatable movement but preventing lateral movement of the threaded bolt along a longitudinal axis and threadably coupled to the second flange bolt mounting hole. With this construction, threaded movement of the threaded bolt causes relative movement between the first and second flanges, and thereby relative movement between the adjustment bracket and the strap.

In a further embodiment of the invention an anti-sag hinge comprises a mounting flange assembly, and a strap assembly pivotally coupled to the mounting flange assembly. The strap assembly including a strap having door mounting holes therein and an adjustment flange, an adjustment bracket coupled to the strap for relative lateral
5 movement therebetween, the adjustment bracket including a threaded adjustment mounting hole therein, and an adjuster having an elongated shaft threadably coupled to the strap adjustment flange to prevent longitudinal movement therebetween and including a threaded portion threadably received within the adjustment bracket threaded adjustment mounting hole. The adjuster is capable of varying the position of the adjustment bracket
10 relative to the strap via rotational movement of the adjuster. The adjustment bracket includes door mounting holes aligned with the strap elongated door mounting holes.

In a further embodiment of the invention an anti-sag hinge comprises a mounting flange assembly, and a strap assembly pivotally coupled to the mounting flange assembly. The strap assembly including a strap having at least one strap door mounting
15 hole, an adjustment bracket coupled to the strap for relative movement therebetween and having at least one bracket door mounting hole alignable with the at least one strap door mounting hole, and an adjuster coupled to the strap and the adjustment bracket. The adjuster is capable of varying the position of the adjustment bracket relative to the strap wherein the adjuster includes a first flange extending from the strap, a second flange
20 extending from the adjustment bracket and having a threaded bolt mounting hole therein, a threaded bolt coupled to the first flange for rotatable movement, and a removable spacer mounted to the threaded bolt between the first flange and the second flange. The spacer is of a size which aligns the bracket door mounting hole with the strap assembly door mounting hole, whereby the spacer is utilized to maintain the alignment of the adjustment
25 bracket with the strap during the mounting process and subsequently removed during the adjustment process of the anti-sag hinge.

BRIEF DESCRIPTION OF DRAWINGS

Fig. 1 is a front view of an anti-sag hinge embodying principles of the invention in a preferred form.

Fig. 2 is a top view of the anti-sag hinge of Fig. 1, shown in partial cross-section.

5 Fig. 3 is a perspective view of a portion of the anti-sag hinge of Fig. 1.

Fig. 4 is an exploded view of the anti-sag hinge of Fig. 1.

Fig. 5 is a cross-sectional view of a bushing of the anti-sag hinge of Fig. 1.

Fig. 6 is a perspective view of the cam follower of the anti-sag hinge of Fig. 1.

Fig. 7 is a perspective view of the spacer of the anti-sag hinge of Fig. 1.

10

DETAILED DESCRIPTION

With reference next to the drawings, there is shown a lift-off type anti-sag hinge 10 according to the present invention. The hinge 10 includes a mounting flange assembly 12 pivotally coupled to a strap assembly 15. It is to be appreciated that the hinge 10 shown in the drawings is configured for use with a walk-in refrigerator or freezer door. The jamb and doors are well-known in the art and need not be disclosed further herein. It is to be further appreciated that the hinge 10, either alone or in combination with another hinge in accordance with the present invention, support a door (not shown) in the usual manner.

15

20

The mounting flange assembly 12 includes a metal mounting plate 16 having four mounting holes 17 therethrough adapted to receiving unshown mounting bolts or screws, and a metal lower hinge flange 18 extending from the mounting plate 16. As used throughout the entire disclosure herein, the terms screw and bolt are used interchangeably. The lower

hinge flange 18 includes a cam recess 19 configured to receive an internally mounted cam 20 which enables the hinge to be a riser type hinge, although this is merely an option of the present invention. The cam 20 includes a dual sloped camming surface 21. The cam 20 and later described cam follower are preferably made of a smooth, low-frictional plastic material such as nylon. The lower hinge flange 18 also includes a shoulder bolt hole 22 therethrough in which is mounted a shoulder bolt or rod 25.

The strap assembly 15 includes a metal elongated strap 31 extending from a cylinder portion 32. The term cylinder portion 32 is meant to describe the enlarged casing located at the end of the strap and the encased bearings, spring, and cam described in more detail hereinafter. The term cylinder portion is not intended to be limited to a cylinder shape, as this portion or parts of this portion may be of many known shapes and are not necessarily cylindrical in shape.

The cylindrical portion 32 includes a coupling end 34 with a vertically extending octagonal channel 35 therethrough. The octagonal channel 35 includes a vertically extending alignment ridge or tongue 36 and a centrally positioned, horizontally oriented, annular ridge 37. A cap 38 is pressed into and seals the top opening of the channel 35. The cylindrical portion 32 also includes an elongated cam follower 40 having a lower cam follower portion 41 and an upper cam follower portion 42. The lower cam follower portion 41 has an octagonal exterior surface 43 terminating at a circumferential ledge or shoulder 44 positioned to abut and bear against the centrally positioned annular ridge 37 of the coupling end 34. It should be noted that the coupling end octagonal channel 35 is longitudinally symmetric about the centrally positioned annular ridge 37 so that the cam follower 40 may be positioned in

either end, thereby making it reversible (either left hand or right hand door configurable) so that the cam follower may fit in the octagonal channel 35 from either open end. The lower cam follower portion 41 also has an interior surface 46 with a cam following surface 47 configured to mesh or mate with the cam camming surface 21. The cam following surface 47 includes a low point 48 flanked on either side by symmetrical incline surfaces which terminate at a common dwell surface. The symmetry allows the cam follower to rise with rotation in either direction so that the hinge may be mounted to both right hand and left hand opening doors. The lower cam follower portion 41 also has a longitudinally extending slot or groove 53 configured to receive the coupling end alignment tongue 36. The groove 53 has a camber 54 in the ledge 44 which aids in initially guiding the tongue 36 into the groove. The groove 53 is aligned along the exterior surface directly opposite the low point 48, so that the groove 53 extends into or corresponds to the longest portion of the camming surface to allow for the greatest degree of strength or minimizing the weakening of component due to the absence of material created by the groove 53.

The upper cam follower portion 42 is generally cylindrical with a round exterior surface 55 and a round interior surface 56 defining an interior channel 57 commencing at an interior floor 58. A bolt or rod hole 59 passes through the center of the cam follower in which resides the shoulder rod 25 so that the cam follower 40 may rotate or pivot about the shoulder rod and relative to the underlying cam 20.

The strap assembly 15 also includes a compression spring 62 positioned concentrically about the shoulder rod 25 and within cam follower interior channel 56. A bushing 63 and washer 64, positioned on top of the bushing 63, are also positioned

concentrically about the shoulder rod 25 and within the cam follower interior channel 56. The bushing 63 has a peripheral flange 65 with an annular bottom recess 66 configured to receive a topmost portion of the compression spring 62, which enables the spring 62 to be maintained tightly in position while still allowing lateral room for the spring to expand during spring compression under load, i.e., with the spring under no load there is room between the spring and the interior surface 56 which allows the spring to laterally expand when it is vertically compressed and therefore laterally expanded under a load. The top of the shoulder rod 25 is blunted or deformed to prevent the removal of the washer 64 and thereby the bushing 63 and spring 62. The compression of the spring 62 biases the cam follower 40 to its lowermost position, which will correlate with the closed position of the refrigerator door, and as such the hinge shown in the drawings is a self-closing type hinge..

The strap 31 includes a large interior well or recess 68 having four elongated mounting holes 69, an adjustment screw flange, holder or boss 70 having a screw hole or passageway 71 therein, an upper guide 72 and a lower guide 73. The recess 68 is defined by the sidewalls 74 of the strap 31 which extend to the most outboard portion of the hinge, i.e., a peripheral sidewall 74 which extends outwardly from the underlying door so as to make initial contact with any structure colliding with or impacting upon the hinge. The adjustment screw boss passageway 71 preferably is U-shaped so as to have an open top configuration.

The strap 31 also includes a moveable adjustment bracket 77 mounted for lateral movement relative to the underlying strap 31. The vertical movement of the adjustment bracket 77 is limited by the upper guide 72 and lower guide 73. The adjustment bracket 77 also includes an adjustment screw mounting flange 78 having a threaded screw hole 79

therein in which is threadably mounted an adjustment screw 80. The adjustment screw 80 has a head 81, a bearing flange 82, a neck 83 extending between the head 81 and bearing flange 82, and an externally threaded shaft 84 which is threaded into mounting flange screw hole 79. A removable spacer 86 is removably mounted to the adjustment screw 80. The
5 spacer 86 has a U-shaped gripping portion 87 which is snap fitted onto a neck portion of the threaded shaft 84 between the bearing flange 82 and the adjustment bracket screw flange 78. Lastly, the adjustment bracket 77 includes four mounting holes 88 extending therethrough and generally in alignment with strap elongated mounting holes 69. A flexible bumper or cover 90 is configured to fit snugly into the top end of the strap recess 68 to protect and seal
10 the interior of the strap assembly, the bumper may include tabs which fit within corresponding tab holes or grooves in the strap.

In use, the hinge 10 is mounted to the refrigerator or freezer door in the conventional manner as is well known in the art. The mounting plate 16 is secured to the jamb by the use of screws (not shown) that extend through the mounting plate mounting holes 17 and into
15 the jamb. A conventional walk-in refrigerator or freezer door is similarly secured to the hinge 10 by four screws (not shown) that extend through the four mounting holes 88 of the strap assembly adjustment bracket 77 and through the four elongated mounting holes 69 of the strap 31. The removable spacer 86 is initially positioned so that the adjustment bracket mounting holes 88 are aligned with the strap mounting holes 69. Once the flange assembly
20 mounting screws are secured and the strap assembly mounting screws are partially secured but not finally tightened, final adjustment of the adjustment bracket may occur to level the door.

To adjust the bracket, the removable spacer 86 is removed and the adjustment screw 80 is rotatably threaded into the threaded hole 79 of the screw adjustment flange 78 to cause relative movement between the adjustment bracket 77 and the underlying strap 31. This relative movement causes the movement of the door relative to the stationary jamb, as the elongated holes 69 allow relative movement of mounting screws and adjustment bracket. The movement of the door enables the door to be properly aligned. The mounting screws are then fully tightened into the door to prevent further movement of the strap 31. Moreover, should the door sag over time, the mounting screws are slightly loosened and the adjustment screw is merely threaded to once again cause movement of the door to a properly aligned position, as previously described.

The rotation of the adjustment screw 80 in one direction (clockwise) causes the threaded screw 80 to be threaded further into the screw flange 78 of the adjustment bracket 77, thereby causing the adjustment bracket 77 to move towards the boss 70. The rotation of the threaded screw 80 in this direction causes the screw head 81 to bear against the boss 70 to force the lateral movement. The rotation of the adjustment screw 80 in the other direction (counter-clockwise) causes the threaded screw 80 to be threaded further out of the adjustment bracket flange 78, thereby causing the adjustment bracket 77 to move in a direction away from the boss 70. The rotation of the threaded screw 80 in this direction causes the screw bearing flange 82 to bear against the boss 70 to force the lateral movement in a direction away from the boss 70. As such, the bolt is allowed to rotate yet is prevented from moving laterally along the longitudinal axis of the bolt by the contact between the bolt and the boss due to the bolt head and bearing flange bearing upon the boss.

It should be understood that the present invention is an improvement over the prior art shown in U.S. Patent No. 7,870,642 as the threaded portion in which the adjustment screw is threaded into resides in the removable adjustment plate. This allows the manufacturing of the threads in the mounting hole to occur in a simple manner, as oppose
5 to the prior art which required the threading process to occur on the large, heavy flange of the strap itself, thus complicating the manufacturing process of the hinge and causing a great deal of problems if the threads were not properly formed. Furthermore, if the threads become stripped or damaged only the adjustment bracket needs to be replaced rather than the entire hinge strap.

10 It should also be understood that the open channel or passageway 71 of the boss allows for the ease of positioning the adjustment bracket by simply dropping the adjustment screw neck 83 into the boss wherein the spacer is utilized to maintain the position of the adjustment screw.

15 While this invention has been described in detail with particular reference to the preferred embodiments thereof and the best mode of practicing same, it will be understood that variations and modifications can be effected within the spirit and scope of the invention as described herein above and as set forth in the appended claims.

The invention claimed is:

1. An anti-sag hinge comprising, a mounting flange assembly, and a strap assembly pivotally coupled to said mounting flange assembly, said strap assembly including a strap having at least one strap mounting hole, an adjustment bracket coupled to said strap for relative movement therebetween and having at least one bracket mounting hole alignable with said at least one strap mounting hole, and an adjuster coupled to said strap and said adjustment bracket, said adjuster being capable of varying the position of said adjustment bracket relative to said strap wherein said adjuster includes a first flange extending from said strap, a second flange extending from said adjustment bracket and having a threaded bolt mounting hole therein, and a threaded bolt coupled to said first flange for rotatable movement but preventing lateral movement of said threaded bolt along a longitudinal axis and threadably coupled to said second flange threaded bolt mounting hole, whereby threaded movement of the threaded bolt causes relative movement between the first and second flanges, and thereby relative movement between the adjustment bracket and the strap.

2. The anti-sag hinge of claim 1 wherein said threaded bolt has a head positioned to abut one side of said first flange and a bearing flange positioned to abut an opposite side of said first flange.

3. The anti-sag hinge of claim 2 further comprising a removable spacer mounted to said threaded bolt between said threaded bolt bearing flange and said second flange.

4. The anti-sag hinge of claim 1 wherein said first flange has an open passageway configured to removably receive said threaded bolt.

5. An anti-sag hinge comprising, a mounting flange assembly, and a strap assembly pivotally coupled to said mounting flange assembly, said strap assembly including a strap having door mounting holes therein and an adjustment flange, an adjustment bracket coupled to said strap for relative lateral movement therebetween, said adjustment bracket including a threaded adjustment mounting hole therein, and an adjuster having an elongated shaft threadably coupled to said strap adjustment flange to prevent longitudinal movement therebetween and including a threaded portion threadably received within said adjustment bracket threaded adjustment mounting hole, said adjuster being capable of varying the position of said adjustment bracket relative to said strap via rotational movement of said adjuster, and wherein said adjustment bracket includes door mounting holes aligned with said strap elongated door mounting holes.

6. The anti-sag hinge of claim 5 wherein said adjuster is a threaded bolt having a head positioned to abut one side of said strap adjustment flange and a bearing flange positioned to abut an opposite side of said strap adjustment flange.

7. The anti-sag hinge of claim 6 further comprising a removable spacer mounted to said threaded bolt between said threaded bolt bearing flange and said adjustment bracket.

8. The anti-sag hinge of claim 6 wherein said adjustment flange has an open passageway configured to removably receive said threaded bolt.

9. An anti-sag hinge comprising, a mounting flange assembly, and a strap assembly pivotally coupled to said mounting flange assembly, said strap assembly including a strap having at least one strap door mounting hole, an adjustment bracket coupled to said strap for relative movement therebetween and having at least one bracket door mounting hole alignable with said at least one strap door mounting hole, and an adjuster coupled to said strap and said adjustment bracket, said adjuster being capable of varying the position of said adjustment bracket relative to said strap wherein said adjuster includes a first flange extending from said strap, a second flange extending from said adjustment bracket and having a threaded bolt mounting hole therein, a threaded bolt coupled to said first flange for rotatable movement, and a removable spacer mounted to said threaded bolt between said first flange and said second flange, said spacer being of a size which aligns said bracket door mounting hole with said strap assembly door mounting hole, whereby the spacer is utilized to maintain the alignment of the adjustment bracket with the strap during the mounting process and subsequently removed during the adjustment process of the anti-sag hinge.

10. The anti-sag hinge of claim 9 wherein said threaded bolt has a head positioned to abut one side of said first flange and a bearing flange positioned to abut an opposite side of said first flange.

11. The anti-sag hinge of claim 9 wherein said threaded bolt is threadably coupled to said second flange bolt mounting hole.

12. The anti-sag hinge of claim 2 wherein said first flange has an open passageway configured to removably receive said threaded bolt.

2/4

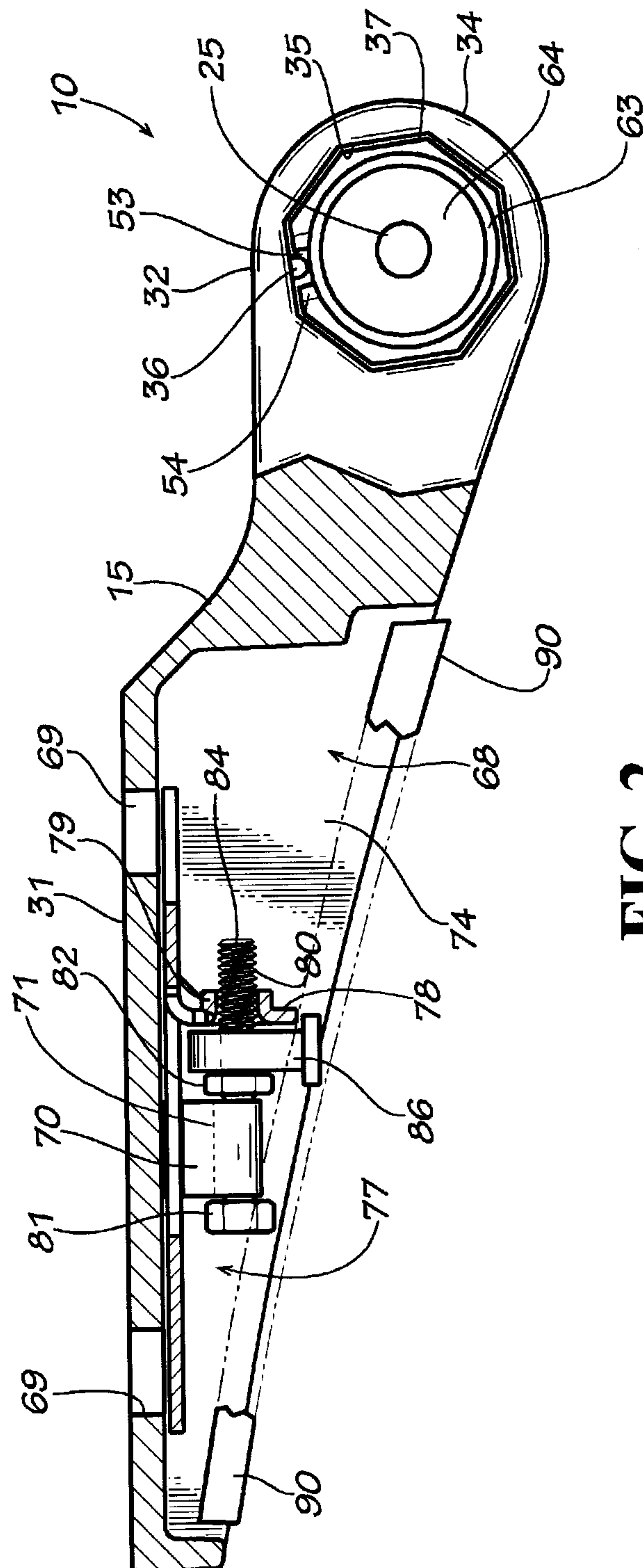


FIG. 2

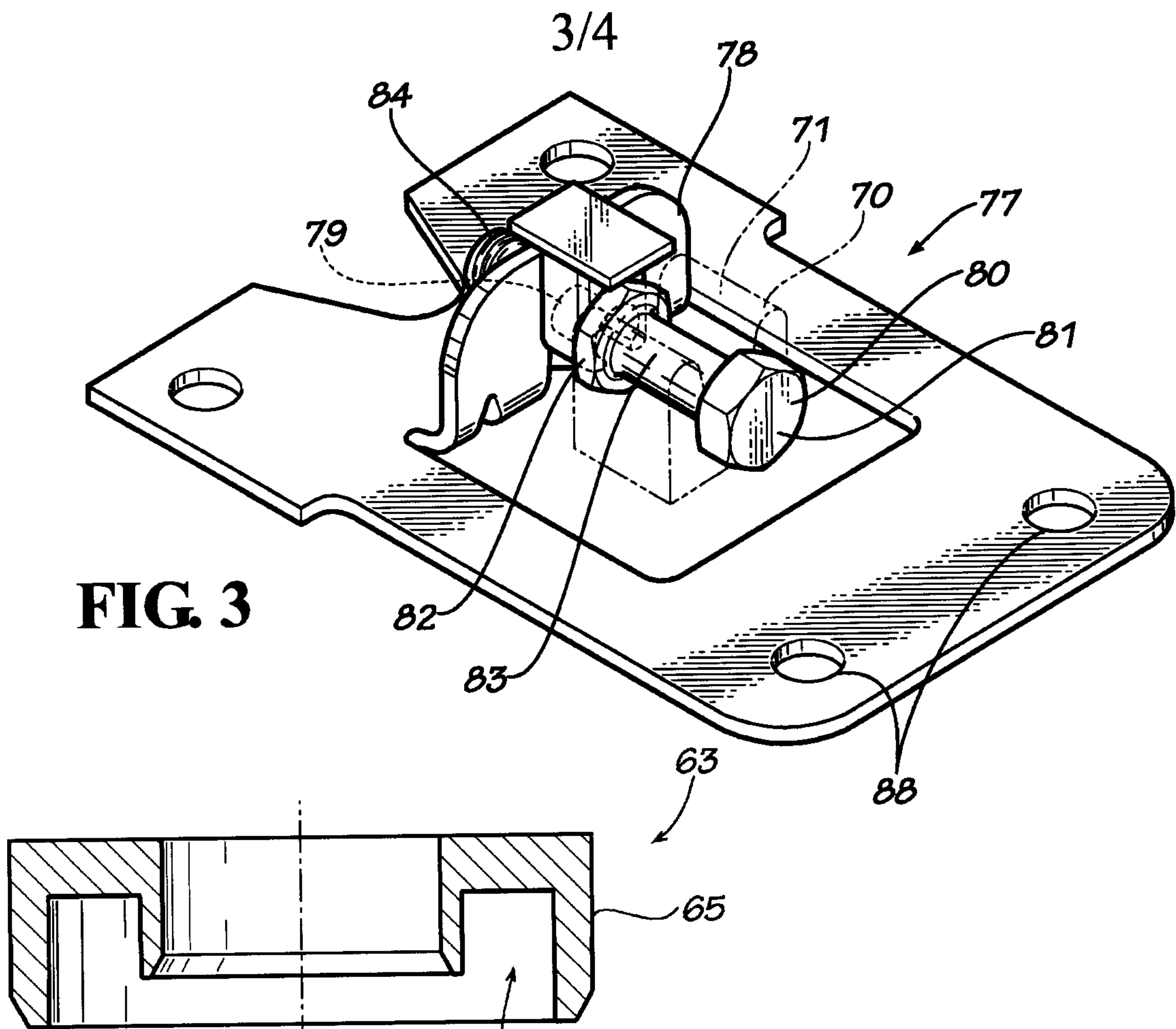


FIG. 3

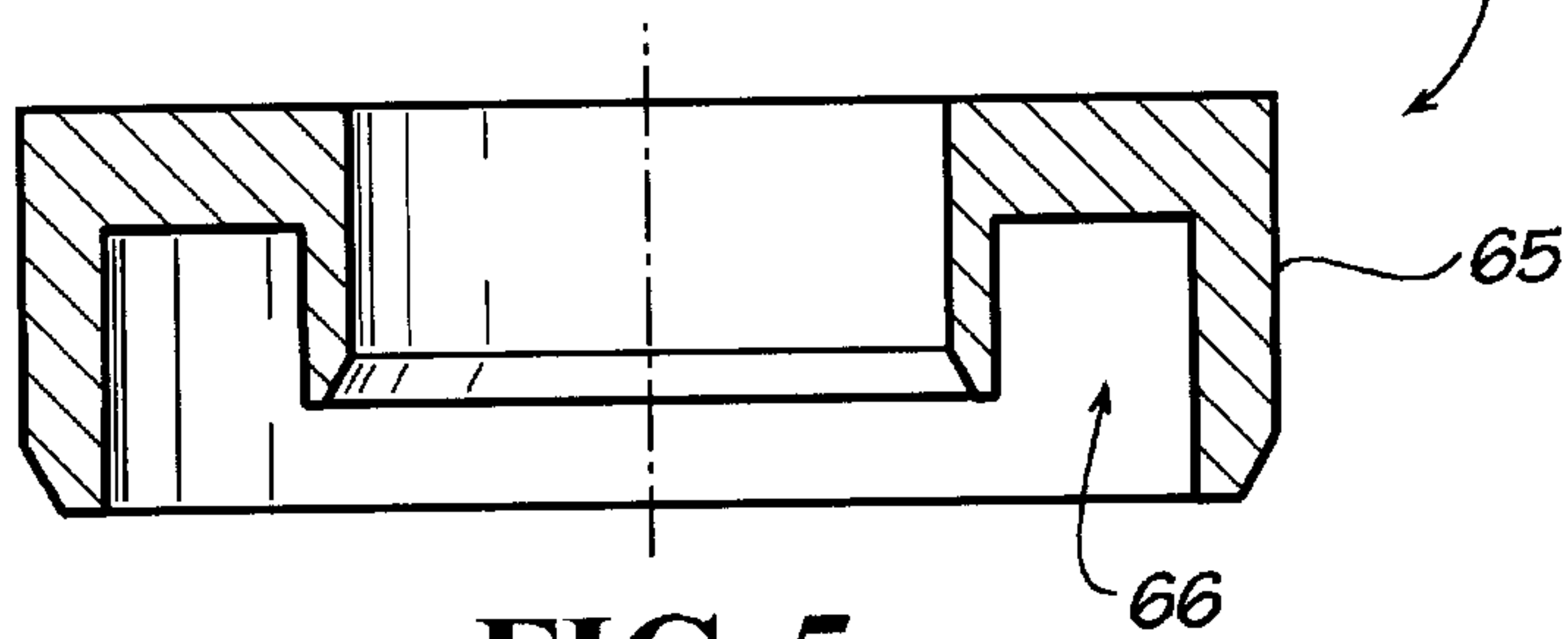


FIG. 5

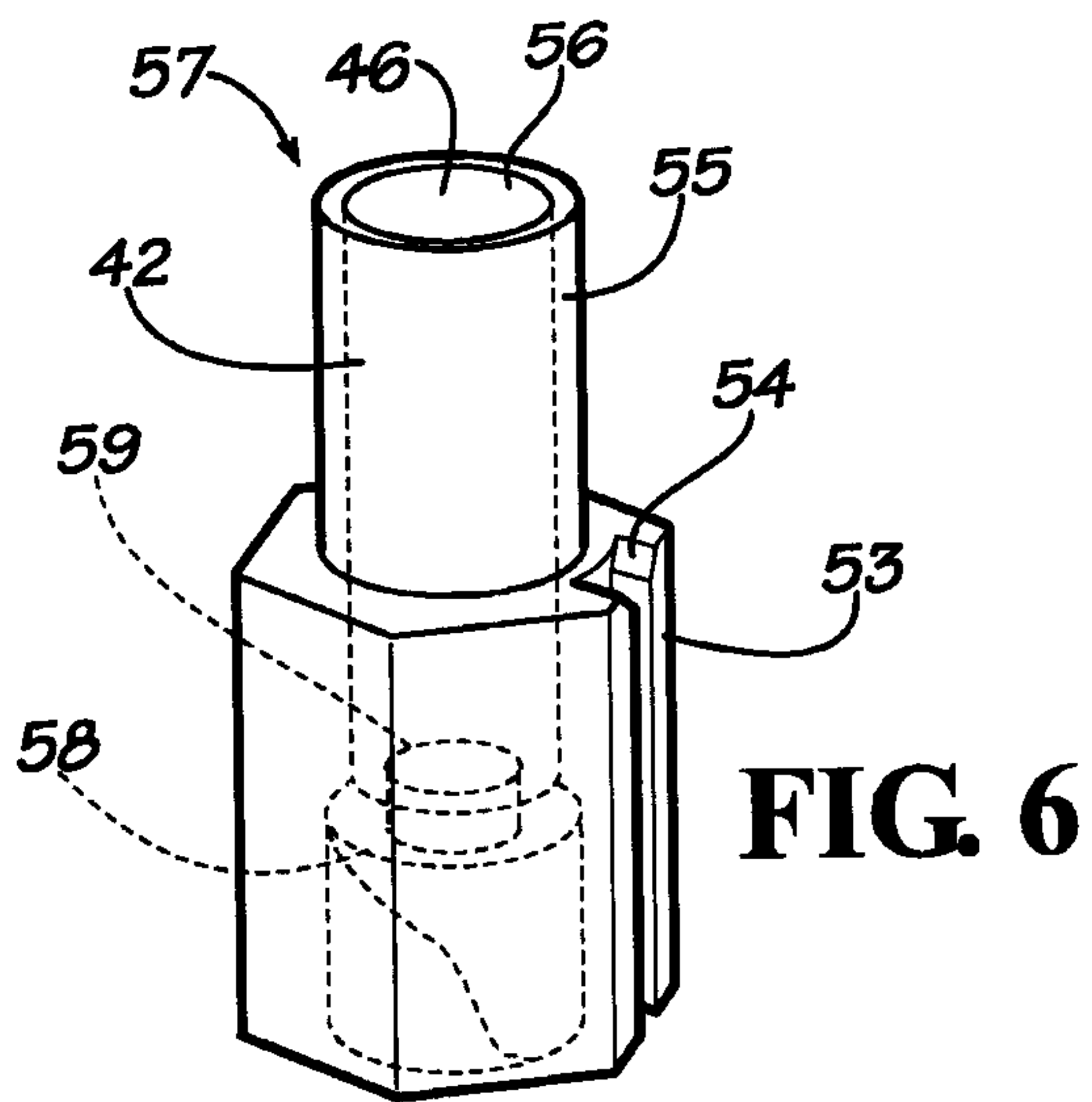


FIG. 6

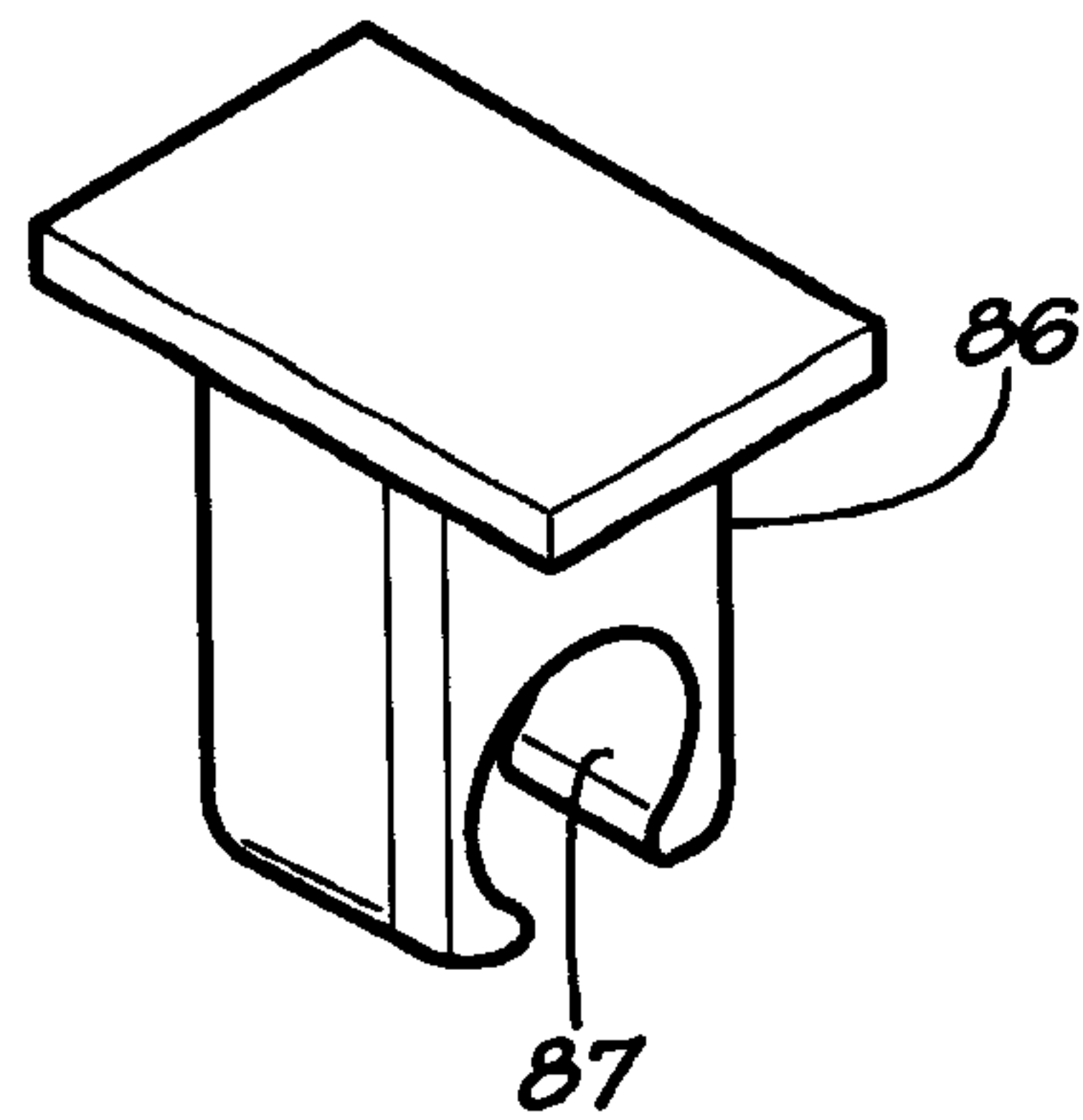


FIG. 7

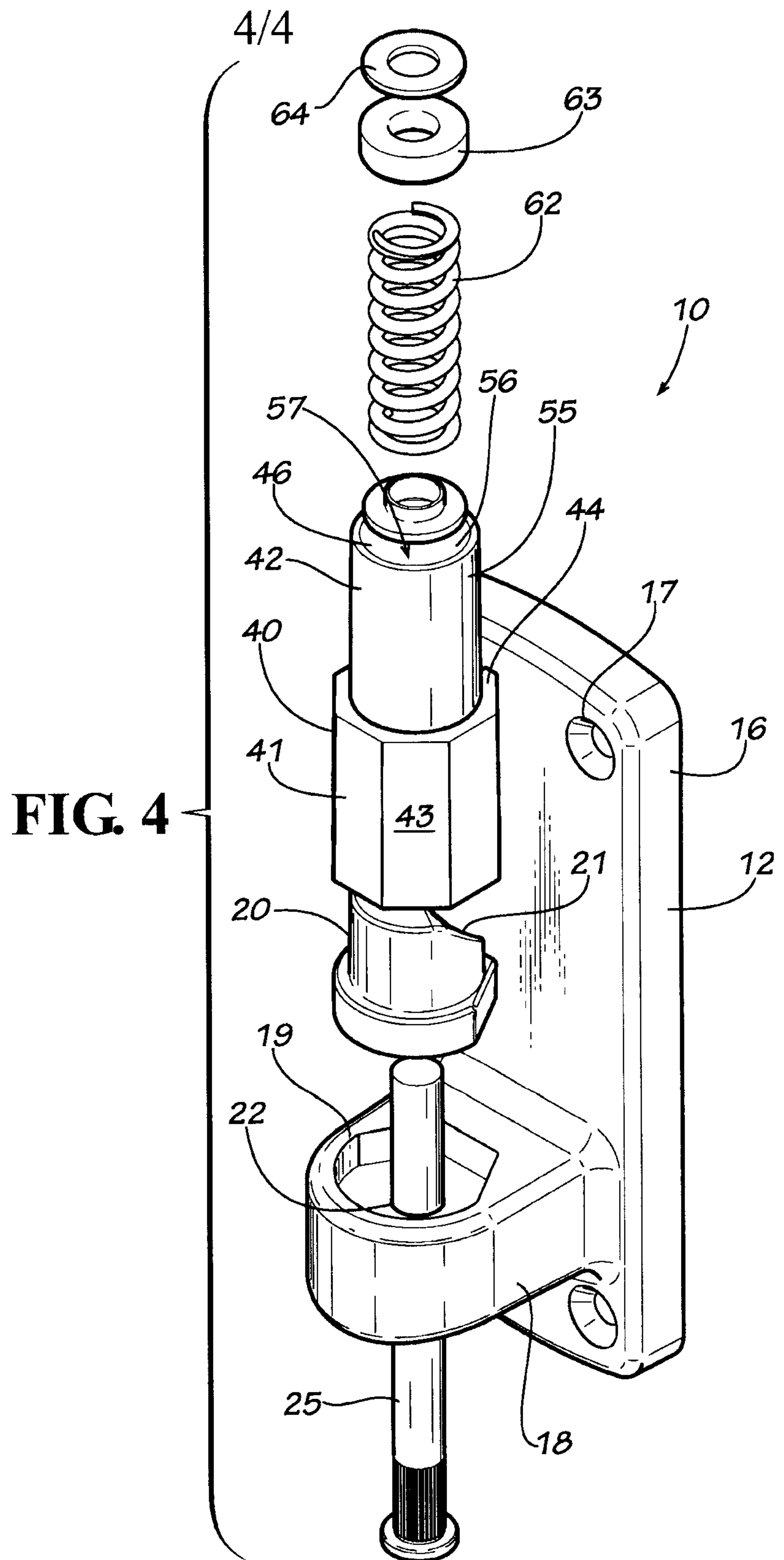


FIG. 4

