



US00D740744S

(12) **United States Design Patent**  
**Krier et al.**

(10) **Patent No.:** **US D740,744 S**

(45) **Date of Patent:** **\*\* Oct. 13, 2015**

(54) **TIRE**

(71) Applicant: **The Goodyear Tire & Rubber Company, Akron, OH (US)**

(72) Inventors: **Jean-Julien Edouard Ghislain Krier, Bastogne (BE); Christophe Henri Joseph Schyns, Rossart (BE); Jacques Collette, Bastogne (BE)**

(73) Assignee: **The Goodyear Tire & Rubber Company, Akron, OH (US)**

(\*\*) Term: **14 Years**

(21) Appl. No.: **29/482,905**

(22) Filed: **Feb. 24, 2014**

(51) **LOC (10) Cl.** ..... **12-15**

(52) **U.S. Cl.**

USPC ..... **D12/583**

(58) **Field of Classification Search**

USPC ..... D12/568-603; 152/209.1-209.9

CPC ..... B60C 1/00; B60C 11/00; B60C 11/03

See application file for complete search history.

(56) **References Cited**

**U.S. PATENT DOCUMENTS**

D384,611 S	10/1997	Harden, Jr. ....	D12/146
D385,520 S	10/1997	Scheuren et al. ....	D12/147
D395,414 S	6/1998	Grosskopf et al. ....	D12/147
D425,457 S *	5/2000	Gillard et al. ....	D12/596
D427,552 S	7/2000	Young ..... ..	D12/147
D432,960 S *	10/2000	Feider et al. ....	D12/602
D444,430 S	7/2001	Welbes et al. ....	D12/147
D458,588 S	6/2002	Welbes ..... ..	D12/603
D473,513 S	4/2003	Welbes ..... ..	D12/588
D489,037 S *	4/2004	Irimiya ..... ..	D12/553
D493,415 S	7/2004	Noailly ..... ..	D12/579
D501,446 S *	2/2005	Wage ..... ..	D12/583
D502,683 S	3/2005	Pang et al. ....	D12/602
D512,684 S *	12/2005	Robert ..... ..	D12/583
D514,504 S *	2/2006	Robert ..... ..	D12/583

D517,472 S *	3/2006	Allison ..... ..	D12/602
D545,266 S *	6/2007	Yamura ..... ..	D12/584
D559,773 S	1/2008	Campana ..... ..	D12/579
D570,767 S	6/2008	Miyazaki et al. ....	D12/579
D583,312 S	12/2008	Murphy et al. ....	D12/602
D589,436 S	3/2009	Beha et al. ....	D12/579
D591,223 S	4/2009	Missik-Gaffney et al. ..	D12/584
D592,589 S	5/2009	Dixon et al. ....	D12/600
D598,369 S *	8/2009	Beha ..... ..	D12/583
D598,370 S	8/2009	Beha ..... ..	D12/602
D601,086 S	9/2009	Maus et al. ....	D12/602

(Continued)

*Primary Examiner* — George D Kirschbaum

*Assistant Examiner* — Natasha Vujcic

(74) *Attorney, Agent, or Firm* — Richard B. O’Planick

(57) **CLAIM**

The ornamental design for a tire, as shown and described.

**DESCRIPTION**

FIG. 1 is a perspective view of a tire showing our new design, it being understood that the pattern repeats uniformly throughout the circumference of the tread;

FIG. 2 is a front elevational view thereof;

FIG. 3 is a right side elevational view thereof; the opposite side elevational view being identical thereto;

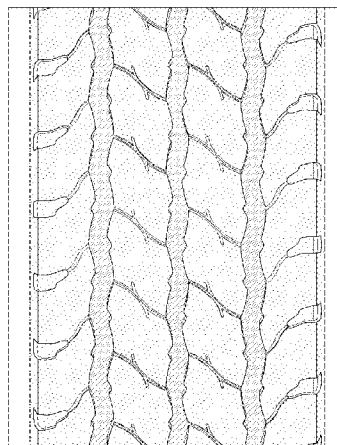
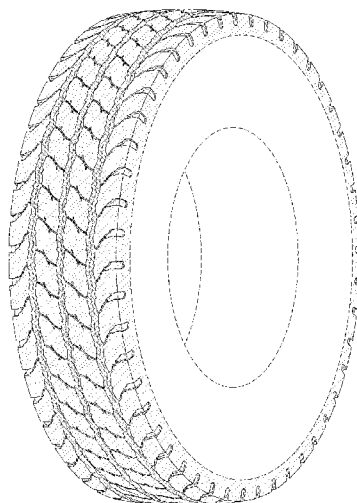
FIG. 4 is an enlarged fragmentary front elevational view thereof;

FIG. 5 is a perspective view of a second embodiment of a tire showing our new design, it being understood that the pattern repeats uniformly throughout the circumference of the tread and that the opposite side view is identical thereto; and,

FIG. 6 is a front elevational view of a second embodiment, it being understood that an enlarged fragmentary view thereof would be substantially identical to that shown in FIG. 4, with the exception of the inclusion of the sidewall in solid lines.

In the drawings, the broken lines showing of the sidewall, inner bead and the peripheral boundary between the tire tread and the sidewall in FIGS. 1 through 4 depict environmental subject matter and form no part of the claimed design.

**1 Claim, 6 Drawing Sheets**



(56)

**References Cited**

U.S. PATENT DOCUMENTS

D614,122 S	4/2010	Seibert .....	D12/600	D637,152 S	5/2011	Maus et al. ....	D12/602
D622,211 S	8/2010	Maus et al. ....	D12/579	D641,314 S	7/2011	Strader et al. ....	D12/602
D624,490 S *	9/2010	Kaji .....	D12/602	D660,224 S	5/2012	Takahashi .....	D12/602
D631,002 S	1/2011	Cazin-Bourguignon et al. ....	D12/602	D674,742 S	1/2013	Krier et al. ....	D12/598
				D678,831 S	3/2013	Hermann et al. ....	D12/579
				D686,566 S	7/2013	Maus et al. ....	D12/594
				D726,644 S *	4/2015	Kuwahara .....	D12/602
				D728,465 S *	5/2015	Kuwahara .....	D12/600

\* cited by examiner

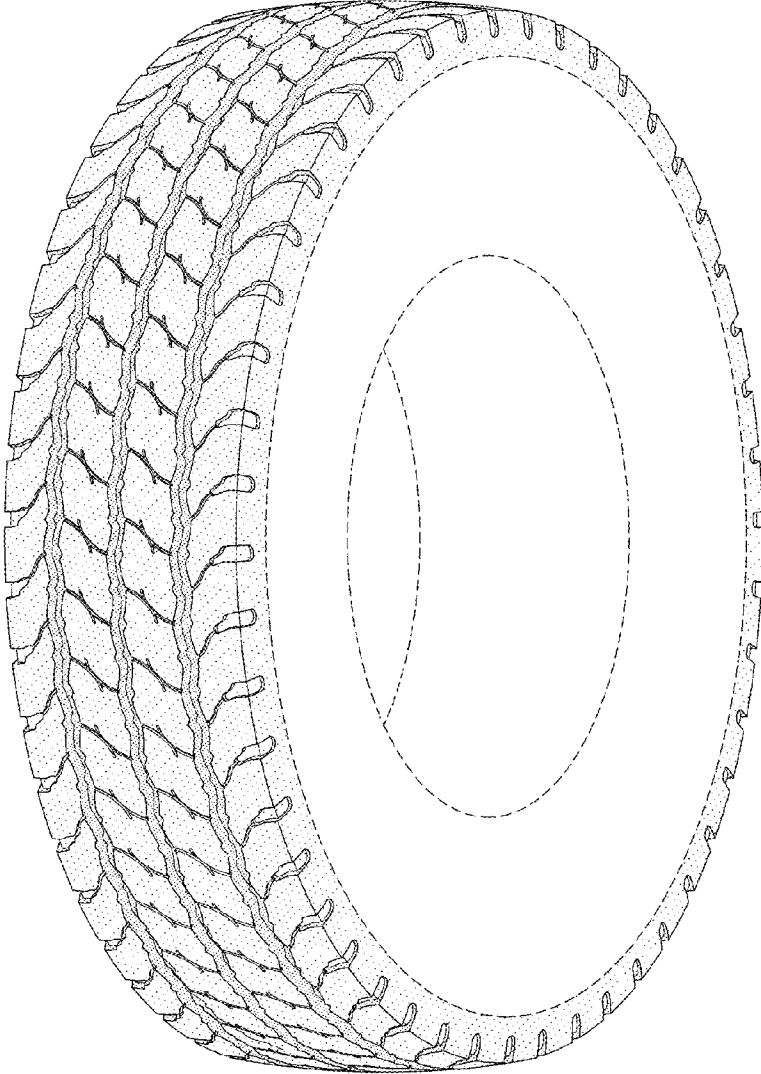


FIG-1

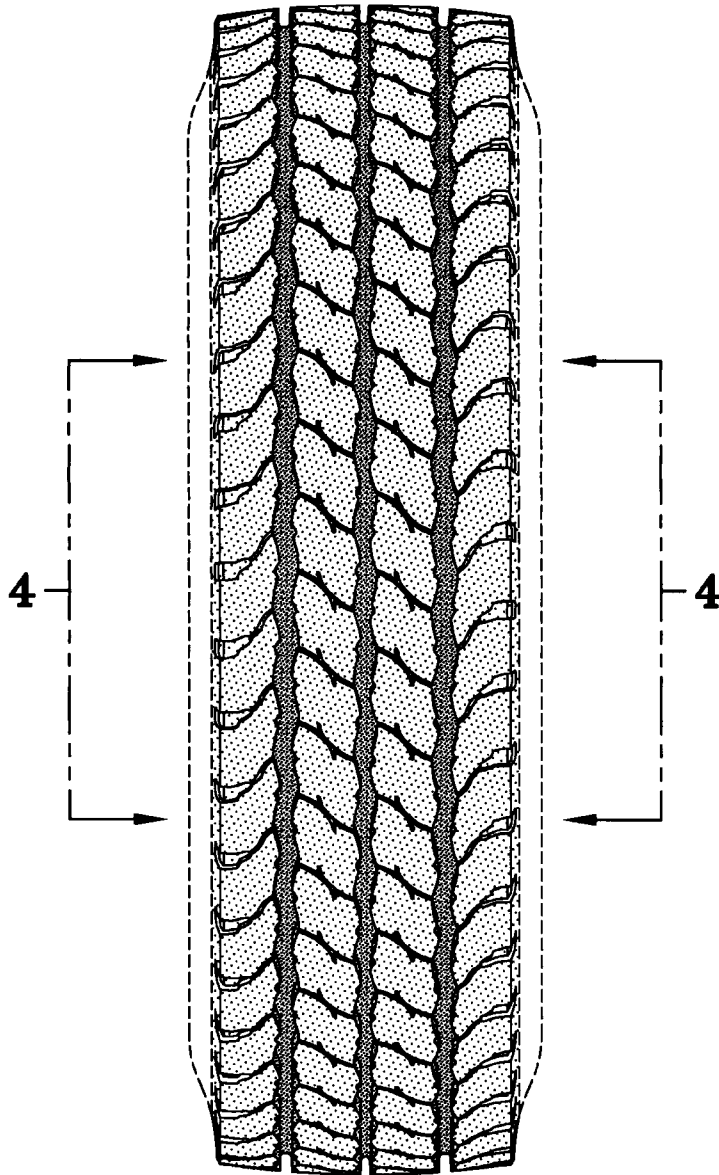


FIG-2

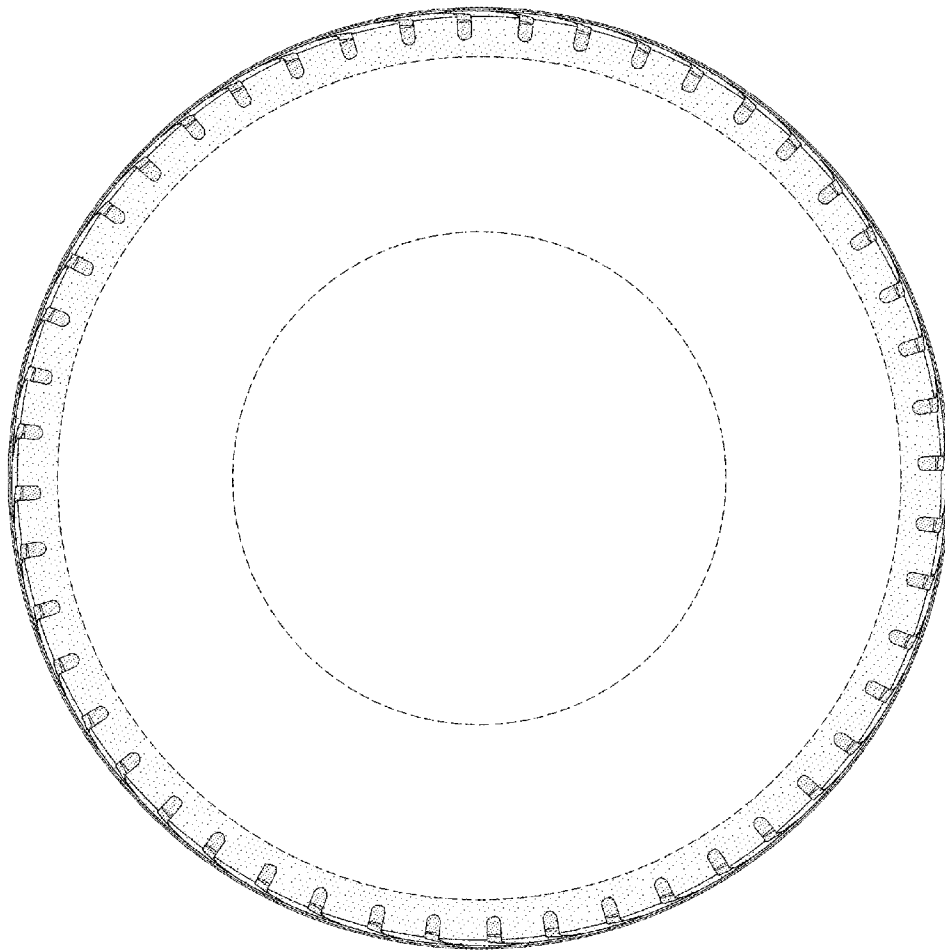


FIG-3

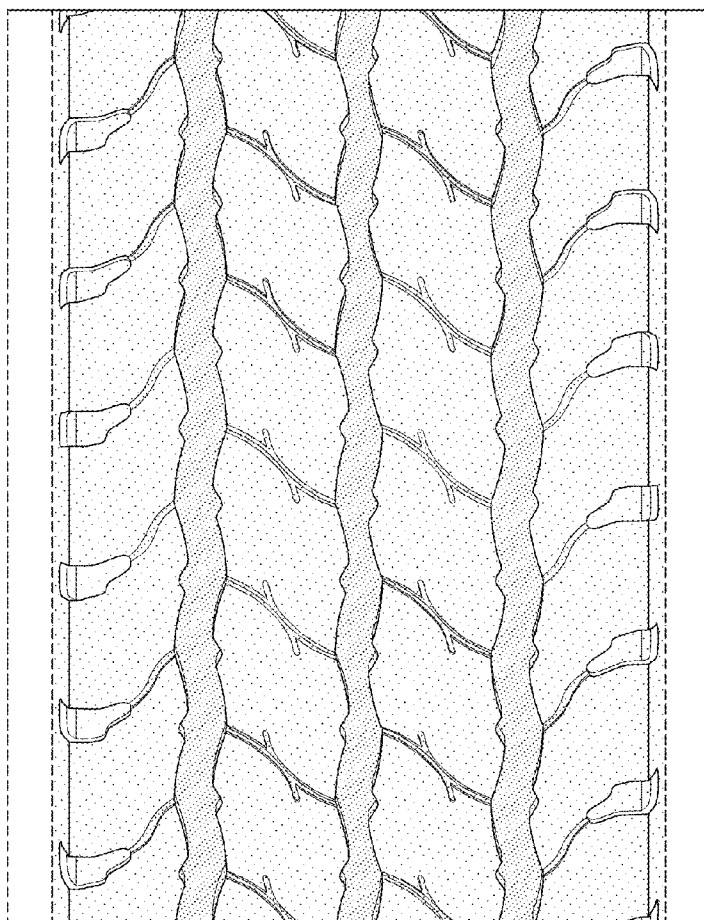


FIG-4

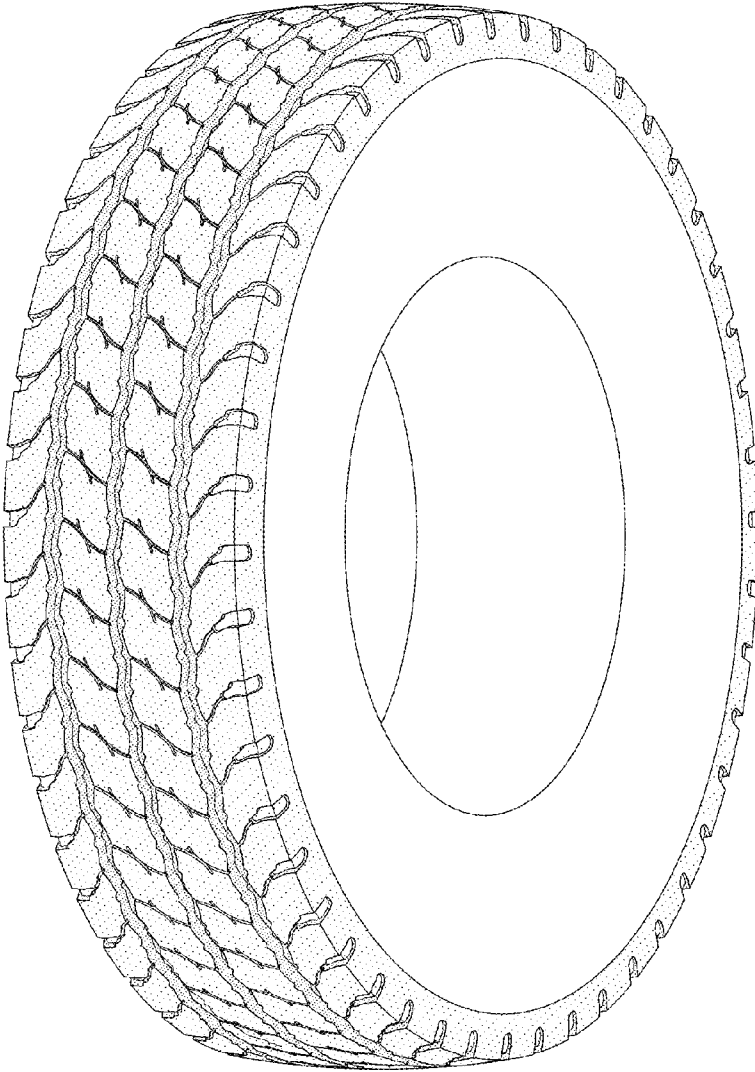


FIG-5

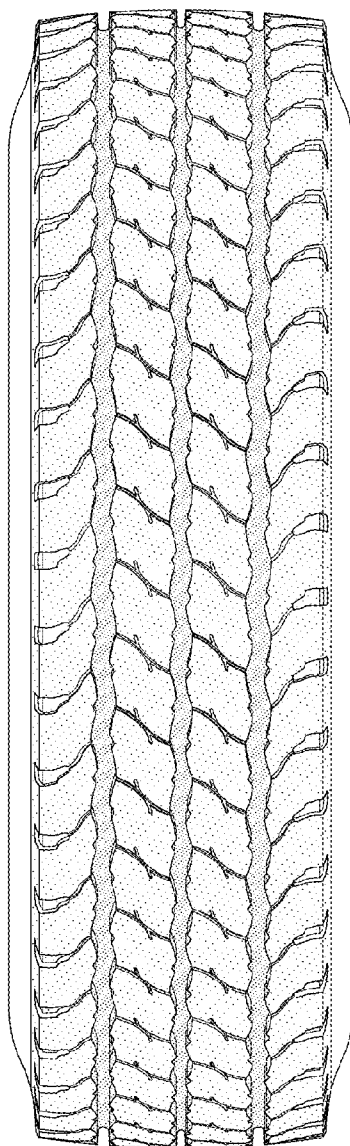


FIG-6