



(12) **United States Design Patent**
Astin

(10) **Patent No.:** **US D763,547 S**
(45) **Date of Patent:** **** Aug. 16, 2016**

(54) **RESILIENT PHALLUS RETENTION**
APERTURE

(71) Applicant: **Cole Astin**, Los Angeles, CA (US)

(72) Inventor: **Cole Astin**, Los Angeles, CA (US)

(**) Term: **15 Years**

(21) Appl. No.: **29/530,283**

(22) Filed: **Jun. 15, 2015**

(51) **LOC (10) Cl.** **02-01**

(52) **U.S. Cl.**
USPC **D2/712**

(58) **Field of Classification Search**
USPC D2/712, 713, 714, 715, 716, 626, 640;
D24/121, 122, 123, 127, 128, 129, 130
CPC A41B 9/00; A41B 9/001; A41B 9/02;
A41B 9/004; A41B 17/00; A41B 2500/50;
A41B 1/08; A41B 9/023; A41B 9/04; A41B
13/04

See application file for complete search history.

(56) **References Cited**

U.S. PATENT DOCUMENTS

496,747 A	5/1893	Polock
745,264 A	11/1903	Todd
1,020,588 A	3/1912	West et al.
1,343,038 A	6/1920	Czechowicz
1,477,187 A	12/1923	Rayne
2,114,634 A	4/1938	Jean et al.
2,264,934 A	12/1941	Cronk
2,266,062 A	12/1941	Montmarquet
2,686,517 A	8/1954	Boyd et al.
4,195,630 A	4/1980	Connery
D268,454 S	4/1983	Novo
4,471,772 A	9/1984	Miller, Jr.
4,488,541 A	12/1984	Garcia

(Continued)

FOREIGN PATENT DOCUMENTS

GB	2055885	4/1997
GB	2055887	4/1997

OTHER PUBLICATIONS

<https://www.susans.org/forums/index.php?topic=173349.0>—Published Sep. 14, 2014.*

(Continued)

Primary Examiner — Manpreet Matharu

Assistant Examiner — Mojtaba Tehrani

(74) *Attorney, Agent, or Firm* — Thomas P. O’Connell;
O’Connell Law Firm

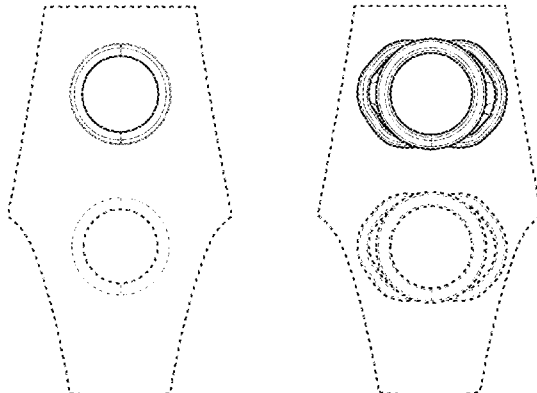
(57) **CLAIM**

I claim the ornamental design for a resilient phallus retention aperture, as shown and described.

DESCRIPTION

FIG. 1 is a rear elevation view of the resilient phallus retention aperture showing my new design;
 FIG. 2 is a rear elevation view thereof in condition of use;
 FIG. 3 is a perspective view thereof;
 FIG. 4 is a left side elevation view thereof;
 FIG. 5 is a front elevation view thereof incorporated within a double aperture brief harness;
 FIG. 6 is a rear elevation view thereof incorporated within a double aperture brief harness;
 FIG. 7 is a front elevation view thereof incorporated within a double aperture harness panel;
 FIG. 8 is a rear elevation view thereof incorporated within a double aperture harness panel;
 FIG. 9 is a rear perspective view thereof in condition of use incorporated within a double aperture brief harness retaining a phallus; and,
 FIG. 10 is a rear elevation view thereof incorporated within a double aperture boxer brief harness.
 The broken lines in the drawings represent unclaimed environment only and form no part of the claimed design.

1 Claim, 7 Drawing Sheets



(56)

References Cited

U.S. PATENT DOCUMENTS

D281,013 S 10/1985 Doyel
 4,622,962 A 11/1986 Kauffman
 4,660,551 A * 4/1987 Nishimura A61F 5/40
 2/405
 4,713,066 A 12/1987 Komis
 4,724,829 A 2/1988 Knapps
 4,759,355 A * 7/1988 Thrower A61F 5/40
 2/405
 4,961,419 A 10/1990 Tribble
 4,967,768 A 11/1990 Tatro
 4,989,592 A 2/1991 Chang
 5,103,810 A 4/1992 Chang
 5,172,430 A 12/1992 Lerma-Solis
 5,226,179 A 7/1993 Choi
 5,318,043 A * 6/1994 Burr A61F 6/04
 128/844
 5,346,483 A 9/1994 Thaxton, Sr.
 D378,947 S 4/1997 Desmond
 5,630,232 A 5/1997 Miller et al.
 D380,547 S * 7/1997 Carlsen D24/105
 5,727,568 A 3/1998 Kiser
 D399,987 S 10/1998 Bradley
 D401,341 S 11/1998 Poubouridis
 5,870,779 A 2/1999 Heron
 5,875,495 A * 3/1999 Thrower D04B 1/243
 2/236
 5,893,827 A 4/1999 Jaquez et al.
 D410,959 S 6/1999 Van Laar
 5,984,910 A * 11/1999 Berke A41B 9/023
 128/854
 6,123,664 A 9/2000 Ard
 6,245,036 B1 6/2001 McRoberts et al.
 D444,616 S 7/2001 Khan
 6,319,194 B1 * 11/2001 Wulf A61F 5/41
 600/41
 6,332,862 B1 12/2001 Zandman
 D452,946 S 1/2002 Kim
 D453,259 S 2/2002 Kim
 6,473,908 B1 11/2002 Bontems
 D472,365 S 4/2003 Milien
 6,547,717 B1 4/2003 Green et al.
 6,662,378 B2 12/2003 Vartanyan
 6,817,992 B1 11/2004 Sassak et al.
 6,849,041 B2 2/2005 Astin
 6,901,607 B1 6/2005 Elwell
 D509,945 S 9/2005 Ogle
 7,032,249 B2 4/2006 Smith
 7,676,853 B1 3/2010 Cutlip
 7,762,262 B1 7/2010 Granja
 D632,459 S 2/2011 Smith
 D640,040 S 6/2011 Martin
 D646,462 S 10/2011 Ellis et al.
 D651,377 S * 1/2012 Weaver D2/712
 D652,944 S 1/2012 deMouchet
 8,108,950 B1 2/2012 Bowersox-Evans
 8,109,869 B2 2/2012 Beaulieu
 D656,708 S 4/2012 Ellis
 D660,551 S * 5/2012 Steele D2/712
 D663,507 S 7/2012 Nguyen
 D664,326 S 7/2012 Steele

8,230,526 B2 7/2012 Holland et al.
 D679,067 S 4/2013 Costanzo
 D683,863 S * 6/2013 Astin D24/215
 D709,266 S 7/2014 Astin
 D716,019 S 10/2014 Astin
 D716,524 S 11/2014 Astin
 D716,525 S 11/2014 Astin
 8,997,264 B2 4/2015 Steele
 D748,893 S * 2/2016 Astin D2/712
 D748,894 S * 2/2016 Astin D2/712
 2006/0277649 A1 12/2006 Smith
 2007/0277285 A1 12/2007 Gravette et al.
 2008/0109945 A1 5/2008 Xia
 2010/0041943 A1 2/2010 Hovland et al.
 2010/0058517 A1 3/2010 Perolari
 2010/0300453 A1 12/2010 Wells
 2011/0009691 A1 1/2011 Stevens
 2011/0054251 A1 3/2011 Staffolani
 2012/0178990 A1 * 7/2012 Astin A61H 19/00
 600/41
 2012/0255102 A1 10/2012 Soderstrom
 2012/0260404 A1 10/2012 Steele
 2013/0000013 A1 1/2013 Schifone
 2013/0191971 A1 8/2013 Collins

OTHER PUBLICATIONS

http://www.amazon.com/SpareParts-Hardware-Washable-Adjustable-Harness/dp/B004LV1HT2/ref=sr_1_2_a_it?ie=UTF8&qid=1456791568&sr=8-2&keywords=penis+harness_Downloaded Feb. 29, 2016.*
http://www.amazon.com/WenMei-LINGERIE-POUCH-THONG-BRIEF/dp/B00MTKMDK/ref=sr_1_10?ie=UTF8&qid=1456799308&sr=8-10&keywords=wenmei+men%27s—Downloaded Feb. 29, 2016.*
 Spicy Lingerie Inc., Panties Thongs, website address: <http://www.spicylingerie.com/panties-thongs.html>, Spicy Lingerie, Inc., Ontario, CA, USA, Mar. 26, 2014.
 JT'S Stockroom, Bootie Cleavage Brief, website address: <http://www.stockroom.com/Bootie-Cleavage-Brief-P2132.aspx>, JT's Stockroom, Los Angeles, CA, USA, Mar. 26, 2014.
 Liberator, Inc., Valkyrie Two-Strap Harness, website address: <http://www.liberator.com/valkyrie-two-strap-harness.html>, Liberator, Inc., Atlanta, GA, USA, Mar. 26, 2014.
 Liberator, Inc., Valkyrie Bow Panty Harness, website address: <http://www.liberator.com/valkyrie-bow-panty-harness.html>, Liberator, Inc., Atlanta, GA, USA, Mar. 26, 2014.
 Stashitware, Pocket Underwear, website address: http://www.stashitware.com/Pocket_Brief.html, Stashitware LLC, Inc., Location unknown, Mar. 26, 2014.
 RodeoH Collection, website address: <http://rodeoh.com/shop.html#!/RodeoH-Collection/c/13413056/offset=0...>, RodeoH, LLC, San Francisco, CA, USA, Jun. 25, 2015.
 RodeoH Panty, website address: <http://rodeoh.com/shop.html#!/Panty/c/12367134/offset=0&sort=normal>, RodeoH, LLC, San Francisco, CA, USA, Jun. 25, 2015.
 RodeoH Underwear/Packers, website address: <http://rodeoh.com/shop.html#!/Underwear-Packers/c/11757175/offset=0...>, RodeoH, LLC, San Francisco, CA, USA, Jun. 25, 2015.

* cited by examiner

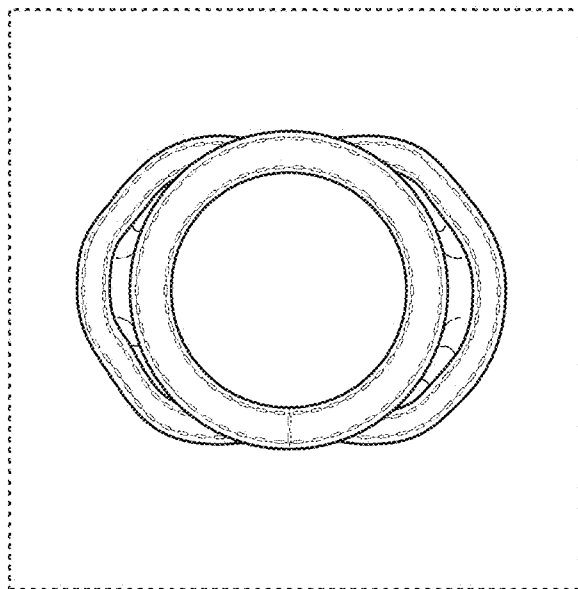


FIG. 1

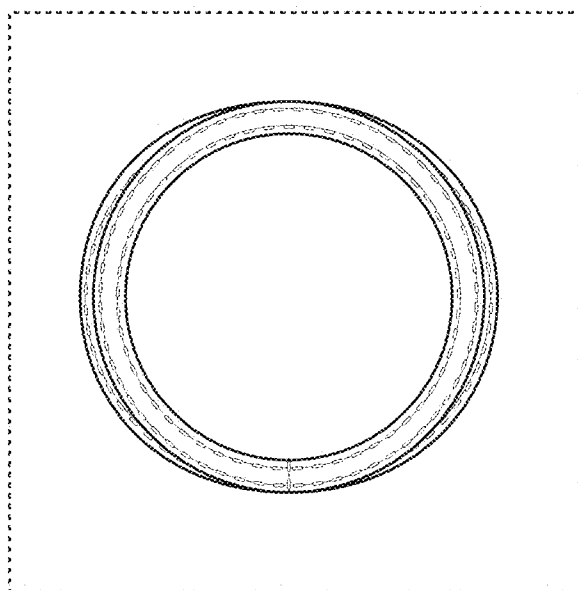


FIG. 2

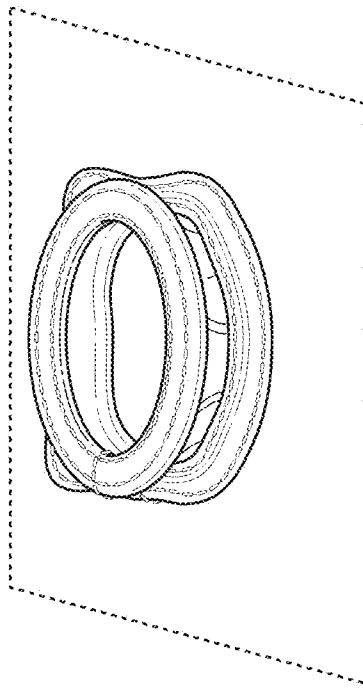


FIG. 3

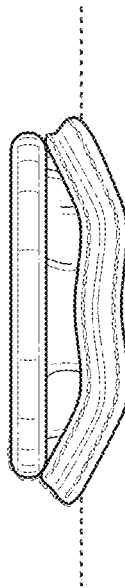


FIG. 4

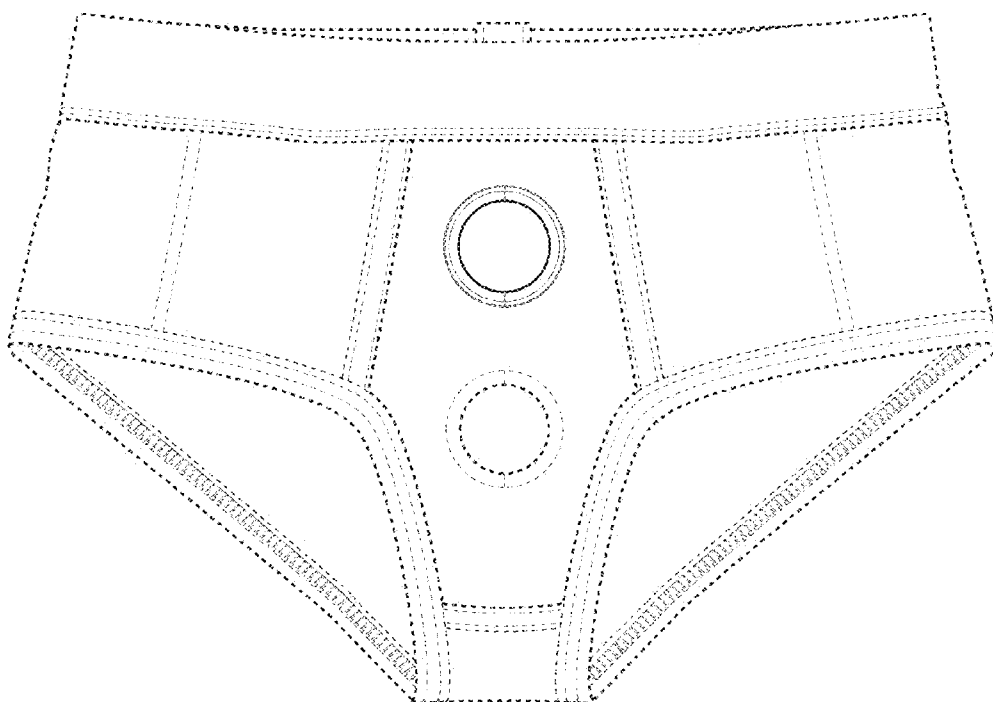


FIG. 5

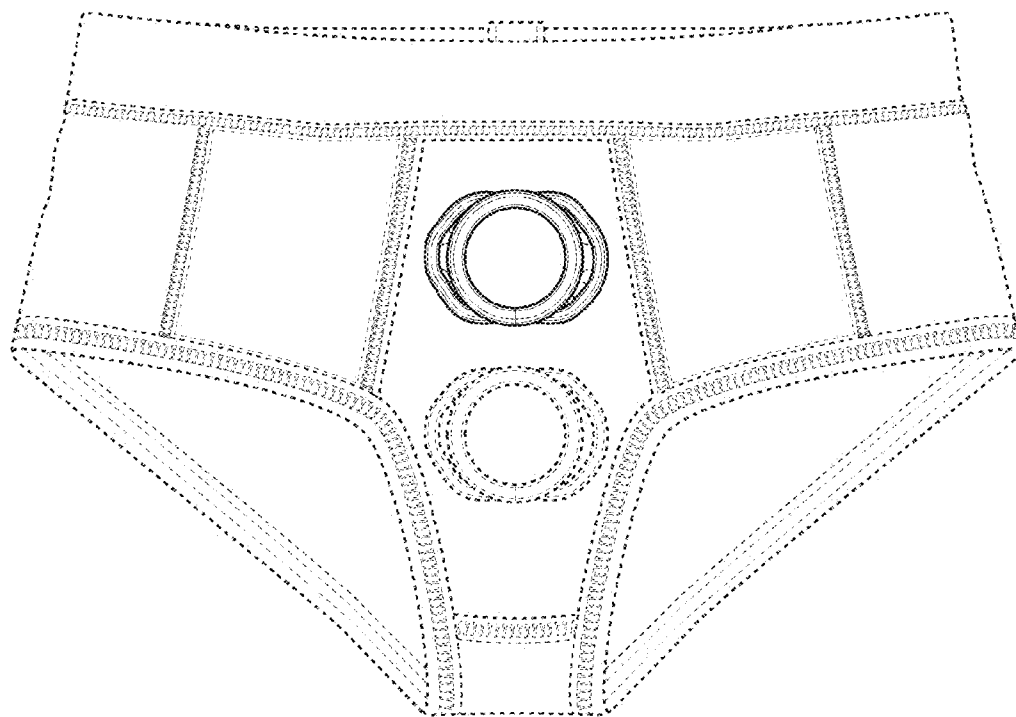


FIG. 6

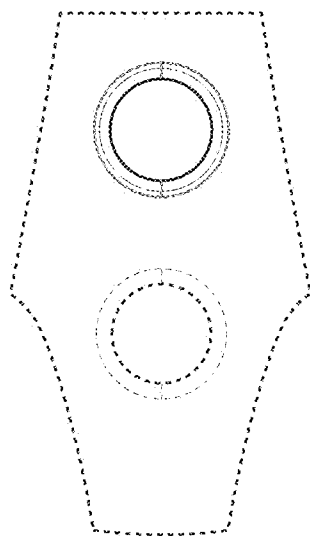


FIG. 7

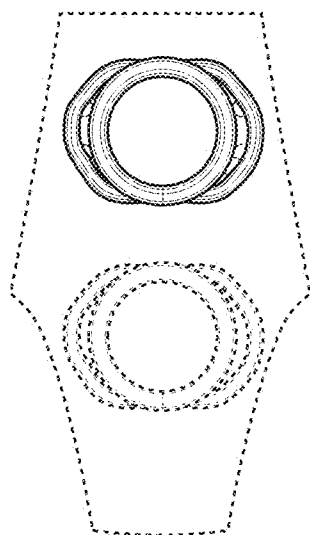


FIG. 8

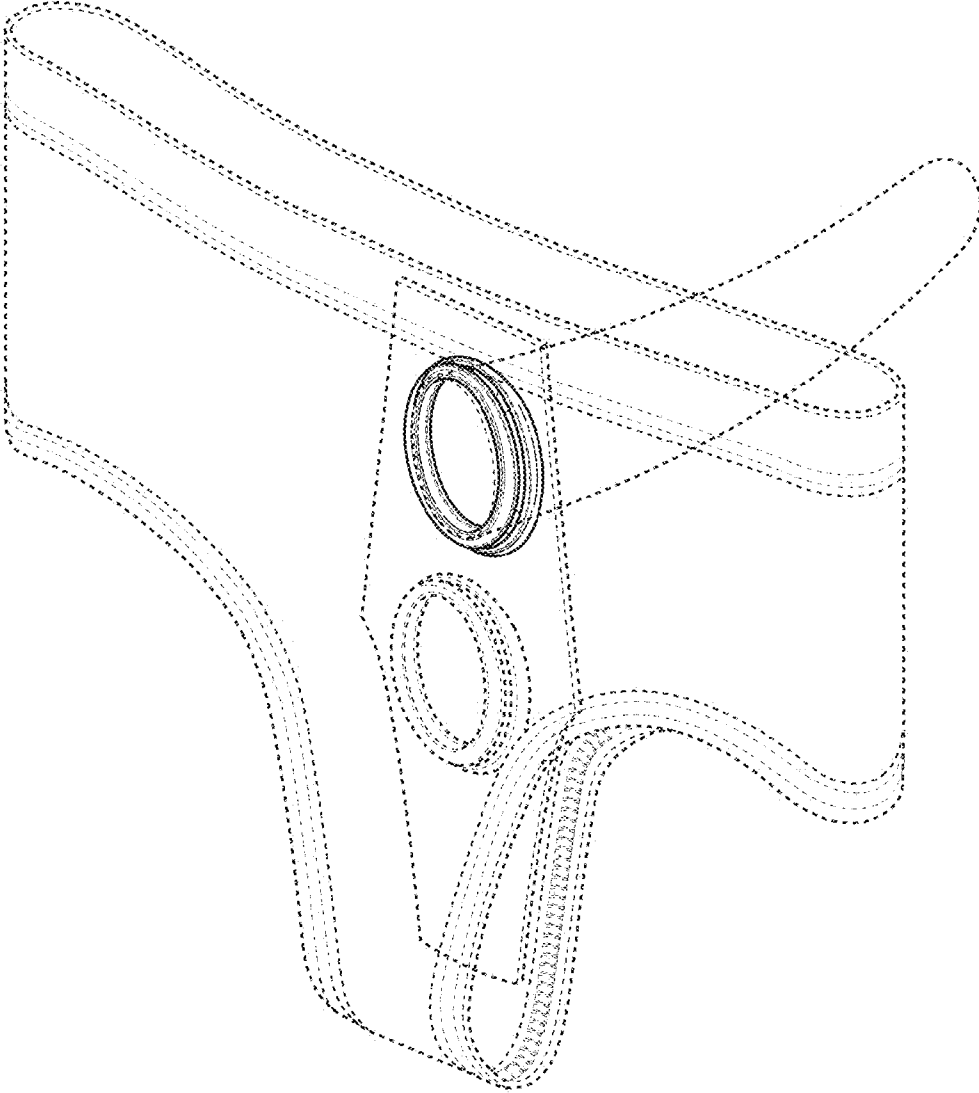


FIG. 9

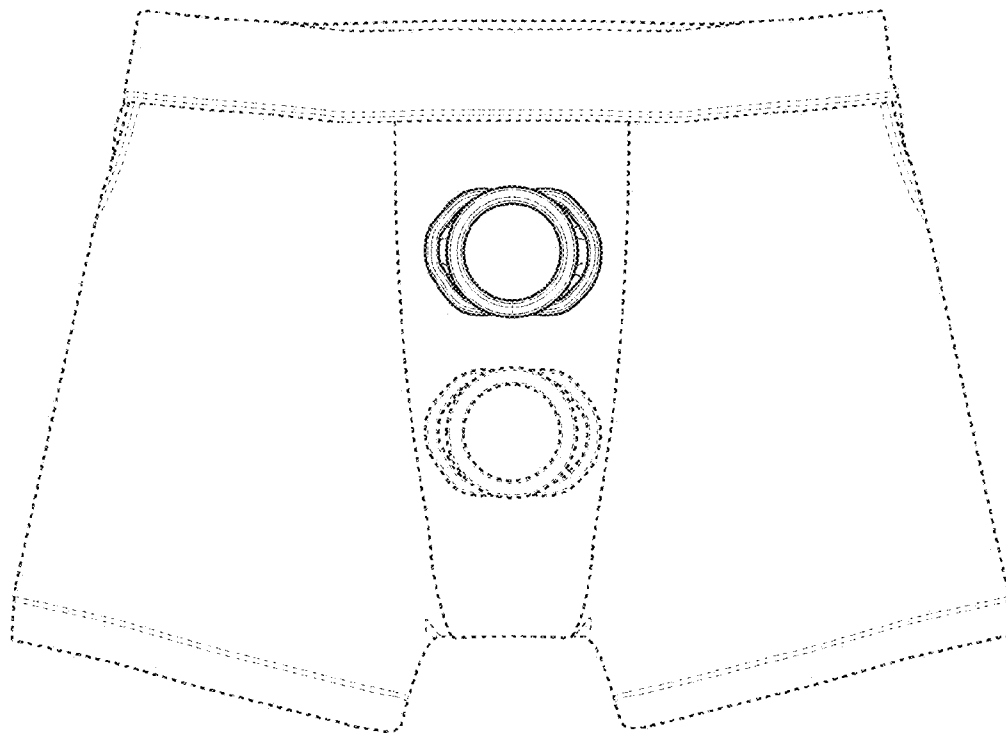


FIG. 10