

(19) World Intellectual Property  
Organization  
International Bureau



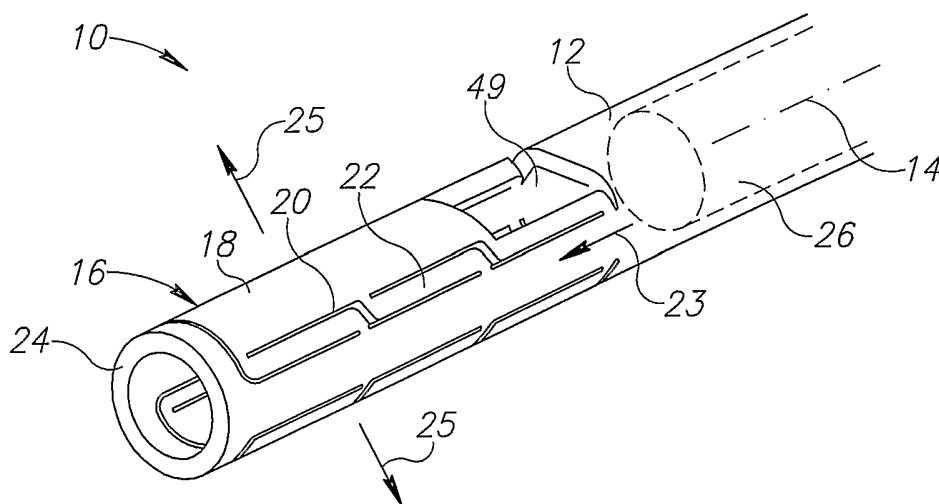
(43) International Publication Date  
20 October 2005 (20.10.2005)

PCT

(10) International Publication Number  
**WO 2005/096975 A2**

- (51) International Patent Classification<sup>7</sup>: **A61B 17/72**
- (21) International Application Number:  
PCT/IL2005/000375
- (22) International Filing Date: 5 April 2005 (05.04.2005)
- (25) Filing Language: English
- (26) Publication Language: English
- (30) Priority Data:  
10/816,809 5 April 2004 (05.04.2004) US
- (71) Applicant (for all designated States except US): **EXPANDING ORTHOPEDICS INC.** [IL/IL]; 34 Etzion Street, 43563 Raanana (IL).
- (72) Inventors; and
- (75) Inventors/Applicants (for US only): **LEVY, Mark, M.** [IL/IL]; 34 Etzion Street, 43563 Raanana (IL). **GREENBERG, Ilan** [IL/IL]; 15 Geula Street, 33198 Haifa (IL).
- (74) Agent: **KLEIN, David**; Beit HaRo'fim, 18 Menuha VeNahala Street, Room 27, 76209 Rehovot (IL).
- (81) Designated States (unless otherwise indicated, for every kind of national protection available): AE, AG, AL, AM, AT, AU, AZ, BA, BB, BG, BR, BW, BY, BZ, CA, CH, CN, CO, CR, CU, CZ, DE, DK, DM, DZ, EC, EE, EG, ES, FI, GB, GD, GE, GH, GM, HR, HU, ID, IL, IN, IS, JP, KE, KG, KM, KP, KR, KZ, LC, LK, LR, LS, LT, LU, LV, MA, MD, MG, MK, MN, MW, MX, MZ, NA, NI, NO, NZ, OM, PG, PH, PL, PT, RO, RU, SC, SD, SE, SG, SK, SL, SM, SY, TJ, TM, TN, TR, TT, TZ, UA, UG, US, UZ, VC, VN, YU, ZA, ZM, ZW.
- (84) Designated States (unless otherwise indicated, for every kind of regional protection available): ARIPO (BW, GH, GM, KE, LS, MW, MZ, NA, SD, SL, SZ, TZ, UG, ZM, ZW), Eurasian (AM, AZ, BY, KG, KZ, MD, RU, TJ, TM), European (AT, BE, BG, CH, CY, CZ, DE, DK, EE, ES, FI, FR, GB, GR, HU, IE, IS, IT, LT, LU, MC, NL, PL, PT, RO, SE, SI, SK, TR), OAPI (BF, BJ, CF, CG, CI, CM, GA, GN, GQ, GW, ML, MR, NE, SN, TD, TG).
- Published:**  
— without international search report and to be republished upon receipt of that report
- For two-letter codes and other abbreviations, refer to the "Guidance Notes on Codes and Abbreviations" appearing at the beginning of each regular issue of the PCT Gazette.

(54) Title: EXPANDABLE BONE DEVICE



(57) Abstract: An expandable bone device including a unitary body extending along a longitudinal axis and including a deformable distal end portion having a collapsed orientation for placement adjacent a spinal structure, the deformable distal end portion including relatively wide, mutually contiguous support surfaces outlined by relatively narrow cutouts, the support surfaces being contiguous with the rest of the unitary body via relatively narrow deformable splines, the deformable distal end portion having an expanded orientation wherein the support surfaces are moved transversely outwards away from and generally parallel to the longitudinal axis, and an actuator coupled to the deformable distal end portion and operative to cause movement of the deformable distal end portion between the collapsed orientation and the expanded orientation.

WO 2005/096975 A2

EXPANDABLE BONE DEVICE  
FIELD OF THE INVENTION

The present invention relates generally to expandable bone devices, such as but not limited to, devices for vertebral body reconstruction (vertebroplasty), such as for treatment of compression fractures of the thoracic and lumbar spine area, or for an expandable bone device for transversely displacing structures associated with the spine, for example.

BACKGROUND OF THE INVENTION

Various instruments and methods for the treatment of compression-type bone fractures and other osteoporotic and/or non-osteoporotic conditions have been developed. In one method, a cavity may be formed in the bone to be treated, followed by the insertion of an inflatable balloon-like device into the bone cavity. Inflation of the balloon-like device causes a compaction of the cancellous bone and/or bone marrow against the inner cortical wall of the bone, thereby resulting in enlargement of the bone cavity and/or reduction of the compression fracture. The balloon-like device is then deflated and removed from the bone cavity. A biocompatible filling material, such as methylmethacrylate cement or a synthetic bone substitute, is sometimes delivered into the bone cavity and allowed to set to a hardened condition to provide internal structural support to the bone.

An example of a balloon-expanding device is US Patent 6,127,597 to Beyar et al., which describes a bone fixture for insertion through the bore of a bone and into the intramedullary cavity. The bone fixture includes a diameter-expandable, metallic balloon tube having an exterior circumferential surface. The tube has a reduced first diameter for insertion through the bore and into the intramedullary cavity and a second expanded diameter, wherein when fluid is introduced into said bone fixture it radially increases in diameter from the reduced first diameter to the second expanded diameter.

However, it has been found that expansion of the balloon-like device is not readily controllable. Instead, when such balloon-like device is inflated, expansion occurs along a path of least resistance. As a result, the direction of compaction of the cancellous bone and/or reduction of the compression fracture is not controllable, and expansion occurs in multiple directions and along multiple axes.

Another device for treatment of the spine is described in US Patent 6,676,665 to Foley et al. This device includes an elongate member having a deformable distal end portion at least partially formed of a flexible and preferably elastic material. The distal

end portion has an initial configuration for placement adjacent a vertebral body and a deformed configuration defining at least one outwardly extending projection for displacement of at least a portion of the vertebral body. The elongate member preferably comprises a rod member, a sleeve member and an actuator mechanism for imparting relative linear displacement between the rod and sleeve members to effect outward deformation of the distal end portion of the sleeve member. In one embodiment, the instrumentation is used to compact cancellous bone to form a cavity within a vertebral body. In another embodiment, the instrumentation is used to reduce a compression fracture. In yet another embodiment, the instrumentation is used to distract a disc space between adjacent vertebral bodies.

US Patent 6,554,833 to Levy et al. describes a device for stabilizing bone, which includes a tubular body having first and second end regions defining a longitudinal axis therebetween. A plurality of splines extend from the first end region, the splines including first ends coupled to the first end region, and second ends disposed away from the first end region, the second ends being directable from a generally axial collapsed state to a substantially transverse expanded state. A plurality of support arms are coupled to the splines, and an actuator is coupled to the support arms, the actuator movable axially relative to the elongate body for causing the support arms to direct the second ends of the splines from the collapsed state to the expanded state. Optionally, the device includes another set of splines extending from the second end region or located at an intermediate region of the tubular body.

#### SUMMARY OF THE INVENTION

The present invention seeks to provide an expandable bone device, as is described in detail further hereinbelow. The expandable bone device of the invention may be described hereinbelow for use with the spine (e.g., the pedicles or spine processes and the like), but it is emphasized that the invention is not limited to the spine, and may be used for any bone, such as but not limited to, calcaneous, distal radius, upper tibia, hand bones and bone epiphysis. The invention may be used in the treatment of any bone disease, disorder or problem, such as but not limited to, fractures, prevention of trauma or fractures due to osteoporosis, endocrine, metabolic or tumoral bone diseases, AVN and trauma. The invention may be used as "scaffolding" to support bone structures, such as for filling bone structures (e.g., with cement, bone graft, bone substitutes or collagen and other materials), and may or may not be left in the bone structure, depending on the procedure used.

There is thus provided in accordance with an embodiment of the present invention an expandable bone device including a unitary body extending along a longitudinal axis and including a deformable distal end portion having a collapsed orientation for placement adjacent a spinal structure, the deformable distal end portion including relatively wide, mutually contiguous support surfaces outlined by relatively narrow cutouts, the support surfaces being contiguous with the rest of the unitary body via relatively narrow deformable splines, the deformable distal end portion having an expanded orientation wherein the support surfaces are moved transversely outwards away from and generally parallel to the longitudinal axis, and an actuator coupled to the deformable distal end portion and operative to cause movement of the deformable distal end portion between the collapsed orientation and the expanded orientation.

The expandable bone device may include one or more of the following features. For example, the support surfaces may be arranged in one or more pairs of support surfaces that expand transversely outwards in opposite directions symmetrically or non-symmetrically with respect to the longitudinal axis. Some of the narrow cutouts may be generally parallel to the longitudinal axis. Additionally or alternatively, some of the narrow cutouts may be angled at a non-zero angle with respect to the longitudinal axis. The deformable splines may be generally equally spaced or are spaced at different distances from one another along the longitudinal axis.

The unitary body may be generally cylindrical in shape. Alternatively, the unitary body may include a generally flat polygonal shape folded about a fold axis generally transverse to the longitudinal axis.

A bridge element may connect between two of the unitary bodies. The deformable distal end portion may include at least one non-smooth surface adapted to adhere to a spinal structure. The unitary body may include a non-deformable endpiece distal to the deformable distal end portion.

#### BRIEF DESCRIPTION OF THE DRAWINGS

The present invention will be understood and appreciated more fully from the following detailed description taken in conjunction with the drawings in which:

Fig. 1 is a simplified pictorial illustration of an expandable bone device, constructed and operative in accordance with an embodiment of the present invention, in a collapsed orientation, and including a non-deformable endpiece distal to a deformable distal end portion;

Fig. 2 is a simplified pictorial illustration of an expandable bone device,

constructed and operative in accordance with another embodiment of the present invention, in a collapsed orientation, and without the non-deformable endpiece;

Fig. 3A is a simplified pictorial illustration of the expandable bone device of Fig. 1 in an expanded orientation;

Fig. 3B is a simplified pictorial illustration of the expandable bone device of Fig. 2 in an expanded orientation;

Figs. 4A, 4B and 4C are simplified pictorial illustrations of the expandable bone device of Fig. 1, introduced into a vertebral body through a pedicle, respectively, in collapsed, semi-expanded and fully expanded orientations;

Figs. 4D, 4E and 4F are simplified illustrations of another version of the expandable device used as a pedicle anchoring device, in accordance with an embodiment of the present invention, in respective contracted, expanded and locked orientations;

Figs. 4G, 4H, 4I and 4J are simplified illustrations of the expandable device used as an inter-vertebral body fusion device, in accordance with an embodiment of the present invention, wherein Fig. 4G shows a partially contracted orientation and the embodiment of Fig. 4G is shown expanded in Fig. 4H, and other different versions are shown expanded in Figs. 4I and 4J;

Figs. 5A, 5B and 5C are simplified pictorial illustrations of an expandable bone device, constructed and operative in accordance with yet another embodiment of the present invention, respectively, in collapsed, semi-expanded and fully expanded orientations;

Fig. 6A is a simplified pictorial illustration of an expandable bone device, constructed and operative in accordance with still another embodiment of the present invention, in a collapsed orientation, and including a non-deformable endpiece distal to the deformable distal end portion;

Fig. 6B is a simplified pictorial illustration of an expandable bone device, constructed and operative in accordance with another embodiment of the present invention, in a collapsed orientation, and without the non-deformable endpiece;

Fig. 7A is a simplified pictorial illustration of the expandable bone device of Fig. 6A in an expanded orientation;

Fig. 7B is a simplified pictorial illustration of the expandable bone device of Fig. 6B in an expanded orientation;

Fig. 8 is a simplified pictorial illustration of an expandable bone device, constructed and operative in accordance with still another embodiment of the present

invention, in a collapsed orientation;

Figs. 9A, 9B, 10A and 10B are simplified pictorial illustrations of expandable bone devices, constructed and operative in accordance with other embodiments of the present invention, wherein the devices expand to prismatic shapes, respectively shown in contracted (Figs. 9A and 10A) and expanded (Figs. 9B and 10B) orientations; and

Figs. 11A, 11B and 11C are pictorial illustrations of the expandable bone device of Fig. 1 with different actuators that may move the deformable distal end portion between collapsed and expanded orientations, in accordance with different embodiments of the present invention.

#### DETAILED DESCRIPTION OF EMBODIMENTS

Reference is now made to Fig. 1, which illustrates an expandable bone device 10, constructed and operative in accordance with an embodiment of the present invention.

The expandable bone device 10 may include a unitary body 12 extending along a longitudinal axis 14. Device 10 may include a deformable distal end portion 16 having a collapsed orientation for placement adjacent a spinal structure. The deformable distal end portion 16 may include relatively wide, mutually contiguous support surfaces 18 outlined by relatively narrow cutouts 20. The support surfaces 18 are contiguous with the rest of the unitary body 12 via relatively narrow deformable splines 22.

In the illustrated, non-limiting embodiment of Fig. 1, unitary body 12 may be generally cylindrical in shape (although any other shape is also in the scope of the invention) and may include a non-deformable endpiece 24 distal to the deformable distal end portion 16. The non-deformable endpiece 24 may be a ring contiguous with the rest of the unitary body 12. One or more of the support surfaces 18 may be non-smooth for enhancing adhesion to spinal structure. Additionally or alternatively, one or more of the support surfaces 18 may be coated with a material that enhances adhesion with bone, such as but not limited to, hydroxyapatite. The support surfaces in the illustrated embodiments are arcuate (following the contour of the cylindrical shape) but may be any other shape and size as well.

The expandable bone device 10 may be constructed, without limitation, of medically safe metals (e.g., stainless steel, shape memory alloys, such as NITINOL) or plastics, including resorbable materials and shape memory polymers.

As seen in Fig. 1, some of the narrow cutouts 20 may be generally parallel to the longitudinal axis 14. Additionally or alternatively, some of the narrow cutouts 20 may be angled at a non-zero angle with respect to the longitudinal axis 14. The deformable

splines 22 may be generally equally spaced or are spaced at different distances from one another along the longitudinal axis 14.

Fig. 1 illustrates a version of the expandable bone device 10 including the endpiece 24. Fig. 2 illustrates another non-limiting version of expandable bone device 10, referred to as expandable bone device 10', without the non-deformable endpiece 24. Both Figs. 1 and 2 illustrate the expandable bone device in a collapsed orientation.

An actuator 26 may be coupled to the deformable distal end portion 16. The actuator 26 may effect movement of the deformable distal end portion 16 between the collapsed orientation and the expanded orientation. Without limitation, the actuator 26 may be similar to the actuator (also referred to as the elongate control member) shown and described with reference to the embodiment of Figs. 12-15D in US Patent 6,554,833. For example, the actuator 26 may be a threaded rod that mates with internal threads formed in the unitary body 12. Rotation of the threaded rod may advance the rod distally towards the deformable distal end portion 16, as indicated by arrow 23. The threaded rod wedges into the deformable distal end portion 16 and causes the support surfaces to move transversely outwards away from and generally parallel to the longitudinal axis 14, as indicated by arrows 25, to an expanded orientation. Fig. 3A and Fig. 3B illustrate the expandable bone devices 10 and 10', respectively, in the expanded orientations.

It is emphasized that the invention is not limited to the above-described actuator 26 and other ways of expanding the deformable distal end portion 16 may be used to carry out the invention as well, such as but not limited to, mechanical (manual or motorized), pneumatic, hydraulic or any other expansion method.

As seen in Figs. 3A and 3B, the support surfaces 18 may be arranged in one or more pairs that expand transversely outwards in opposite directions symmetrically or non-symmetrically with respect to the longitudinal axis 14. For symmetrical expansion, the lengths of the deformable splines 22 may be equal. For non-symmetrical expansion, the lengths of the deformable splines 22 may be different, making possible expansion at different or variable angles relative to the longitudinal axis 14. Additionally or alternatively, deformable distal end portion 16 with its support surfaces 18 may be deformed into different non-straight shapes (e.g., a wedge shape, a concave shape, a convex shape, etc.) by making the length of the deformable splines 22 gradually higher from their proximal end to their distal end or vice-versa.

Reference is now made to Figs. 4A, 4B and 4C, which illustrate that the expandable bone device 10 may be gradually expanded and contracted in a controlled

manner. Fig. 4A illustrates introducing into the expandable bone device 10 into a vertebral body 30 through a pedicle 32. This is a well known approach used in spinal surgery called the transpedicular approach, commonly used for introducing pedicle screws and for performing vertebroplasty with a balloon or a cannula, such as for filling the spinal body with bone cement or other materials.

Fig. 4B illustrates the expandable bone device 10 in a semi-expanded orientation. Fig. 4C illustrates the expandable bone device 10 in a fully expanded orientation. The expansion is reversible and can be reversed for removal by collapsing the device in situ with the actuator 26 or other tool. The expanded state can be locked.

A bridge element 43 (Fig. 3B) may be used to connect two unitary bodies 12 together. The bridge element 43 may be situated in the posterior area of the vertebra while the expanded device 10 is inside the vertebral body (anterior aspect of the vertebra). Any number of expandable bone devices 10 (not just one) may be introduced into the vertebral body or other bone.

Accordingly, the expandable device may be implanted on the left and right sides and connected in a minimal invasive way at the same level by the bridge element 43. The bridge element 43 may include, without limitation, different means (bar, wire, tube or any structure straight or curved) for locking or stabilization.

The expanding device 10, introduced for example by the transpedicular approach, may be locked to surrounding structures individually or interconnected at same level, with bridge elements 43, such as without limitation, washers with or without spikes, nut, screws, wires, intra-pedicular extra pieces or any suitable connectors. "Surrounding structures" encompasses without limitation, the spinous or lateral process, pars interarticularis, or post elements around the pedicles and lamina.

In accordance with another embodiment, bridge elements 43 may be rigid and used to connect the posterior extra pedicular section of the expandable device 10 to surrounding structures at the same level (e.g., contralateral side) or other levels (superior or/and inferior) to achieve stabilization for fusion. Such connectors may include, without limitation, bars, slotted bars, mini-plates, rods, wires or any other suitable structure for bridging. Alternatively, bridge elements 43 may comprise dynamic elements for inter-level connections between the expandable device 10 and other vertebrae or surrounding structures approached with pedicle screws, hooks or another expandable device for stabilization without fusion. The dynamic elements may include, without limitation,



flexible ties, bars, strips or rods, made of elastomeric materials, e.g., silicone rubber or polyurethane.

The expandable device 10 may be used in burst fractures of a vertebral body in order to stabilize the body by reduction of the fracture with the aid of ligamentostasis. This may be achieved by expanding the device 10 and connecting it to other devices with upper and/or lower levels approached with regular pedicle screws, hooks or any other fixation device.

In another aspect of the invention, expansion in the posterior section of the expandable device 10 may be used to stabilize the device in the posterior surrounding structures, thereby avoiding anterior migration. Such expansion may or may not participate in the locking mechanism of the device to the posterior surrounding structures, which locking mechanism is described further below with reference to the pedicle anchoring device 200.

The expandable bone device 10 of Figs. 4A-4C (and other embodiments of the invention) may be used as an intrabody expandable device, suitable for vertebral body compression fracture. As mentioned before, the expandable device 10 may be introduced by a minimal invasive transpedicular approach, and can also be introduced by a minimal invasive lateral approach for thoracic and lumbar spine and open approach anterior, lateral or posterior for any level. The expandable device may be threaded for easy insertion in the pedicle.

Referring particularly to Fig. 4C, a retrieval sleeve 15 may be provided for removing and retrieving the expandable device 10. First, if any locking elements have been used to lock the expandable device 10 in place, those locking elements must be removed. Then, after removal of the locking elements, the retrieval sleeve 15 (constructed, for example, of metal or rigid plastic) whose inner diameter is slightly larger than the outer diameter of the unitary body 12 of expandable device 10, may be introduced into the pedicle over the cylindrical, proximal section of the expandable device 10. The retrieval sleeve 15 may be pushed distally towards the deformable distal end portion 16, and can be used to contract or collapse the support surfaces 18 so that they become once again contiguous (or partially contiguous) with the rest of the unitary body 12. The expandable device 10 can be retrieved against the edge of the retrieval sleeve 15 by semicircular movements while pulling or tapping.

The retrieval sleeve 15 may be externally threaded for easy insertion into the pedicle. The retrieval sleeve 15 may be internally threaded for engagement with external

threads of the expandable device 10, in which case the expandable device 10 may be retrieved by screwing into sleeve 15.

Reference is now made to Figs. 4D, 4E and 4F, which illustrate another version of the expandable device used as a pedicle anchoring device 200, in accordance with an embodiment of the present invention.

As described hereinabove for the abovementioned expandable devices, the pedicle anchoring device 200 may include deformable distal end portion 16 with support surfaces 18. The pedicle anchoring device 200 may further include a proximal portion 202, which may be threaded (e.g., externally threaded). As described hereinabove for the abovementioned expandable devices, the pedicle anchoring device 200 may be introduced through the pedicle into the vertebral body (the contracted orientation shown in Fig. 4D). The actuator 26 (not shown) may be used as described above to expand support surfaces 18 outwards (the expanded orientation shown in Fig. 4E). The support surfaces 18 may be expanded inside the vertebral body with enough expansion that prevents pulling the device 200 proximally, that is, outwards back to the pedicle canal (as allowed by the geometry/anatomy of the vertebral body). The pedicle anchoring device 200 may be locked in place by a locking mechanism 204, adapted to restrict movement of pedicle anchoring device 200 both in the proximal and distal directions (i.e., both towards the deformable distal end portion 16 and the proximal portion 202). Locking mechanism 204 may include, without limitation, a threaded fastener (e.g., a nut optionally with a washer or lock washer) that can be screwed on to proximal portion 202. Part of the threaded section of proximal portion 202 may be kept clear for attaching thereto other devices, such as bridge elements 43 described hereinabove. Another way of locking can be by means of an expanded posterior section joined to the expanded distal portion by a connector (e.g., wire, rod, screw or other slender connecting element). The posterior section may be expanded before installation or in-situ. Juxtaposition of the two expanded sections inside the pedicle canal locks the pedicle anchoring device 200 in place, lying over the posterior elements. Such a device may be used, for example, in healthy vertebra above and below a fractured one, or for correcting deformities where multiple points of attachments are needed for connection to strong rods (e.g., scoliosis surgery). The pedicle anchoring device 200 may be used in a minimal invasive approach or open surgery.

Reference is now made to Figs. 4G, 4H, 4I and 4J, which illustrate further versions of the expandable device, here used as an inter-vertebral body fusion device 220, in accordance with an embodiment of the present invention.

The inter-vertebral body fusion device 220 may be positioned in a disc space of the spine to promote fusion. It may be introduced in a contracted orientation and expanded to an expanded orientation. Fig. 4G shows an actuator 226 in the shape of a crossed tube starting to push the contracted device 220. The expanded orientation is then shown in Fig. 4H. Other different versions are shown expanded in Figs. 4I and 4J. As a non-limiting example, the contracted orientation may have a perimeter of about 8 mm on the lumbar area and about 6 mm on the thoracic area, and may be expanded to about 12 and 9 mm, respectively. The device may be introduced by a minimal invasive post approach, but may also be introduced by a thoracic lateral minimal invasive approach. In addition, an anterior open or any other open approach may be used.

The inter-vertebral body fusion device 220 may be expanded by any suitable means, such as but not limited to, mechanical (manual or motorized), pneumatic, hydraulic or any other expansion method.

The embodiment of Fig. 4G is shown with an optional inner cross, but many other configurations may be used. The expansion may take into account corrections for lordosis, kyphosis or scoliosis by expanding symmetrically or asymmetrically. The expansion can include barbs or spikes that may engage the surface of the bone on the adjacent vertebral end plates. The expansion of the device may produce some separation of the disc space. In a non-limiting embodiment, the entire device may be included in the disc space, with no free end protruding outside the disc space.

Reference is now made to Figs. 5A, 5B and 5C, which illustrate an expandable bone device 50, constructed and operative in accordance with yet another embodiment of the present invention, respectively, in collapsed, semi-expanded and fully expanded orientations. Whereas in the embodiments of Figs. 1 and 2 there are three deformable splines 22 for each support surface 18, in the embodiments of Figs. 5A-5C there are two deformable splines 52 for each support surface 18. Any number of deformable splines may be used in the present invention. In the embodiments of Figs. 1 and 2, the proximal ends of the support surfaces 18 are separated by a gap 49 from the rest of the unitary body 12. In the embodiments of Figs. 5A-5C, there is no such gap.

Reference is now made to Fig. 6A is a simplified pictorial illustration of an expandable bone device 60, constructed and operative in accordance with still another embodiment of the present invention, in a collapsed orientation.

The expandable bone device 60 is similar to the expandable bone device 10, with like elements being designated by like numerals. In expandable bone device 60, there are

narrow cutouts 62 angled at a non-zero angle with respect to the longitudinal axis 14. Fig. 6B illustrates another non-limiting version of expandable bone device 60, referred to as expandable bone device 60', without the non-deformable endpiece 24. Both Figs. 6A and 6B illustrate the expandable bone device in a collapsed orientation. Figs. 7A and 7B illustrate the expandable bone devices 60 and 60', respectively, in an expanded orientation.

Reference is now made to Fig. 8, which illustrates an expandable bone device 70, constructed and operative in accordance with still another embodiment of the present invention, in a collapsed orientation. The expandable bone device 70 may be constructed of a unitary body 72 that has a generally flat polygonal shape (e.g., rectangular) folded about a fold axis 74 generally transverse to a longitudinal axis 75. Device 70 may include a deformable distal end portion 76 having a collapsed orientation for placement adjacent a spinal structure. The deformable distal end portion 76 may include relatively wide, mutually contiguous support surfaces 78 outlined by relatively narrow cutouts 80. The support surfaces 78 are contiguous with the rest of the unitary body 72 via relatively narrow deformable splines 82. An actuator (not shown) may be coupled to the deformable distal end portion 76 for moving the deformable distal end portion 76 between the collapsed orientation and the expanded orientation, as similarly described hereinabove.

Reference is now made to Figs. 9A and 9B, and 10A and 10B, which illustrate expandable bone devices 90 and 100, constructed and operative in accordance with other embodiments of the present invention. The expandable bone devices 90 and 100 may be constructed like stents, such as but not limited to, braided stents (filaments or wires, wound or braided into a particular configuration), or mesh stents (metal mesh bent or formed into a particular shape), among others (e.g., struts or other shapes and kinds of connecting elements). As is typical with stents, the expandable bone devices 90 and 100 may have a deformable portion 92 (102, respectively) with a compressed (e.g., collapsed, deformed, deflated or contracted) orientation (Figs. 9A and 10A, respectively) which may be expanded to an expanded orientation (Figs. 9B and 10B, respectively). The expansion may be effected by spring elasticity, balloon or mechanical expansion, or by the self-expansion of a thermally or stress-induced return of a shape memory alloy (such as a nickel-titanium alloy, e.g., NITINOL) to a pre-conditioned expanded configuration.

In accordance with non-limiting embodiments of the present invention, the devices 90 and 100 expand to prismatic shapes. For example, the device 90 may expand to a three-dimensional rectangular prismatic shape. The device 100 may expand to a

three-dimensional trapezoidal shape. These are just two non-limiting examples, and the invention is not limited to any particular shape.

In the collapsed state of Figs. 9A and 10A, the device may be introduced through the pedicles, such as with a sheath or catheter, as is known with stents. The device may be useful, for example, for treating fractures (wherein no large size reduction is required) or for preventive treatment of weak non-fractured vertebrae.

Reference is now made to Figs. 11A, 11B and 11C, which illustrate the expandable bone device 10 with different actuators (structures 114, 116 and 118, respectively) that may be coupled to the deformable distal end portion 16 to cause movement of the deformable distal end portion 16 between the collapsed orientation and the expanded orientation, in accordance with embodiments of the present invention. It is noted that "coupled to" encompasses both mechanical direct and indirect linkage as well as non-mechanical coupling, such as but not limited to, electrical, hydraulic and pneumatic, for example. The expandable bone device 10 may be expanded by the actuator, and the actuator may be left in place to form support structure for the device 10. Alternatively, the expandable bone device 10 may be expanded to form a skeletal structure wherein the actuator is removed after expansion.

As another alternative, the structures 114, 116 and 118 may not be used as actuators, but rather as support structures. That is, the expandable bone device 10 may be expanded with some other actuator (not shown here) and the structures 114, 116 and 118 may be introduced into the expanded bone device 10 to provide extra support in situ.

In accordance with one embodiment of the invention, each actuator (or support structure) includes an elongate strip 120 with one or more score lines 122 about which the strip 120 can bend to take on different shapes and forms. For example, in Fig. 11A, the actuator (or support structure) has an arcuate expanded shape (e.g., oval spheroid shape). In Fig. 11B, the actuator (or support structure) has a polygonal shape (e.g., diamond shape). In Fig. 11C, the actuator (or support structure) has another polygonal shape (e.g., trapezoidal shape). The actuator may have any combination of these shapes or other shapes as well. The actuator (or support structure) may be made of the same or similar material as that of expandable bone device 10 but with different hardness, stiffness or other mechanical properties, or with different dimensions (e.g., thickness and wideness) and shape. The selection of different materials and properties allows different degrees of stiffness for the supporting structure and for the whole system that may be used for different bones, patient ages and body parameters that answer the needs for adequate

fixation in each case. The actuators (or supporting structures) may be supplied in a stock of different pieces, so the practitioner can choose the best one for the job. They can be locked in place in many different ways.

It is appreciated that various features of the invention which are, for clarity, described in the contexts of separate embodiments, may also be provided in combination in a single embodiment. Conversely, various features of the invention which are, for brevity, described in the context of a single embodiment, may also be provided separately or in any suitable subcombination.

14  
CLAIMS

What is claimed is:

1. An expandable bone device comprising:
  - a unitary body extending along a longitudinal axis and including a deformable distal end portion having a collapsed orientation for placement adjacent a bone structure, said deformable distal end portion comprising relatively wide, mutually contiguous support surfaces outlined by relatively narrow cutouts, said support surfaces being contiguous with the rest of the unitary body via relatively narrow deformable splines, said deformable distal end portion having an expanded orientation wherein said support surfaces are moved transversely outwards away from and generally parallel to the longitudinal axis; and
  - an actuator coupled to said deformable distal end portion and operative to cause movement of said deformable distal end portion between the collapsed orientation and the expanded orientation.
2. The expandable bone device according to claim 1, wherein said support surfaces are arranged in at least one pair of support surfaces that expand transversely outwards in opposite directions with respect to the longitudinal axis.
3. The expandable bone device according to claim 2, wherein the at least one pair of support surfaces expand transversely outwards in opposite directions symmetrically with respect to the longitudinal axis.
4. The expandable bone device according to claim 2, wherein the at least one pair of support surfaces expand transversely outwards in opposite directions non-symmetrically with respect to the longitudinal axis.
5. The expandable bone device according to claim 1, wherein some of said narrow cutouts are generally parallel to the longitudinal axis.
6. The expandable bone device according to claim 1, wherein some of said narrow cutouts are angled at a non-zero angle with respect to the longitudinal axis.
7. The expandable bone device according to claim 1, wherein said deformable splines are generally equally spaced from one another along the longitudinal axis.
8. The expandable bone device according to claim 1, wherein at least some of said deformable splines are spaced at different distances from one another along the longitudinal axis.

9. The expandable bone device according to claim 1, wherein said unitary body comprises a generally flat polygonal shape folded about a fold axis generally transverse to the longitudinal axis.
10. The expandable bone device according to claim 1, further comprising a bridge element that connects between two of said unitary bodies of expandable devices.
11. The expandable bone device according to claim 1, wherein said deformable distal end portion comprises at least one non-smooth surface adapted to adhere to a bone structure.
12. The expandable bone device according to claim 1, wherein said unitary body comprises a non-deformable endpiece distal to said deformable distal end portion.
13. The expandable bone device according to claim 1, wherein said actuator comprises an elongate strip with at least one score line about which the elongate strip is bendable.
14. The expandable bone device according to claim 13, wherein said actuator has at least one of an arcuate expanded shape and a polygonal shape.
15. The expandable bone device according to claim 1, further comprising support structure that supports said deformable distal end portion, said support structure comprising an elongate strip with at least one score line about which the elongate strip is bendable.
16. An expandable bone device comprising:
  - a unitary body extending along a longitudinal axis and including a deformable portion having a collapsed orientation for placement adjacent a bone structure and an expanded orientation comprising a three-dimensional prismatic shape.
17. The expandable bone device according to claim 16, wherein said deformable portion is balloon expandable.
18. The expandable bone device according to claim 16, wherein said deformable portion is expandable by means of inherent spring elasticity.
19. The expandable bone device according to claim 16, wherein said deformable portion is constructed of a shape memory alloy.
20. The expandable bone device according to claim 16, wherein said deformable portion is expandable to a three-dimensional prismatic shape.
21. The expandable bone device according to claim 10, wherein said expandable devices are introducible by a transpedicular approach and lockable to surrounding structure by said bridge element.



22. The expandable bone device according to claim 10, wherein said bridge element is rigid and adapted to connect the expandable devices to achieve stabilization for fusion.
23. The expandable bone device according to claim 10, wherein said bridge element is flexible and adapted to connect the expandable devices to achieve stabilization without fusion.
24. The expandable bone device according to claim 10, wherein said bridge element is also connectable to other devices at levels of a spine different from levels of the expandable devices.
25. The expandable bone device according to claim 1, wherein said expandable bone device comprises an intrabody expandable device adapted to treat vertebral body compression fracture.
26. The expandable bone device according to claim 1, further comprising a retrieval sleeve for removing and retrieving the expandable bone device, said retrieval sleeve adapted to be pushed distally towards the deformable distal end portion for contracting the support surfaces.
27. The expandable bone device according to claim 1, further comprising a locking mechanism adapted to restrict movement of said expandable bone device both proximally and distally.
28. The expandable bone device according to claim 26, wherein said locking mechanism comprises a threaded fastener that screws on to a proximal portion of said expandable bone device.
29. The expandable bone device according to claim 1, wherein said expandable bone device comprises an inter-vertebral body fusion device positionable in a disc space of a spine to promote fusion.
30. An expandable bone device comprising:  
a unitary body extending along a longitudinal axis and including a deformable portion having a collapsed orientation for placement adjacent a bone structure and an expanded orientation, and a locking mechanism adapted to restrict movement of said expandable bone device both proximally and distally with respect to said longitudinal axis.

1/14

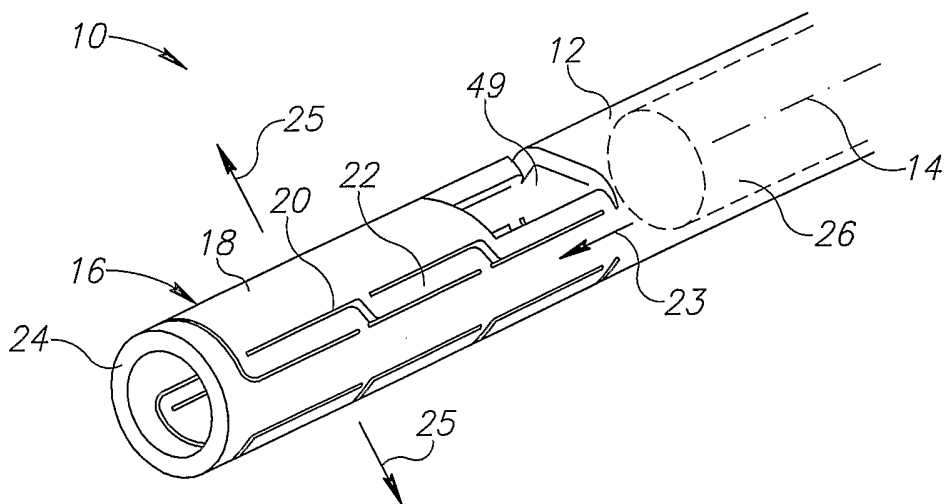


FIG. 1

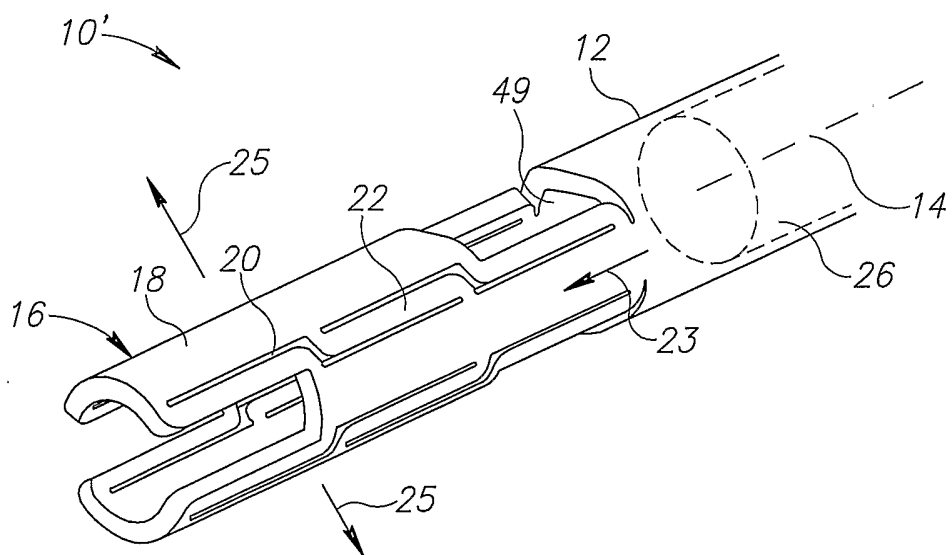


FIG. 2

2/14

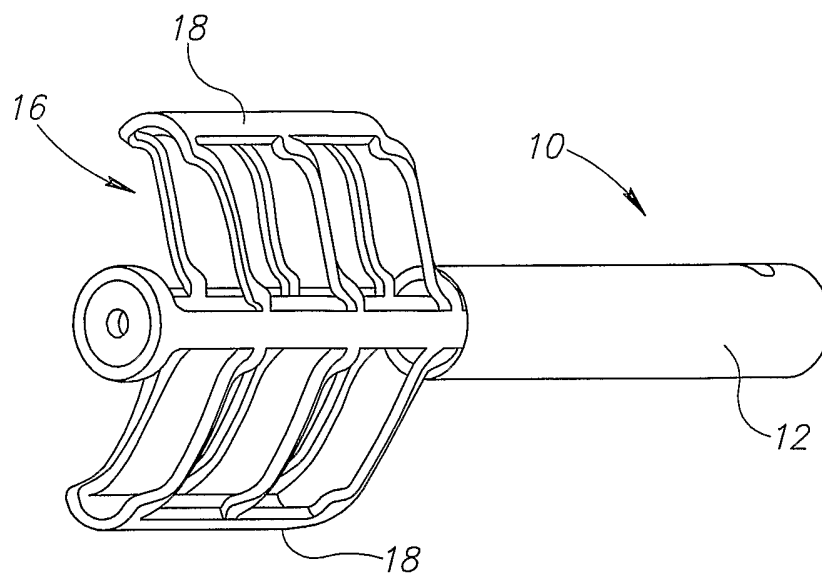


FIG. 3A

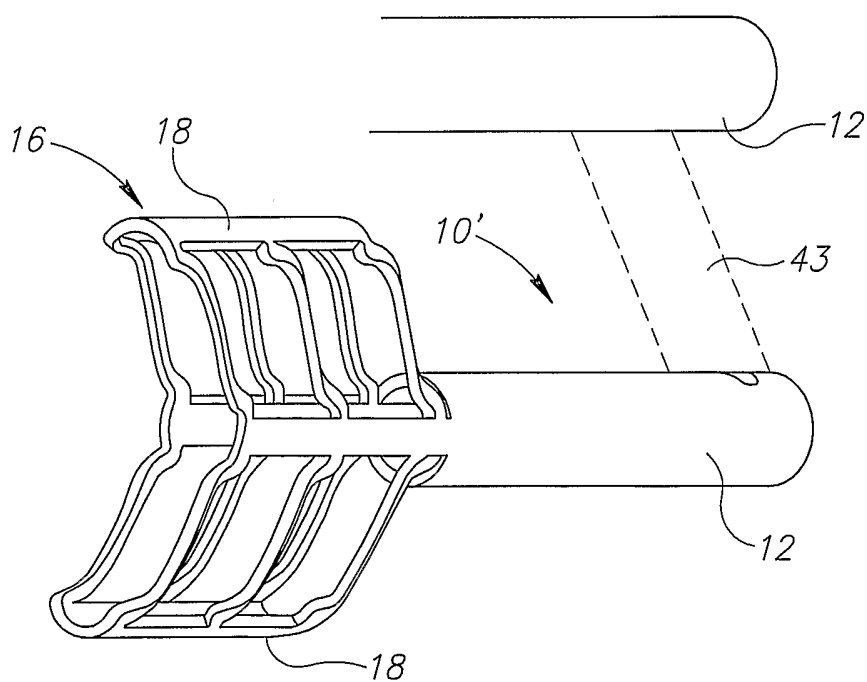


FIG. 3B

3/14

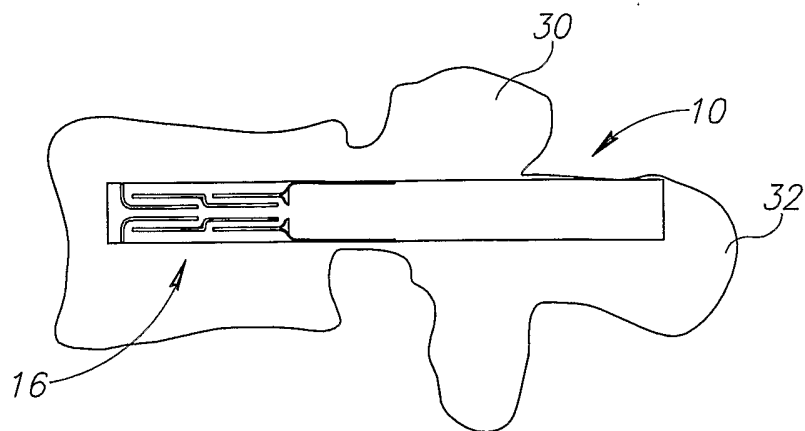


FIG. 4A

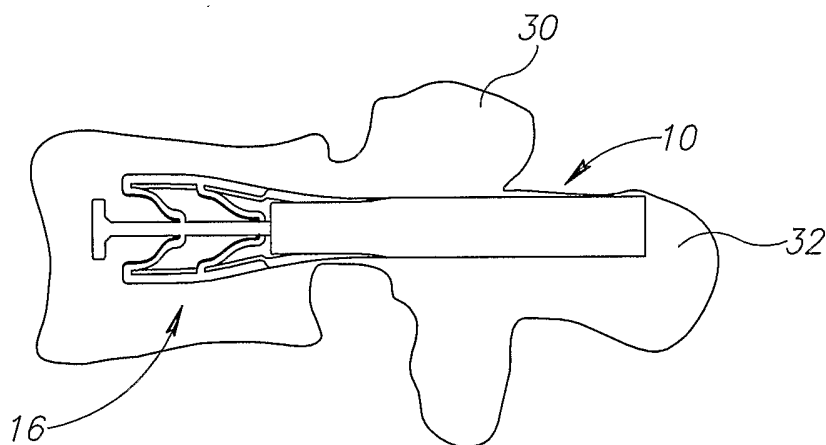


FIG. 4B

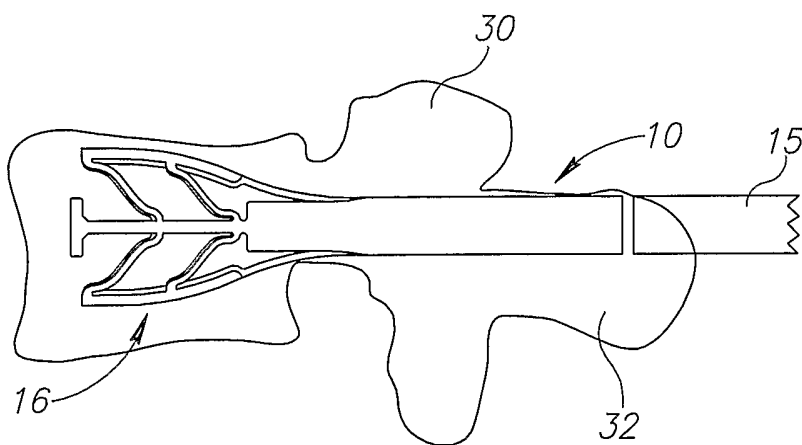


FIG. 4C

4/14

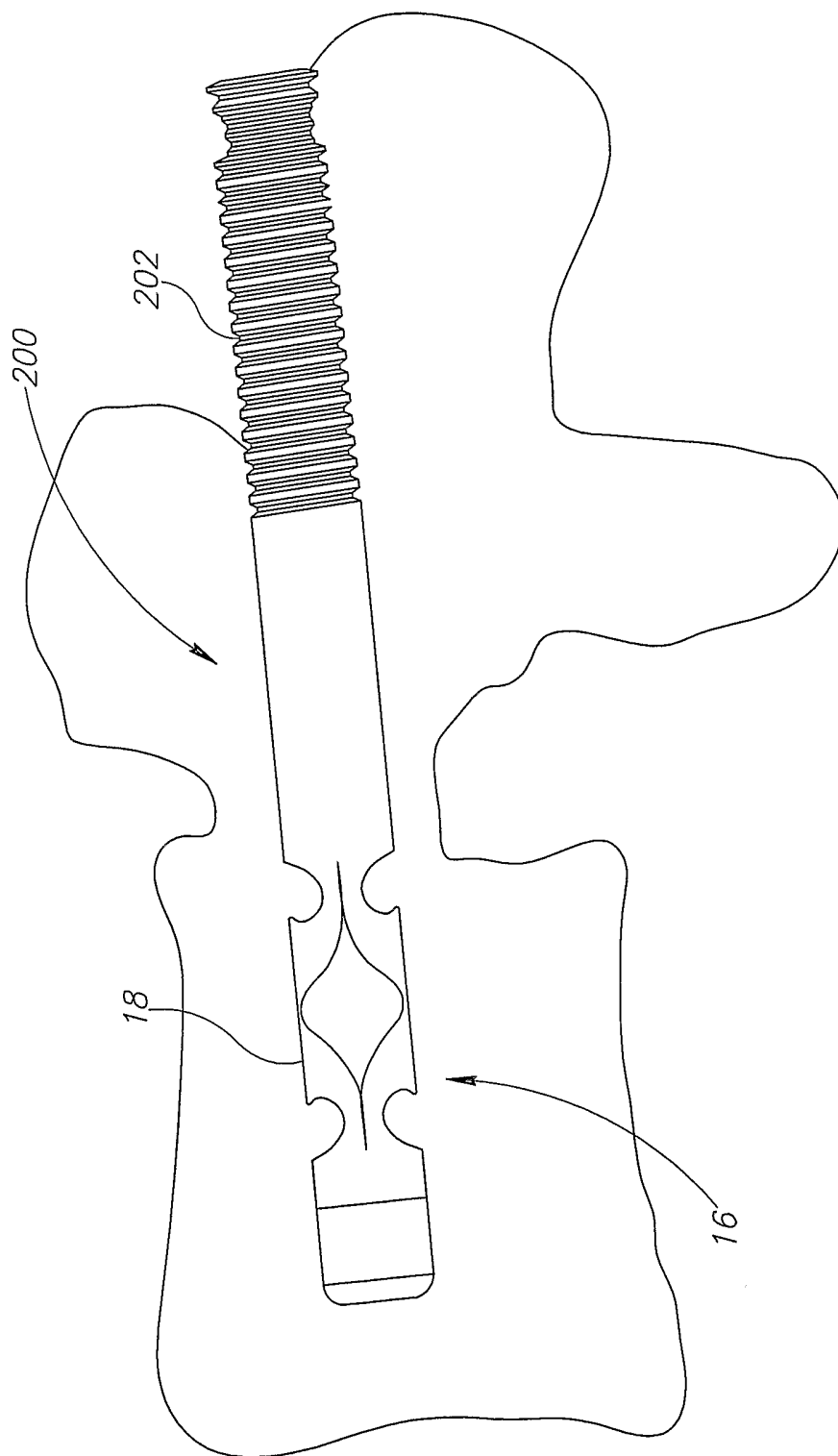


FIG.4D

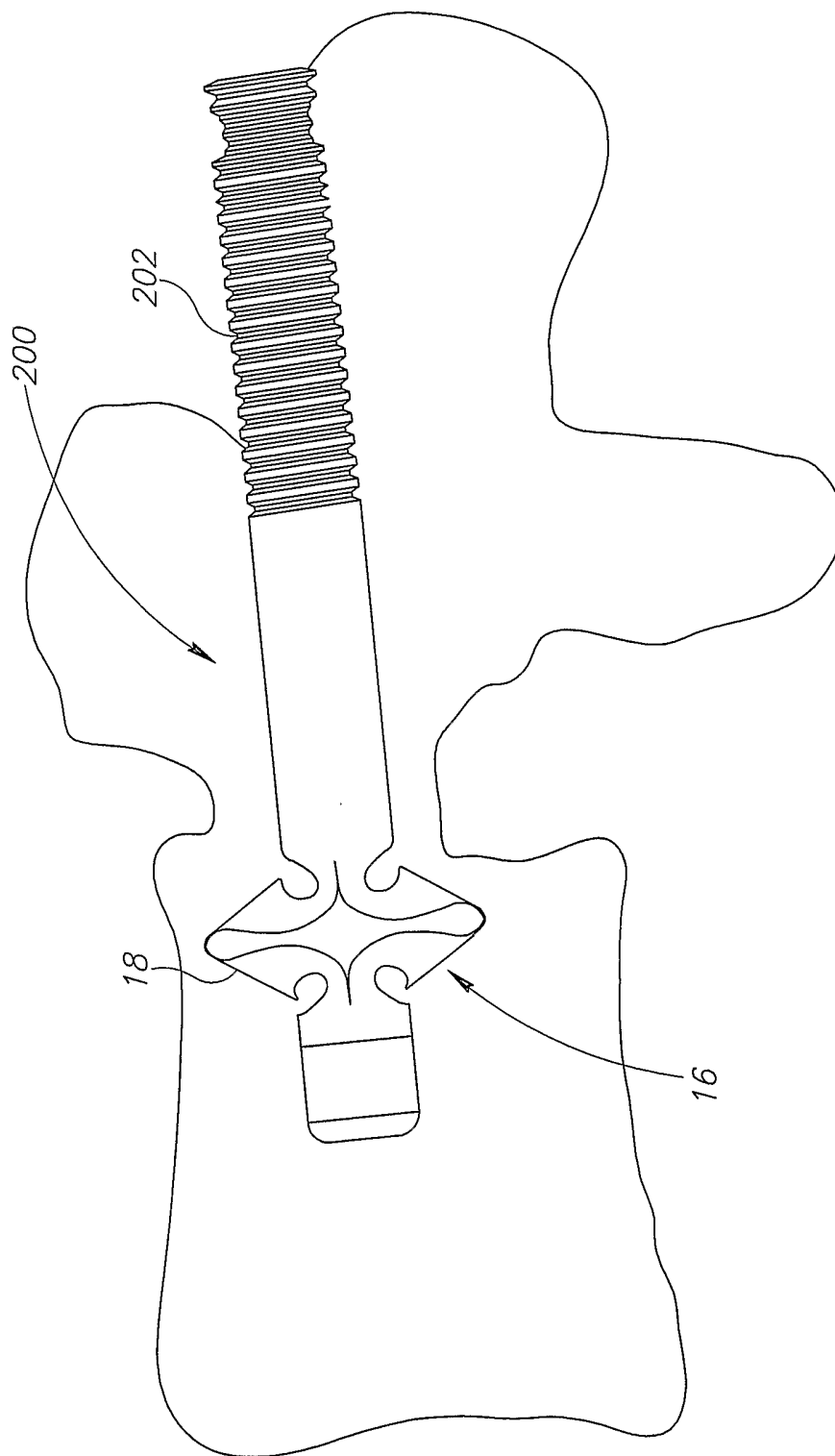


FIG. 4E

6/14

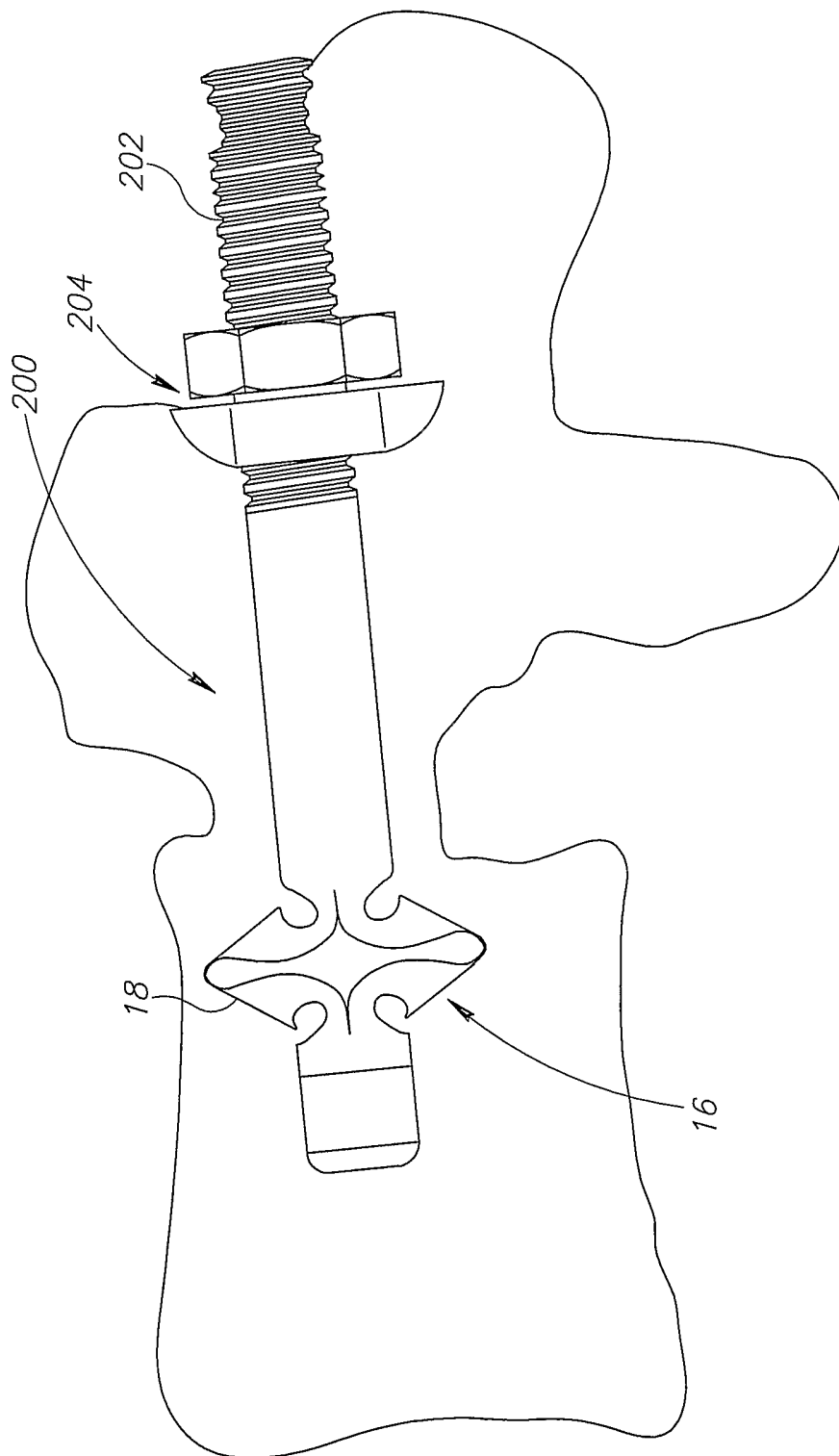


FIG. 4F

7/14

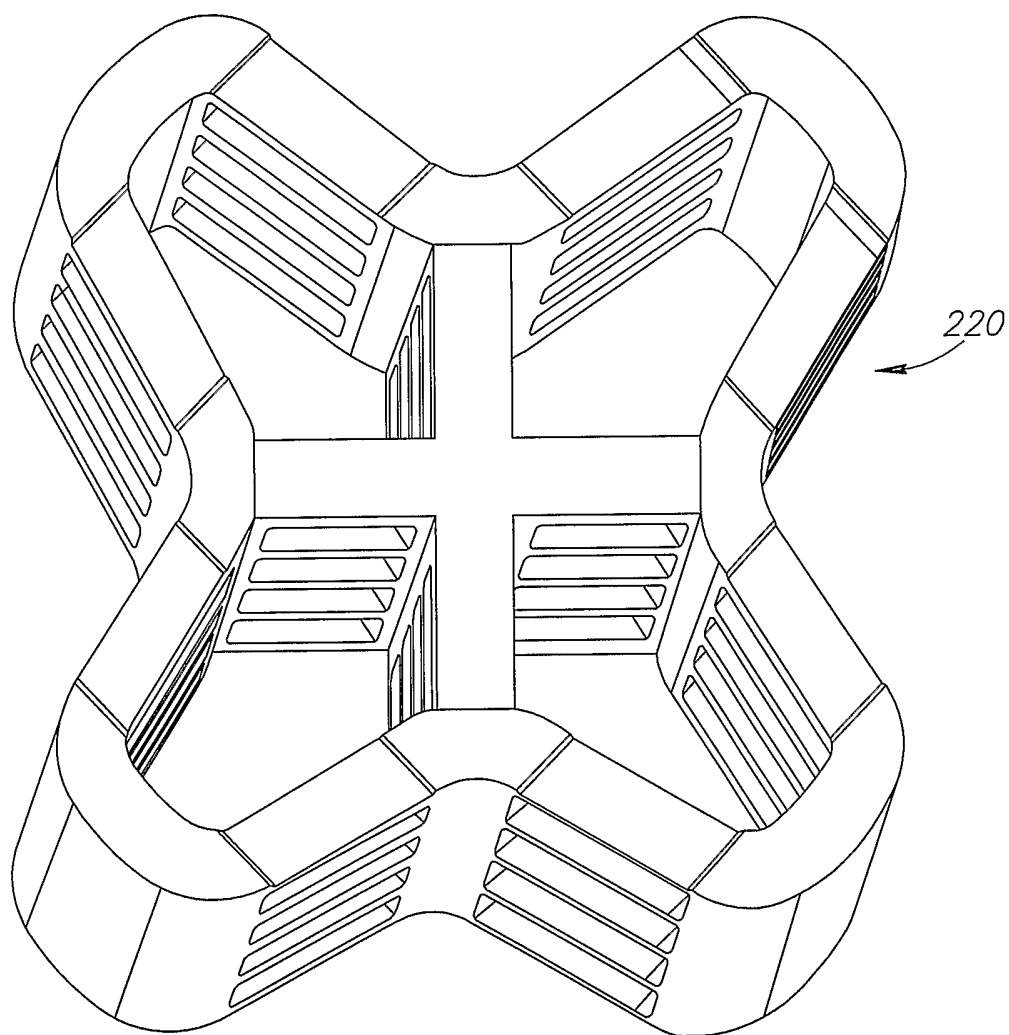


FIG. 4G



8/14

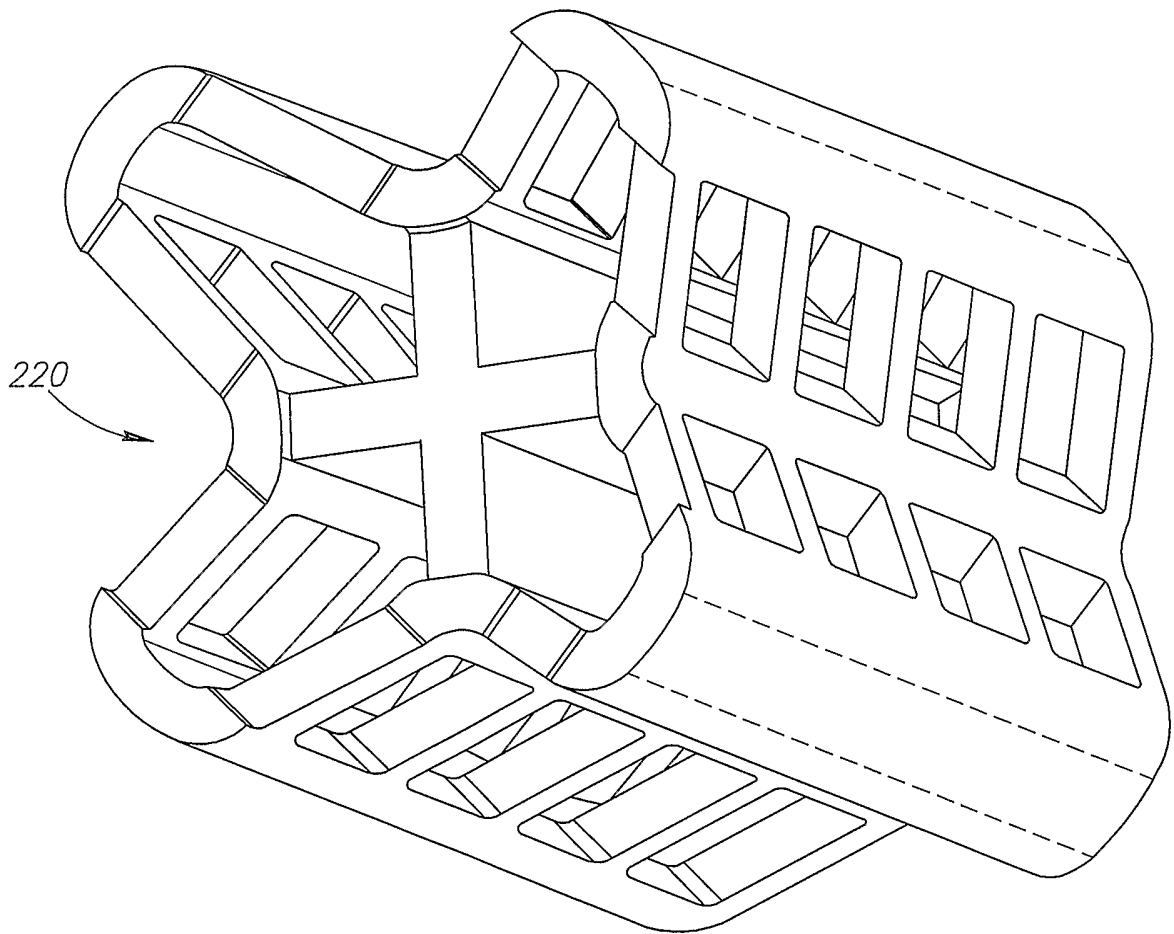


FIG.4H

9/14

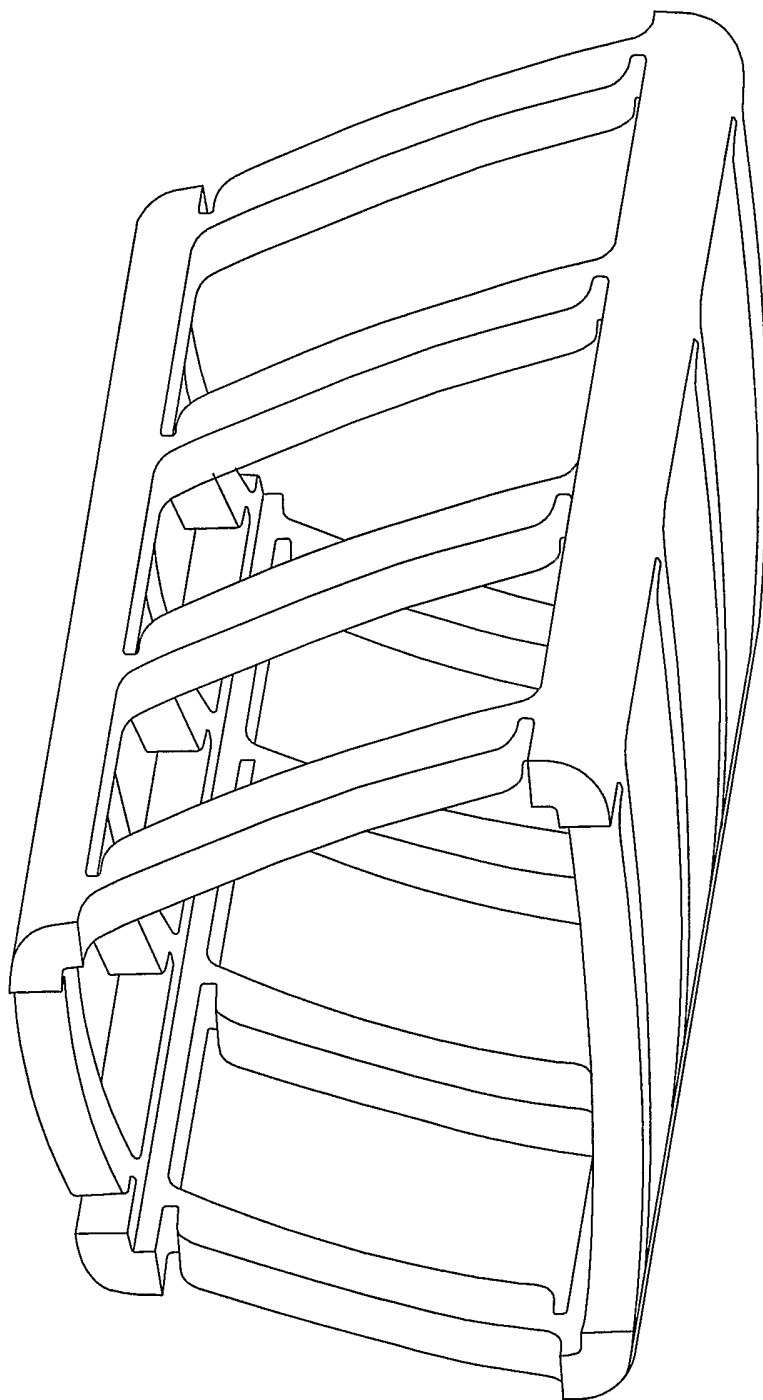


FIG. 4I

10/14

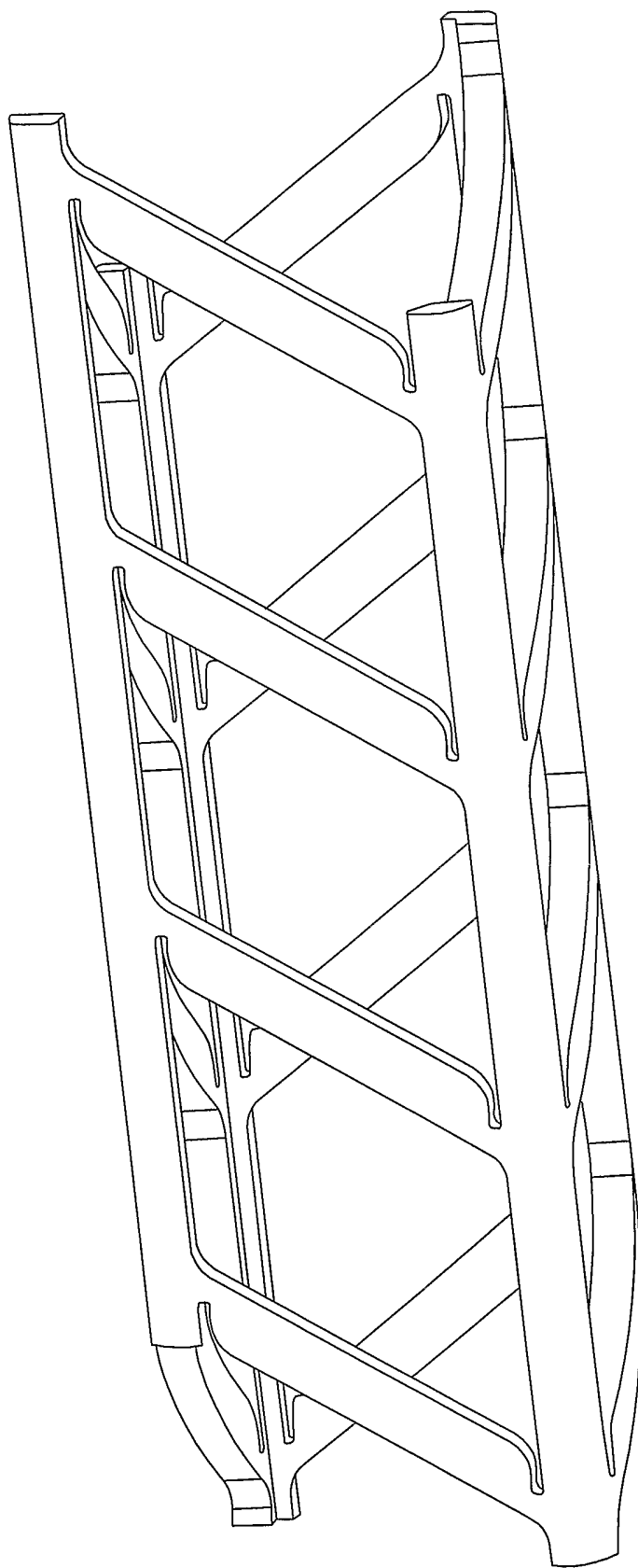


FIG. 4J

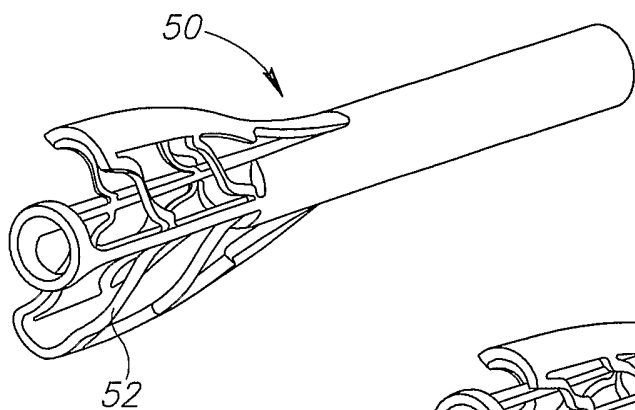


FIG. 5A

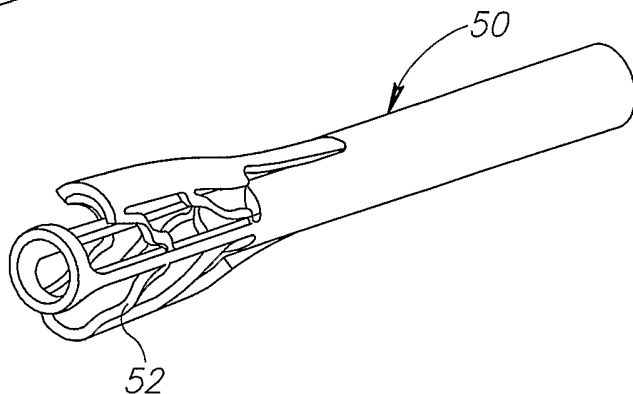


FIG. 5B

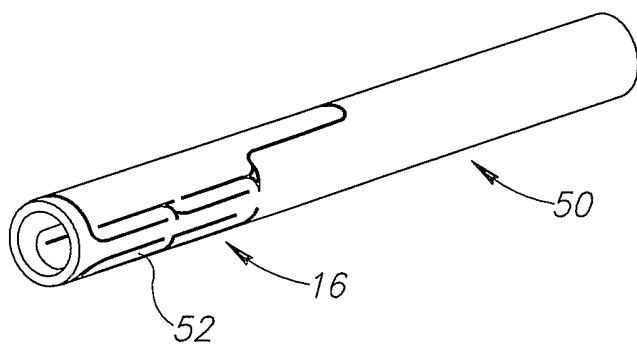


FIG. 5C

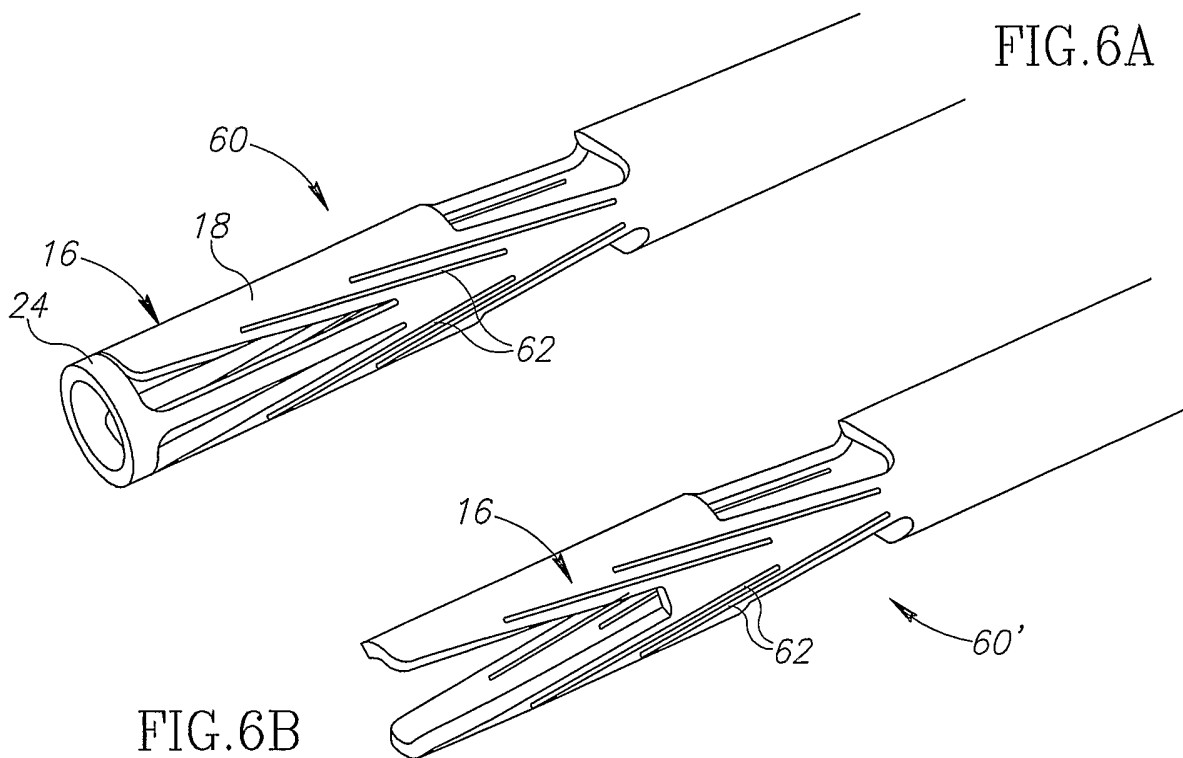


FIG. 6A

FIG. 6B

12/14

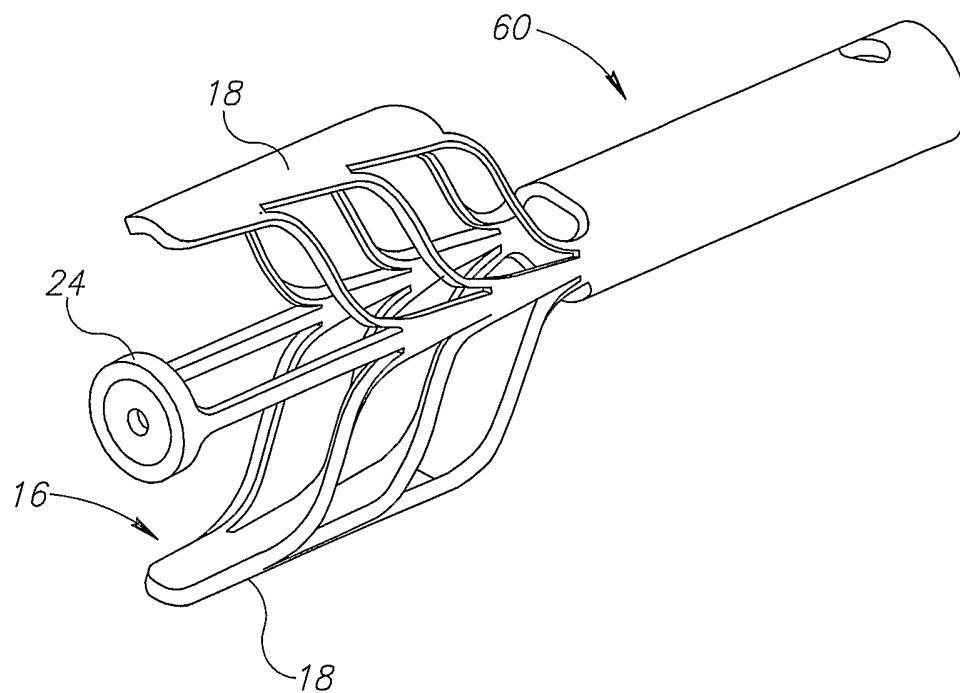


FIG. 7A

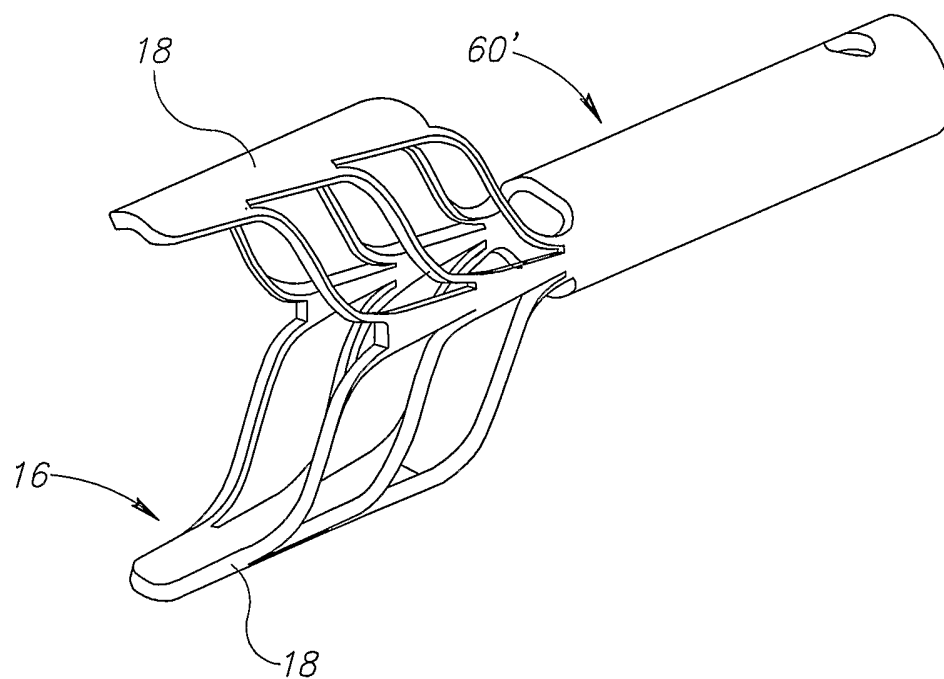


FIG. 7B

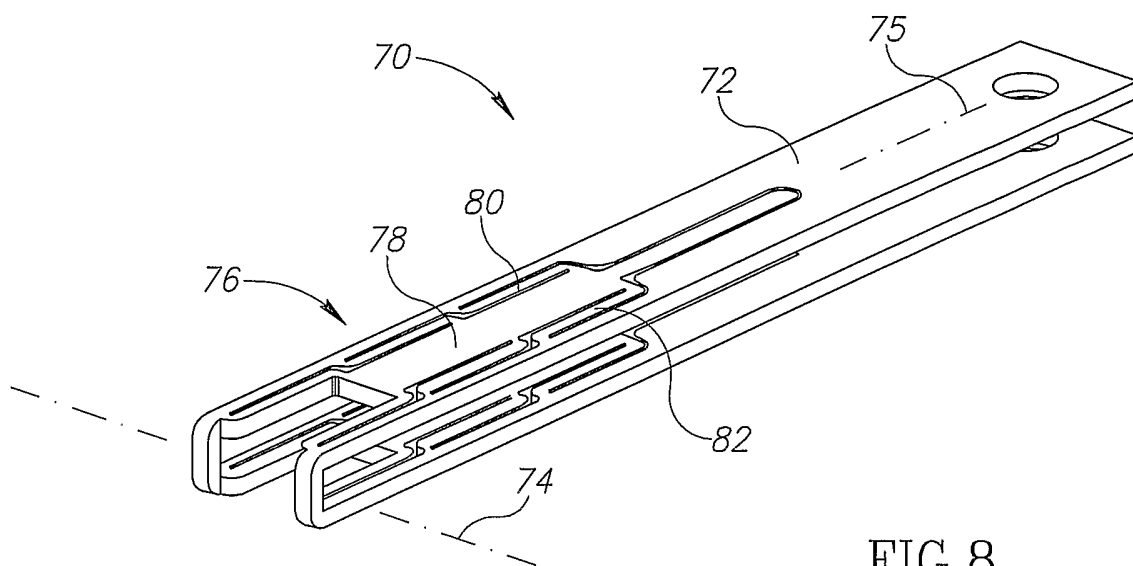


FIG. 8

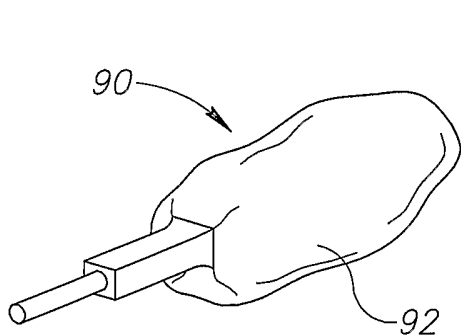


FIG. 9A

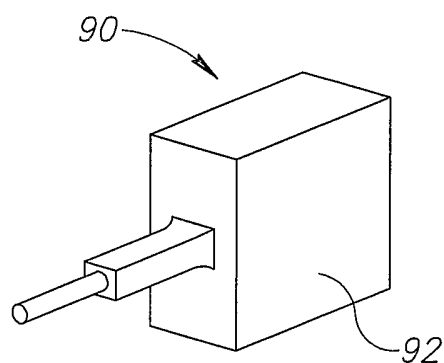


FIG. 9B

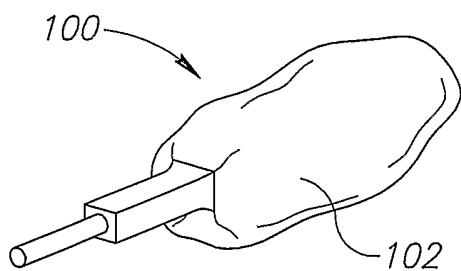


FIG. 10A

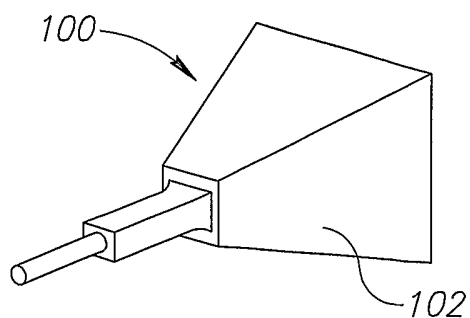


FIG. 10B

14/14

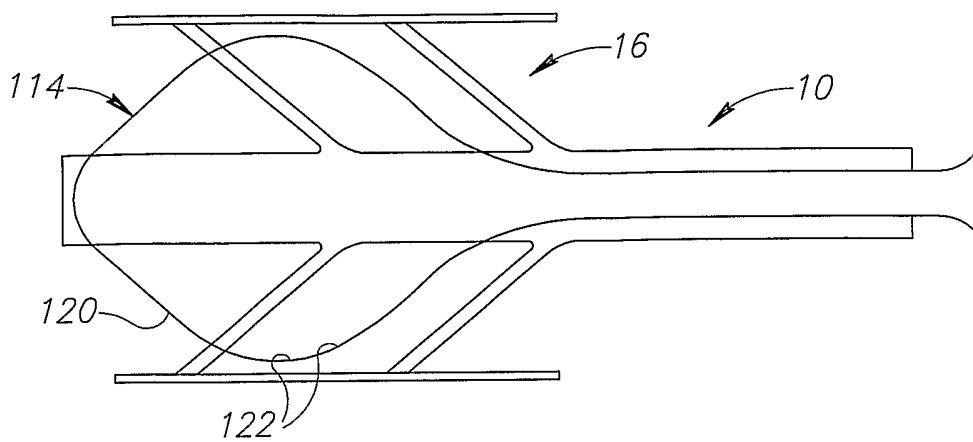


FIG. 11A

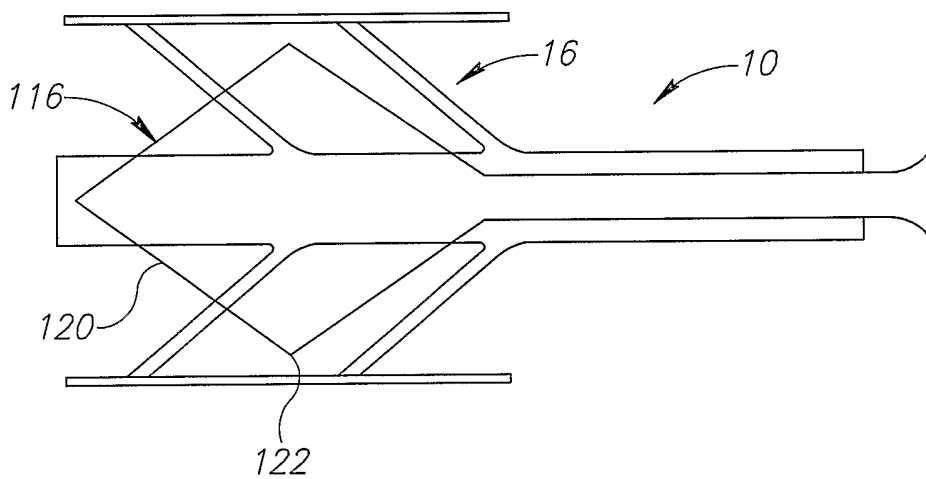


FIG. 11B

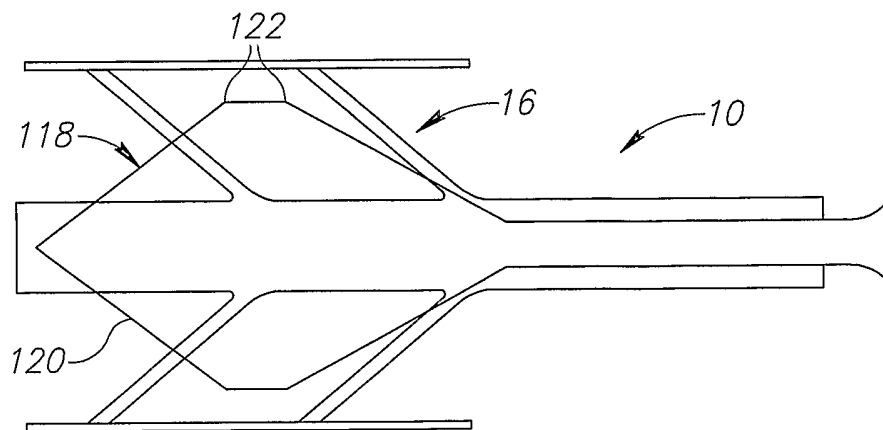


FIG. 11C