

(19) World Intellectual Property Organization
International Bureau



(43) International Publication Date
24 May 2007 (24.05.2007)

PCT

(10) International Publication Number
WO 2007/059386 A3

(51) International Patent Classification:

A61N 1/375 (2006.01) A61N 1/372 (2006.01)
A61N 1/05 (2006.01) A61N 1/378 (2006.01)

[US/US]; 1221 Namekagon Loop, Hudson, Wisconsin
54016 (US).

(21) International Application Number:

PCT/US2006/060556

(74) Agents: HAINES, Warren, M. et al.; MS LC340, 710
Medtronic Parkway, Minneapolis, Minnesota 55432 (US).

(22) International Filing Date:

2 November 2006 (02.11.2006)

(81) Designated States (unless otherwise indicated, for every
kind of national protection available): AE, AG, AL, AM,
AT, AU, AZ, BA, BB, BG, BR, BW, BY, BZ, CA, CH, CN,
CO, CR, CU, CZ, DE, DK, DM, DZ, EC, EE, EG, ES, FI,
GB, GD, GE, GH, GM, GT, HN, HR, HU, ID, IL, IN, IS,
JP, KE, KG, KM, KN, KP, KR, KZ, LA, LC, LK, LR, LS,
LT, LU, LV, LY, MA, MD, MG, MK, MN, MW, MX, MY,
MZ, NA, NG, NI, NO, NZ, OM, PG, PH, PL, PT, RO, RS,
RU, SC, SD, SE, SG, SK, SL, SM, SV, SY, TJ, TM, TN,
TR, TT, TZ, UA, UG, US, UZ, VC, VN, ZA, ZM, ZW.

(25) Filing Language:

English

(26) Publication Language:

English

(30) Priority Data:

11/271,018 10 November 2005 (10.11.2005) US

(71) Applicant (for all designated States except US):
MEDTRONIC, INC. [US/US]; 710 Medtronic Park-
way, MS LC340, Minneapolis, MN 55432 (US).

(84) Designated States (unless otherwise indicated, for every
kind of regional protection available): ARIPO (BW, GH,
GM, KE, LS, MW, MZ, NA, SD, SL, SZ, TZ, UG, ZM,
ZW), Eurasian (AM, AZ, BY, KG, KZ, MD, RU, TJ, TM),
European (AT, BE, BG, CH, CY, CZ, DE, DK, EE, ES, FI,
FR, GB, GR, HU, IE, IS, IT, LT, LU, LV, MC, NL, PL, PT,
RO, SE, SI, SK, TR), OAPI (BF, BJ, CF, CG, CI, CM, GA,
GN, GQ, GW, ML, MR, NE, SN, TD, TG).

(72) Inventors; and

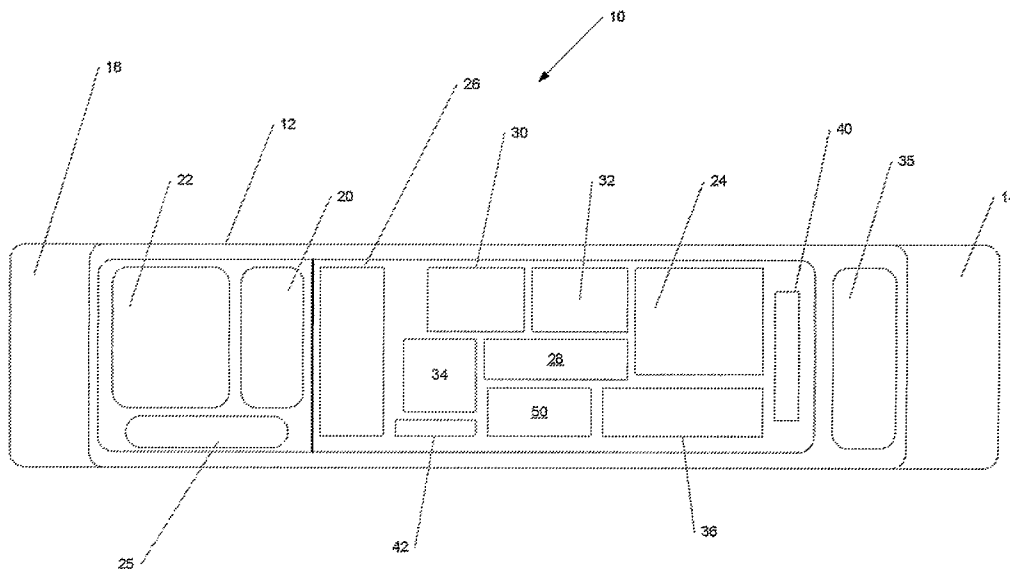
(75) Inventors/Applicants (for US only): DENNIS, Charles,
L. [US/US]; 9385 Lake Jane Trail North, Lake Elmo,
Minnesota 55402 (US). KLEIN, George, J. [CA/CA];
377 Grangeover Avenue, London, Ontario N6G 4K7 (CA).
GEBHARDT, Ursula [DE/DE]; Rue Notre Dame 80 Bis,
B-1200 Sint Lambrechts Woluwe (DE). ANDERSON,
Kenneth, M. [US/US]; 1310 Bocage Cove Number 201,
Memphis, Tennessee 38103 (US). ZILLMER, Glen, C.

Published:

— with international search report

(88) Date of publication of the international search report:
21 February 2008

(54) Title: INTRAVASCULAR MEDICAL DEVICE



(57) Abstract: An implantable medical device is configured so that all of the major components including a housing and attached leads are disposed within the vasculature of a patient. A tether extends from the housing of the device to an implant location where the tether is secured to tissue outside of the vasculature. In this manner, an intravascular medical device may be implanted at a location remote from final placement, delivered via the vasculature and anchored at the initial entry point.

WO 2007/059386 A3

INTERNATIONAL SEARCH REPORT

International application No

PCT/US2006/060556

C(Continuation). DOCUMENTS CONSIDERED TO BE RELEVANT		
Category*	Citation of document, with indication, where appropriate, of the relevant passages	Relevant to claim No.
X	US 5 193 540 A (SCHULMAN JOSEPH H [US] ET AL) 16 March 1993 (1993-03-16) figure 7 column 3, line 53 - line 57 column 12, line 3 - line 16 -----	1, 2, 16
Y	US 5 273 053 A (POHNDORF PETER J [US]) 28 December 1993 (1993-12-28) figures 1, 2 column 3, line 49 - line 65 -----	11
Y	US 6 425 895 B1 (SWANSON DAVID K [US] ET AL) 30 July 2002 (2002-07-30) figure 27 paragraph [0234] - paragraph [0235] -----	12
X	WO 2005/077450 A (SYNECOR LLC [US]; WILLIAMS MICHAEL S [US]; HOLBROOK KEVIN [US]; RANSBU) 25 August 2005 (2005-08-25)	17, 18
Y	figures 9A-C, 12 page 1, line 5 - line 12 page 19, line 20 - line 28 page 22, line 29 - page 24, line 21 -----	19, 20
X	WO 2005/058415 A (SYNECOR LLC [US]; WILLIAMS MICHAEL S [US]) 30 June 2005 (2005-06-30) figure 2 page 7, line 7 - line 9 page 5, line 5 - line 11 page 11, line 1 - page 12, line 7 -----	17, 18
E	WO 2007/090023 A (MEDTRONIC INC [US]; ANDERSON KENNETH M [US]; DENNIS CHARLES L [US]; GE) 9 August 2007 (2007-08-09) the whole document -----	1-20
E	WO 2007/090013 A (MEDTRONIC INC [US]; ANDERSON KENNETH M [US]; DENNIS CHARLES L [US]; KL) 9 August 2007 (2007-08-09) the whole document -----	1-20

INTERNATIONAL SEARCH REPORT

International application No.
PCT/US2006/060556

Box No. II Observations where certain claims were found unsearchable (Continuation of item 2 of first sheet)

This international search report has not been established in respect of certain claims under Article 17(2)(a) for the following reasons:

1. Claims Nos.:
because they relate to subject matter not required to be searched by this Authority, namely:

2. Claims Nos.:
because they relate to parts of the international application that do not comply with the prescribed requirements to such an extent that no meaningful international search can be carried out, specifically:

3. Claims Nos.:
because they are dependent claims and are not drafted in accordance with the second and third sentences of Rule 6.4(a).

Box No. III Observations where unity of invention is lacking (Continuation of item 3 of first sheet)

This International Searching Authority found multiple inventions in this international application, as follows:

see additional sheet

1. As all required additional search fees were timely paid by the applicant, this international search report covers allsearchable claims.
2. As all searchable claims could be searched without effort justifying an additional fees, this Authority did not invite payment of additional fees.
3. As only some of the required additional search fees were timely paid by the applicant, this international search report covers only those claims for which fees were paid, specifically claims Nos.:

4. No required additional search fees were timely paid by the applicant. Consequently, this international search report is restricted to the invention first mentioned in the claims; it is covered by claims Nos.:

Remark on Protest

- The additional search fees were accompanied by the applicant's protest and, where applicable, the payment of a protest fee.
- The additional search fees were accompanied by the applicant's protest but the applicable protest fee was not paid within the time limit specified in the invitation.
- No protest accompanied the payment of additional search fees.

This International Searching Authority found multiple (groups of) inventions in this international application, as follows:

1. claims: 1-16

an intravascular medical device with a first lead and a tether

2. claims: 17,18-20

an intravascular medical device with means for securing the device within the vasculature to a site exterior to the vasculature

INTERNATIONAL SEARCH REPORT

Information on patent family members

International application No

PCT/US2006/060556

Patent document cited in search report	Publication date	Publication date	Patent family member(s)	Publication date
US 2003158584	A1	21-08-2003	NONE	
US 2005043765	A1	24-02-2005	AU 2004251673 A1 CA 2527909 A1 EP 1633434 A2 JP 2006526483 T WO 2005000398 A2	06-01-2005 06-01-2005 15-03-2006 24-11-2006 06-01-2005
US 5193540	A	16-03-1993	US 5405367 A	11-04-1995
US 5273053	A	28-12-1993	AU 655373 B2 AU 4873293 A CA 2106332 A1 DE 69324102 D1 DE 69324102 T2 EP 0597213 A1 JP 2523445 B2 JP 6218066 A	15-12-1994 12-05-1994 03-05-1994 29-04-1999 18-11-1999 18-05-1994 07-08-1996 09-08-1994
US 6425895	B1	30-07-2002	NONE	
WO 2005077450	A	25-08-2005	AU 2005212341 A1 CA 2553681 A1 EP 1718359 A2 JP 2007521921 T	25-08-2005 25-08-2005 08-11-2006 09-08-2007
WO 2005058415	A	30-06-2005	AU 2004298995 A1 CA 2549006 A1 EP 1701766 A2 JP 2007514482 T	30-06-2005 30-06-2005 20-09-2006 07-06-2007
WO 2007090023	A	09-08-2007	US 2007179552 A1	02-08-2007
WO 2007090013	A	09-08-2007	US 2007179550 A1	02-08-2007