

(19) World Intellectual Property Organization  
International Bureau



(43) International Publication Date  
27 April 2006 (27.04.2006)

PCT

(10) International Publication Number  
WO 2006/043970 A3

- (51) International Patent Classification:  
B23K 10/00 (2006.01)
- (21) International Application Number:  
PCT/US2005/011542
- (22) International Filing Date: 7 April 2005 (07.04.2005)
- (25) Filing Language: English
- (26) Publication Language: English
- (30) Priority Data:  
60/560,012 7 April 2004 (07.04.2004) US  
11/004,233 6 December 2004 (06.12.2004) US
- (71) Applicant and
- (72) Inventor: JOUANNEAU, Andre [FR/US]; 6028 Southport Drive, Bethesda, MD 20814 (US).
- (74) Agent: LINIAK, Thomas P.; Liniak, Berenato & White, LLC, 6550 Rock Spring Drive, Suite 240, Bethesda, MD 20817 (US).
- (81) Designated States (unless otherwise indicated, for every kind of national protection available): AE, AG, AL, AM,

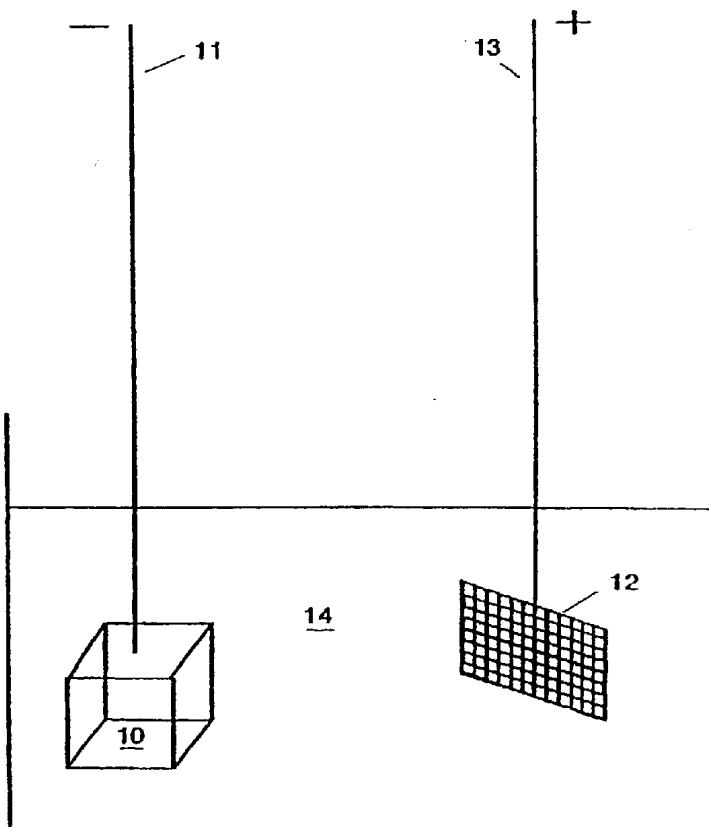
AT, AU, AZ, BA, BB, BG, BR, BW, BY, BZ, CA, CH, CN, CO, CR, CU, CZ, DE, DK, DM, DZ, EC, EE, EG, ES, FI, GB, GD, GE, GH, GM, HR, HU, ID, IL, IN, IS, JP, KE, KG, KM, KP, KR, KZ, LC, LK, LR, LS, LT, LU, LV, MA, MD, MG, MK, MN, MW, MX, MZ, NA, NI, NO, NZ, OM, PG, PH, PL, PT, RO, RU, SC, SD, SE, SG, SK, SL, SM, SY, TJ, TM, TN, TR, TT, TZ, UA, UG, US, UZ, VC, VN, YU, ZA, ZM, ZW.

(84) Designated States (unless otherwise indicated, for every kind of regional protection available): ARIPO (BW, GH, GM, KE, LS, MW, MZ, NA, SD, SL, SZ, TZ, UG, ZM, ZW), Eurasian (AM, AZ, BY, KG, KZ, MD, RU, TJ, TM), European (AT, BE, BG, CH, CY, CZ, DE, DK, EE, ES, FI, FR, GB, GR, HU, IE, IS, IT, LT, LU, MC, NL, PL, PT, RO, SE, SI, SK, TR), OAPI (BF, BJ, CF, CG, CI, CM, GA, GN, GQ, GW, ML, MR, NE, SN, TD, TG).

**Published:**  
— with international search report  
— before the expiration of the time limit for amending the claims and to be republished in the event of receipt of amendments

[Continued on next page]

(54) Title: METHOD AND APPARATUS FOR THE GENERATION AND THE UTILIZATION OF PLASMA SOLID



(57) Abstract: A method and apparatus for producing stable plasma inside a solid are provided. According to an embodiment of the method, a source of ionic particles is provided, the source being selected from an ionic solution having a pH less than 1.0, plasma gas, and a gas atmosphere. A direct electrical current is applied to a solid, and the ionic particles from the source of ionic particles are introduced into the solid to form plasma. Periodic impulses are applied to the solid to vibrate the solid and stabilize the plasma.

WO 2006/043970 A3



---

**(88) Date of publication of the international search report:**  
30 October 2008

**(15) Information about Correction:**  
**Previous Correction:**  
see Notice of 8 June 2006

# INTERNATIONAL SEARCH REPORT

International application No.

PCT/US05/11542

**A. CLASSIFICATION OF SUBJECT MATTER**

IPC: **B23K 10/00**( 2006.01)

USPC: 219/121.36,121.4,121.43,121.48,121.59,121.44

According to International Patent Classification (IPC) or to both national classification and IPC

**B. FIELDS SEARCHED**

Minimum documentation searched (classification system followed by classification symbols)

U.S. : 219/121.36,121.4,121.43,121.48,121.59,121.44

Documentation searched other than minimum documentation to the extent that such documents are included in the fields searched

Electronic data base consulted during the international search (name of data base and, where practicable, search terms used)  
EAST

**C. DOCUMENTS CONSIDERED TO BE RELEVANT**

Category *	Citation of document, with indication, where appropriate, of the relevant passages	Relevant to claim No.
A	US 5,770,036 A (Ahern et al) 23 June 1998, see entire disclosure.	1-65
A, E	US 7,188,033 B2 (Mills) 06 March 2007, see entire document.	1-65

Further documents are listed in the continuation of Box C.

See patent family annex.

* Special categories of cited documents:	
"A" document defining the general state of the art which is not considered to be of particular relevance	"T" later document published after the international filing date or priority date and not in conflict with the application but cited to understand the principle or theory underlying the invention
"E" earlier application or patent published on or after the international filing date	"X" document of particular relevance; the claimed invention cannot be considered novel or cannot be considered to involve an inventive step when the document is taken alone
"L" document which may throw doubts on priority claim(s) or which is cited to establish the publication date of another citation or other special reason (as specified)	"Y" document of particular relevance; the claimed invention cannot be considered to involve an inventive step when the document is combined with one or more other such documents, such combination being obvious to a person skilled in the art
"O" document referring to an oral disclosure, use, exhibition or other means	"&" document member of the same patent family
"P" document published prior to the international filing date but later than the priority date claimed	

Date of the actual completion of the international search  
27 March 2008 (27.03.2008)

Date of mailing of the international search report  
**29 AUG 2008**

Name and mailing address of the ISA/US  
Mail Stop PCT, Attn: ISA/US  
Commissioner of Patents  
P.O. Box 1450  
Alexandria, Virginia 22313-1450

Authorized officer  
Mark H. Paschall  
Telephone No. 571-272-4784

Facsimile No. (571) 273-3201

# INTERNATIONAL SEARCH REPORT

International application No.

PCT/US05/11542

## Box I Observations where certain claims were found unsearchable (Continuation of Item 1 of first sheet)

This international report has not been established in respect of certain claims under Article 17(2)(a) for the following reasons:

1.  Claim Nos.: 1-65  
because they relate to subject matter not required to be searched by this Authority, namely:
  
2.  Claim Nos.: 1-65  
because they relate to parts of the international application that do not comply with the prescribed requirements to such an extent that no meaningful international search can be carried out, specifically:
  
3.  Claim Nos.:  
because they are dependent claims and are not drafted in accordance with the second and third sentences of Rule 6.4(a).

## Box II Observations where unity of invention is lacking (Continuation of Item 2 of first sheet)

This International Searching Authority found multiple inventions in this international application, as follows:

1.  As all required additional search fees were timely paid by the applicant, this international search report covers all searchable claims.
2.  As all searchable claims could be searched without effort justifying an additional fee, this Authority did not invite payment of any additional fee.
3.  As only some of the required additional search fees were timely paid by the applicant, this international search report covers only those claims for which fees were paid, specifically claims Nos.:
  
  
4.  No required additional search fees were timely paid by the applicant. Consequently, this international search report is restricted to the invention first mentioned in the claims; it is covered by claims Nos.:

Remark on Protest

The additional search fees were accompanied by the applicant's protest.

No protest accompanied the payment of additional search fees.