

(19) World Intellectual Property Organization
International Bureau



(43) International Publication Date
26 April 2001 (26.04.2001)

PCT

(10) International Publication Number
WO 01/28436 A1

(51) International Patent Classification⁷: A61B 17/17,
17/70, 17/88

SHERMAN, Michael, C. [US/US]; 5854 Haymarket Road, Memphis, TN 38120 (US). FOLEY, Kevin, T. [US/US]; 2877 Keasler Circle West, Germantown, TN 38139 (US).

(21) International Application Number: PCT/US00/28118

(22) International Filing Date: 11 October 2000 (11.10.2000)

(74) Agents: COLLIER, Douglas, A. et al.; Woodard, Emhardt, Naughton, Moriarty & McNett, Bank One Center/Tower, Suite 3700, 111 Monument Circle, Indianapolis, IN 46204 (US).

(25) Filing Language: English

(26) Publication Language: English

(30) Priority Data:
60/160,489 20 October 1999 (20.10.1999) US
60/186,729 3 March 2000 (03.03.2000) US
09/616,581 14 July 2000 (14.07.2000) US

(81) Designated States (national): AE, AG, AL, AM, AT, AU, AZ, BA, BB, BG, BR, BY, BZ, CA, CH, CN, CR, CU, CZ, DE, DK, DM, DZ, EE, ES, FI, GB, GD, GE, GH, GM, HR, HU, ID, IL, IN, IS, JP, KE, KG, KP, KR, KZ, LC, LK, LR, LS, LT, LU, LV, MA, MD, MG, MK, MN, MW, MX, MZ, NO, NZ, PL, PT, RO, RU, SD, SE, SG, SI, SK, SL, TJ, TM, TR, TT, TZ, UA, UG, US, UZ, VN, YU, ZA, ZW.

(71) Applicant (for all designated States except US): SDGI HOLDINGS, INC. [US/US]; Suite 508, 300 Delaware Avenue, Wilmington, DE 19801 (US).

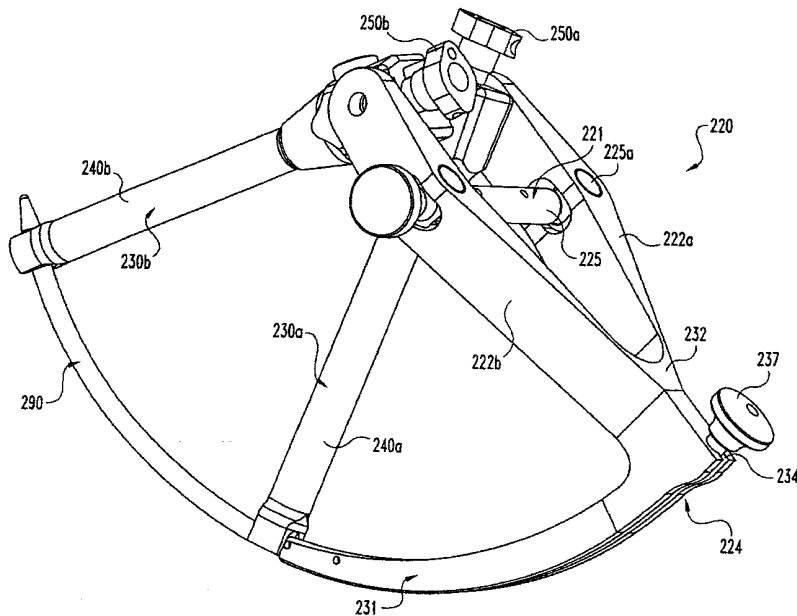
(84) Designated States (regional): ARIPO patent (GH, GM, KE, LS, MW, MZ, SD, SL, SZ, TZ, UG, ZW), Eurasian patent (AM, AZ, BY, KG, KZ, MD, RU, TJ, TM), European patent (AT, BE, CH, CY, DE, DK, ES, FI, FR, GB, GR, IE, IT, LU, MC, NL, PT, SE), OAPI patent (BF, BJ, CF, CG, CI, CM, GA, GN, GW, ML, MR, NE, SN, TD, TG).

(72) Inventors; and

(75) Inventors/Applicants (for US only): JUSTIS, Jeff, R. [US/US]; 1561 Teal Wing Lane, Cordova, TN 38018 (US).

[Continued on next page]

(54) Title: INSTRUMENTS AND METHODS FOR STABILIZATION OF BONY STRUCTURES



(57) Abstract: The present invention relates to a brace installation instrument placement (220) that is mounted to anchors (60) secured in an animal subject. The installation instrument includes anchor extensions (230) coupled to the anchors (60). The instrument (220) is movable with respect to the anchors (60) to position a brace in a position more proximate the anchors (60). The brace (290) can be indexed for insertion at a predetermined orientation with respect to the installation instrument (220). Methods and techniques for using the installation instrument (220) are also provided.



WO 01/28436 A1



Published:

— *With international search report.*

For two-letter codes and other abbreviations, refer to the "Guidance Notes on Codes and Abbreviations" appearing at the beginning of each regular issue of the PCT Gazette.

5 **INSTRUMENTS AND METHODS FOR STABILIZATION OF BONY
STRUCTURES**

Cross-Reference to Related Applications:

10 The present application claims the benefit of the filing dates of Provisional
Application Serial No. 60/186,729, filed March 3, 2000 and Provisional Application
Serial No. 60/160,489, filed October 20, 1999. The referenced applications are each
incorporated herein by reference in their entirety.

BACKGROUND OF THE INVENTION

15 The present invention generally relates to surgical instruments and methods for
use of the same, and more particularly, but not exclusively, relates to instruments and
methods for stabilizing bony structures.

20 The use of various devices and methods for stabilizing bone structures have
been used for many years. For example, the fracture of an elongated bone, such as a
femur or humerus, can be stabilized by securing a plate to the fractured bone across
the fracture. The plate extends across the fractured area and thus stabilizes the
fractured components of the bones relative to one another in a desired position. When
the fracture heals, the plate can be removed or left in place, depending on the type of
plate that is used.

25 Another type of stabilization technique uses one or more elongated rods
extending between components of a bony structure and secured to the bony structure
to stabilize the components relative to one another. The components of the bony
structure are exposed and one or more bone engaging fasteners are placed into each
component. The elongated rod is then secured to the bone engaging fasteners in order
30 to stabilize the components of the bony structure.

 One problem associated with the above described stabilization structures is that
the skin and tissue surrounding the surgical site must be cut, removed, and/or
repositioned in order for the surgeon to access the location where the stabilization
device is to be installed. This repositioning of tissue causes trauma, damage, and

scarring to the tissue. There are also risks that the tissue will become infected and that a long recovery time will be required after surgery for the tissue to heal.

Minimally invasive surgical techniques are particularly desirable in, for example, spinal and neurosurgical applications because of the need for access to
5 locations deep within the body and the danger of damage to vital intervening tissues. The development of percutaneous minimally invasive spinal procedures has yielded a major improvement in reducing recovery time and post-operative pain because they require minimal, if any, muscle dissection and can be performed under local
10 anesthesia. These benefits of minimally invasive techniques have also found application in surgeries for other locations in the body where it is desirable to minimize tissue disruption.

Examples of instruments and techniques for performing surgeries using minimally invasive techniques are found in U.S. Patent Nos. 5,792,044 and 5,902,231 to Foley et al. While these techniques are steps in the right direction, there remains a
15 need for instruments and methods for stabilizing bony structures using minimally invasive techniques. This need and others are addressed by the present invention.

SUMMARY OF THE INVENTION

The present invention relates to devices and methods for insertion of an
20 orthopedic brace to one or more anchors secured to an animal subject.

In one aspect of the invention, there is provided a method for using an instrument to connect at least two bone anchors with a connecting element. The instrument is secured to the anchors and manipulated to place the connecting element in a position more proximate the anchors.

25 In another aspect of the present invention, there is provided a method that includes: placing at least two anchors in a bony structure, each of the anchors having an extension associated therewith; attaching a brace inserter of an installation instrument to the extensions; and guiding a brace into a desired position relative to the anchors.

30 In a further aspect of the invention, there is provided an instrument for placing a brace or connecting element into a desired position relative to at least two anchors.

The instrument employs a fixed geometric relationship to guide the connecting element into a position proximate the anchors.

In yet a further aspect of the invention, there is provided an instrument for placing a connecting element into a desired position proximate the location of two anchors. The instrument is mounted to the at least two anchors and holds the connecting element in spatial relation to the anchors about a pivot point. The instrument is rotated about the pivot point to guide the connecting element to the desired position.

According to an additional aspect of the invention, there is provided an installation instrument having a brace secured thereto. The brace is indexed so that the brace can assume only a desired orientation when secured to the installation instrument.

According to one aspect of the invention, the percutaneous brace placement device includes first and second anchor extensions and a pivoting brace inserter mounted to the anchor extensions about a pivot axis. The pivoting brace inserter includes an arm having a brace mounting portion at its distal end for connecting an orthopedic brace to the device.

In another aspect of the present invention, the installation instrument includes a support arm engaged to the anchor extension. An anchor is engaged to the distal end of each anchor extension. Preferably, the anchors are in the form of a multi-axial screw capable of allowing universal rotation of the anchor extension. In one form, the arm is located at a predetermined radius from the pivot axis and in a curve at a substantially constant radius relative to the pivot axis to the brace mounting portion. In yet another form, a brace gripper or coupler is operable to selectively grip and release an orthopedic brace from the inserter. In another form, a brace has one end connected at the brace mounting portion and an opposite end adapted to puncture soft tissue of an animal body. Preferably, the brace and pivot arm lie in a circle centered on the pivot axis at a constant radius. The brace is curved at the constant radius relative to the pivot axis in one plane, and the brace is oriented to lie in the circle.

According to another aspect of the invention, a method of installing an orthopedic brace in an animal subject is provided. The method comprises placing first and second anchors mounted on first and second anchor extensions, respectively,

percutaneously in first and second bony parts of the body of the subject; mounting a brace inserter on the anchor extensions, the inserter having a pivot axis about the anchor extensions; mounting the brace on the pivoting brace inserter; and swinging the brace inserter relative to the anchor extensions about the pivot axis and thereby
5 moving the brace in a forward direction through an arc centered on the pivot axis and introducing an end of the brace percutaneously to the location of the anchors. In a further form, the brace is fixed to the anchors; the inserter disconnected from the brace; and the inserter moved in a reverse direction through the arc and to remove the inserter from the body. Preferably, the brace is a shaft curved at a single radius about
10 an axis co-linear with the pivot axis of the arc, and the method further includes introducing the shaft through receivers in the anchors during the introduction step.

In yet another aspect of the present invention, anchors, or anchors and anchor extensions are placed by image guided navigation to locate optimum placement and orientation of the anchors in pedicles of vertebral bodies of a single level of the spine
15 of the animal. The image guided technology is also used to determine animal skin locations for percutaneous puncture entry of the anchors. In one form the anchors are cannulated and inserted over guidewires anchored in the vertebral bodies.

According to another aspect of the invention, a technique for spinal fusion of adjacent vertebral bodies of the animal spine is provided. The method includes
20 removal of intervertebral disc material from the space between first and second vertebral bodies of the subject. One or more interbody fusion devices are introduced into the space. First and second anchors are engaged to the first and second vertebral bodies, respectively, through first and second percutaneous punctures in the subject. A curved brace is installed through a third percutaneous puncture in the subject using
25 an installation instrument. The brace is connected to the anchors by application of fastening tool to the anchors through the first and second punctures.

In another form of the present invention, a curved brace is installed by swinging the brace through an arc in a plane containing the brace and perpendicular to the axis of curvature of the brace, and passing portions of the brace into passageways in the
30 anchors. The pivot axis of the brace is at a fixed distance from the passageways equal to the radius of curvature of the brace.

One object of the present invention of the present invention is to provide minimally invasive techniques and instruments for stabilizing a bony structure in an animal subject.

5 Related features, aspects, embodiments, objects and advantages of the present invention will be apparent from the following description.

BRIEF DESCRIPTION OF THE DRAWINGS

FIG. 1 is a perspective view of a brace and an installation instrument for installing the brace according to one embodiment of the present invention.

5 FIG. 2 is an enlarged fragmentary section view taken at line 2-2 of FIG. 1 and viewed in the direction of the arrows.

FIG. 2a is a side elevational view of another embodiment of a brace inserter.

FIG. 3 is an enlarged fragmentary exploded view of the connection of the brace to a portion of the installation instrument.

10 FIG. 3a is an enlarged fragmentary exploded view of another embodiment connection of the brace to a portion of the installation instrument.

FIG. 4 is an enlarged section view of a portion of the installation instrument taken at line 4-4 of FIG. 1.

FIG. 5 is an end view, on a smaller scale than FIG. 4, of an outer sleeve comprising a portion of the installation instrument of FIG. 1.

15 FIG. 6 is an enlarged section view of a portion of the installation instrument taken through line 6-6 of FIG. 1.

FIG. 7 is a perspective view on a much smaller scale than FIGs. 4 and 6 of an inner sleeve comprising a portion of the installation instrument of FIG. 1.

20 FIG. 8 is a perspective view of a further embodiment of a brace and an installation instrument according to the present invention.

FIG. 9 is an exploded perspective view of a portion of the installation instrument of FIG. 8.

FIG. 9a is a section view taken through line 9a-9a of FIG. 9.

25 FIG. 10 is a side elevational view of the portion of the installation instrument of FIG. 9

FIG. 11 is a side elevational view of the brace coupler of the installation instrument of FIG. 8.

FIG. 11a is an enlarged detail view of a portion of the brace gripper of FIG. 10.

30 FIG. 12 is an enlarged detail view of the portion of installation instrument connected to an indexed brace.

FIG. 13 is an enlarged view of a trocar and the portion of the installation instrument connected thereto.

FIG. 14 is an elevational view of an inner sleeve forming a portion of the anchor extension of the installation instrument of FIG. 8.

FIG. 15 is a right hand end view of the inner sleeve of FIG. 14.

5 FIG. 16 is a side elevational view of a first outer sleeve forming a portion of the anchor extension of the installation instrument of FIG. 8.

FIG. 17 is a side elevational view of a second outer sleeve forming a portion of the anchor extension of the installation instrument of FIG. 8 rotated 90 degrees about its longitudinal axis as compared with the first outer sleeve of FIG. 16.

FIG. 18 is a perspective view of a guidewire.

10 FIG. 19 is a perspective view of a cannulated awl usable in a surgical technique with the installation instrument of the present invention.

FIGs. 20a and 20b are perspective views of driver tools usable in a surgical technique with the installation instrument of the present invention.

15 FIG. 21 is a side elevational view of a portion of the spinal column and the installation instrument along with a cannula for performing surgical procedures in the disc space.

FIG. 22 is a top plan view of the instruments of FIG. 21 at the skin level.

FIGs. 23 and 24 are perspective views of another embodiment of an installation instrument of the present invention usable in a two level stabilization procedure.

DESCRIPTION OF THE ILLUSTRATED EMBODIMENTS

For the purposes of promoting an understanding of the principles of the invention, reference will now be made to the embodiments illustrated in the drawings and specific language will be used to describe the same. It will nevertheless be understood that no limitation of the scope of the invention is thereby intended. Any such alterations and further modifications in the illustrated devices, and such further applications of the principles of the invention as illustrated herein are contemplated as would normally occur to one skilled in the art to which the invention relates.

The present invention is directed to instruments and methods for insertion of a brace for connection with anchors engaged to bony parts of the body. Referring to FIG.1, connecting element or brace 90 is preferably an elongated rod or shaft curved along its length between a connecting end 91 and an insertion end 92 with a radius of curvature R. However, it should be understood that the present invention contemplates that brace 90 can include any configuration known for a rod, implant, or fastener, so long as brace 90 is insertable using installation instrument 20. Further, brace 90 can be elastic or super-elastic member in the form of a cable, band or artificial ligament that used in tethering or other surgical procedures. Brace 90 can be percutaneously or non-percutaneously inserted with an installation instrument 20 into passageways of anchors engaged to a bony structure in the body of an animal subject to stabilize the bony structure.

In the illustrated embodiment, brace 90 is a shaft curved at a single radius R along an arc A, and brace 90 has an axis co-linear with arc A. However, it is contemplated that brace 90 can have a curvature that differs from arc A, or can have a curvature that varies or is compounded along its length. The curvature of brace 90 can be defined by any one or any combination of mathematical relationships, including, for example, linear, exponential, logarithmic, trigonometric, geometric, parabolic, quadratic, cubic, hyperbolic, elliptic, or parametric relationships. Brace 90 in FIG. 1 is inserted via the installation instruments of the present invention through passageways 70a and 70b of anchors 60a and 60b, respectively in order to stabilize adjacent vertebrae V1 and V2. The installation instrument can employ any type of fixed geometric relationship to insert brace 90 into passageways 70a and 70b. This fixed geometric relationship can be governed any one or combination of a pinned

joint, a cam, a four-bar linkage, a guide member that provides a path for translational movement of brace 90, or any other mechanical relationship that would occur to those skilled in the art.

Installation instrument 20 illustrated in FIG. 1 includes a first support arm 22a
5 and a second support arm 22b. Support arms 22a, 22b are pivotally connected at a proximal end 32 of a brace inserter 24. Brace inserter 24 includes a distal end 33 from which a brace 90 extends. A pivot arm 31 has a straight portion 31a extending from proximal end 32 to a curved portion 31b that extends to a brace mounting portion 25 at distal end 33. Inserter 24 is pivotable about a pivot axis P to define a
10 curvilinear arc or axis A. Brace mounting portion 25 includes a brace receiving opening 35 at distal end 33.

Preferably, brace 90 is supported by mounting portion 25 in receiving opening 35 so that brace 90 is relatively fixed with respect to inserter 24, maintaining alignment of brace 90 along arc axis A during insertion of brace 90. Curved portion
15 31b includes a channel 34 extending therealong that receives a brace coupler 36 therein. Preferably, brace coupler 36 is an elongated pin that extends along arc axis A from distal end 33 to a thumb screw 37 adjacent pivot arm 31. As shown in FIG. 3, brace coupler includes an elongated pin having a distal end 36a that is preferably threaded, and is received within an internally threaded bore 93 formed at brace
20 connecting end 91. It is further contemplated that the pin can be a wire or a flexible rod. Thumb screw 37 is manipulated by the surgeon to connect brace 90 to inserter 24 at brace mounting portion 25. After brace 90 is inserted, the surgeon manipulates thumbscrew 37 to disconnect brace 90 from inserter 24.

The present invention also contemplates other mechanisms for connecting brace
25 90 to inserter 24. For example, in FIG. 3a brace coupler 36 includes a draw bar 140 positionable within channel 34. Bar 140 has a distal end 142 with a pair of opposed jaws 143 forming a mouth 145. Each jaw 143 includes a tooth 144 projecting therefrom towards the opposing jaw. Brace 90' is the same as brace 90, except brace 90' has a connecting end 91' with a connecting post 94 extending therefrom.

30 Connecting post 94 is tapered from connecting end 91' to tip 96, and is configured to mate with jaws 143 in mouth 145 when jaws 143 are clamped around connecting post 94. Connecting post 94 includes a recess 95 formed adjacent

connecting end 91' configured to receive teeth 144 therein. In order to clamp connecting post 94, a proximal end of draw bar 140 extends from inserter 24, as shown in FIG. 1 with respect to coupler 36, and has a threaded thumbscrew engaged thereto. The jaws are actuated and clamped around connecting post 94 by threading the thumbscrew in an appropriate direction to draw bar 140 into channel 34. Jaws 143 are pressed towards one another and teeth 144 are received into recess 95, thereby connecting brace 90' to inserter 24. Preferably, connecting post 94 is indexed so that brace 90' can only be coupled to inserter 24 with brace 90' extending along axis A. This indexing can be accomplished by providing two recesses 95 each sized to receive tooth 144 and positioned on post 94 such that brace 90' can only be coupled via teeth 144 if brace 90' is oriented along axis A.

Inserter 24 has a bottom surface 25a that is preferably curved along axis A to facilitate smooth percutaneous insertion of brace 90. Further, curved portion 31b has at mounting portion 25 a thickness t_1 between bottom surface 25a and a top surface 25b. The thickness increases along the length of curved portion 31b of pivot arm 31 in a smooth taper to a thickness t_2 adjacent the straight portion 31a. Thickness t_2 is preferably greater than thickness t_1 , facilitating percutaneous insertion and withdrawal of curved portion 31b while minimizing damage and trauma to the surrounding tissue.

Support arms 22a and 22b have proximal end portions adjacent axis P with tool bores 26a and 26b, respectively, for receiving a driving tool therethrough to manipulate anchors 60a and 60b, respectively, as described further below. In the illustrated embodiment, support arm 22a includes an upper post 28a having a channel 23a extending upwardly to the proximal end portion and communicating with tool bore 26a. An anchor extension 30a is mounted in channel 23a via a thumbscrew 27a threadedly received in a threaded aperture 29a that extends through upper post 28a and anchor extension 30a. Anchor extension 30a is mounted at its lower or distal end to anchor 60a. Similarly, support arm 22b includes an upper post 28b having a channel 23b communicating with tool bore 26b. An anchor extension 30b is mounted in channel 29b via a thumbscrew 27b threadedly received in a threaded aperture (not shown) extending through upper post 28b and anchor extension 30b. Anchor 30b is mounted at its lower or distal end to anchor 60b. The present invention also

contemplates that upper post 28a and anchor extension 30a, and similarly upper post 28b and anchor extension 30b, are not separate components but rather are formed as a unit to which brace inserter 24 is pivotally attached.

Inserter 24 is pivotally connected to upper posts 28a and 28b of support arms 22a and 22b, respectively. As shown in FIG. 2, a cross-section taken at line 2-2, inserter 24 is positioned between support arms 22a and 22b. Upper post 28a has a cylindrical portion 46a with a first flanged bushing 47a extending therefrom. Upper post 28b has a cylindrical portion 46b with a second flanged bushing 47b extending therefrom. Bushings 47a and 47b are rotatably received in a through-hole 39 that extends through pivot arm 31. Bushings 47a and 47b define a through opening 48 for receiving a pin 49 therein to secure posts 28a and 28b to pivot arm 31. Preferably, pin 49 is threaded along a portion of its length to engage internal threads in bushing 47a, and the head of pin 49 sits within a countersink formed in cylindrical portion 46b at bushing 47b to maintain clearance of bore 26b.

An alternate form of pivot arm 31 for pivoting rod inserter 24 is illustrated in FIG. 2a and designated as rod inserter 24', and like elements between inserter 24 and 24' are designated with like reference numerals. Inserter 24' has pivot arm 122 extending from curved portion 31b to a proximal end 123. A handle 128 is positioned adjacent brace mounting portion 25 on pivot arm 122 to facilitate percutaneous insertion of brace 90 and withdrawal of the instrument by the surgeon. A pair of arms 124, 126 adjacent proximal end 123 form a passage therebetween. The passage is configured to receive support arms 22a, 22b between arms 124 and 126. Holes 125 and 127 formed through arm 124 and 126, respectively, are provided for a connection mechanism to pivotally connect inserter 24' to support arms 22a and 22b.

Referring now to FIG. 4, details of anchor extensions 30a and 30b and anchors 60a and 60b (hereinafter collectively referred to as anchor extension 30 and anchor 60) will now be described. In FIG. 4, anchor 60 is shown fragmentarily as a bone screw 61 with its head 63 mounted in a receiver or connector. In FIG. 1, screws 61a and 61b are shown cannulated with central passage 85a and 85b, respectively; however, non-cannulated screws 61 are also contemplated.

In the illustrated embodiment, the receiver or connector is a yoke 68 that defines a passageway 70 for receiving brace 90 therethrough and a set screw 76 to secure

brace 90 in yoke 68. Yoke 68 is mountable to anchor extension 30 before and during percutaneous placement and securement of anchor 60 to the bony structure. Anchor extension 30 includes an outer sleeve 40 and an inner sleeve 50 disposed within a bore 45 through outer sleeve 40. Inner sleeve 50 defines a bore 51 therethrough that communicates with the channel and tool bore 26 of the upper post 28 to which inner sleeve 50 is attached (FIG. 1). Distal end 53 of inner sleeve 50 includes a lip 52 extending radially therearound projecting into inner bore 51. Lip 52 retains set screw 76 on inner sleeve 50 with screw 76 at least partially threaded into yoke 68, thereby mounting anchor 60 on anchor extension 30.

Screw 61 has bone engaging threads formed on shank 62 and a head 63 that includes tool opening 64, such as a hex opening or the like, configured to receive a driving tool. In a preferred form, anchor 60 is a multi-axial screw assembly that has yoke 68 pivotably coupled to head 63 of screw 61. However, the use of an anchor 60 that does not include a screw having multi-axial capabilities is not precluded by the present invention. As is known in the art, screw 61 is capable of being rotated within yoke 68 to assume a plurality of angles between axes L1 and L2. Further, screw 61 can be rotated 360 degrees about axis L at any one of the angular positions between axis L1 and L2. One specific example of a multi-axial screw having application with the present invention is described in U.S. Patents Nos. 5,797,911 and 5,879,350, each of which is incorporated herein by reference.

In the illustrated example, anchor 60 includes a connector in the form of a generally cylindrical yoke 68 having passageway 70 therethrough for receiving brace 90. Head 63 of screw 61 is received within a bowl 69 formed at the bottom of yoke 68. A groove 67 is formed in bowl 69, and a collar 65 is retained in bowl 69 via groove 67. Collar 65 captures screw 61 in yoke 68, and is configured to mate with head 63 to allow multi-axial orientations of screw 61 as described above. A cap 66 is positioned over head 63 and limits upward displacement of screw 61 in yoke 68.

Yoke 68 includes arms 71 extending upwardly from bowl 69 on opposite sides of passageway 70. Arms 71 have internal threads 72 configured to mate with external threads 77 on set screw 76. Set screw 76 has upper tool engaging portion 78 having tool dimension d2 and a lower tool engaging portion 79 having tool dimension d1 that is less than d2. Set screw 76 has a shoulder 80 that is supported on inner sleeve 50 by

lip 52. Set screw 76 is positioned with shoulder 80 on lip 52 by threading external threads 77 past lip 52. In FIG. 4, set screw 76 is partially threaded into internal threads 72 of yoke 68 in order to couple anchor 60 to anchor extension 30. Upper tool engaging portion 78 has a reduced thickness portion 81 where it joins lower tool engaging portion 79. Thus, in this embodiment, set screw 76 is a break-off type set screw which severs at reduced thickness portion 81 when a predetermined threshold torque is applied at upper tool engaging portion 78, thus allowing a desirable and uniform securing force to be applied to brace 90 with each of the set screws 76. Another advantage is that set screw 76 can be released from anchor extension 30 when set screw 76 is severed.

Yoke 68 is received within recess portion 42 at distal end 41 of outer sleeve 40. As shown in FIG. 5, an end view of outer sleeve 40, recess 42 is shaped with a generally cylindrical wall with a couple of flat surface to conform to the outer perimeter of yoke 68 at upper end surfaces 73. Upper surfaces 73 of arms 71 are held firmly against recessed surface 44 by set screw 76, which is releasably coupled to yoke 68 and inner sleeve 50, by drawing yoke 68 into recess 42 via inner sleeve 50. Anchor 60 is mounted to anchor extension 30 and held in a fixed position relative to anchor extension 30. Axis L3 of anchor extension 30 is aligned with axis L1 of bone screw 61 when a guidewire, such as guidewire 280 of FIG. 18, or a tool, such as tool 100 or 100' of FIGs. 20 and 20b is inserted into screw 61 to maintain anchor 60 in this aligned position.

Referring to FIGs. 6 and 7, inner sleeve 50 and its connection with outer sleeve 40 will be further described. Inner sleeve 50 includes lower cylindrical tubular body portion 53. Fingers 54 extend from body portion 53 to upper end 55 of inner sleeve 50. Fingers 54 include retainers 56 adjacent upper end 55. A pin or nub 58 is positioned on and extends from the outer surface of each finger 54. Outer sleeve 40 includes upper paired holes 57a and lower paired holes 57b, which serve as catches. As shown in FIG. 6, nubs 58 are positionable within catches 57a or 57b formed in outer sleeve 40 to hold inner sleeve 50 relative to outer sleeve 40. Retainers 56 contact upper end 46 of outer sleeve 40 when nubs 58 are positioned in lower catches 57b. Retainers 56 limit the depth of insertion of inner sleeve 50 into bore 45 of outer sleeve 40. Retainers 56 also facilitate insertion and withdrawal of inner sleeve 50

relative to outer sleeve 40 by providing the surgeon means to grasp fingers 54 and squeeze.

Finger 54 can be deflected towards one another as indicated by arrows P in order to disengage nubs 58 from catches 57a and 57b, thus allowing rotation and axial translation of inner sleeve 50 in outer sleeve 40. Outer sleeve 40 includes notches 59
5 formed at upper end 46 on opposite sides of outer sleeve 40 between respective ones of the paired catches 57a and paired catches 57b. Notches 59 allow inner sleeve 50 to be positioned in outer sleeve 40 with nubs 58 at a depth approximating the location of catches 57a and 57b without deflecting fingers 54. Fingers 54 can then be pressed
10 together to withdrawal nubs 58 from notches 59, allowing inner sleeve 50 to be rotated and nubs 58 positioned in the desired paired catches 57a or paired catches 57b.

With nubs 58 positioned in lower catches 57b, set screw 76 extends into recess portion 42 of outer sleeve 40 enough to allow anchor 60 to be mounted on extension 30 by threading set screw 76 partially into yoke 68. Nubs 58 can then be
15 positioned in upper catches 57a, retracting yoke 68 into recessed portion 42 of outer sleeve 40 to hold anchor 60 firmly in place as shown in FIG. 4 and described above. Anchor 60 can thus be pre-assembled with anchor extension 30 before engaging anchors 60 to the bony structure, allowing the assembled anchor 60 and anchor extension 30 to be positioned percutaneously together in a minimally invasive
20 approach to the bony structure. However, it is also contemplated that anchor extension 30 can be mounted on an anchor 60 that is already engaged to the bony structure.

Referring now to FIGs. 8 and 9, another embodiment of an installation instrument is illustrated. In FIG. 9, anchor extensions 230 are not illustrated. Anchor
25 extensions 230 include an inner sleeve 240 that is received proximally within outer sleeve 250 in a manner similar to that described above with respect to anchor extension 30. The inner sleeve 240 and outer sleeve 250 are further illustrated in FIGs. 14-17, and are described in further detail below.

Installation instrument 220 includes a brace inserter 224 having a first support
30 arm 222a and a second support arm 222b. Support arms 222a, 222b come together and are fixedly connected at a proximal end 232 of a pivot arm 231. Referring now further to FIGs. 9a and 10, pivot arm 231 includes a distal end 233 from which brace

290 extends. Brace inserter 224 includes a brace mounting portion 225 adjacent distal end 233 for securing a brace, such as brace 290, thereto. Brace 290 is similar to brace 90, and includes a connecting portion 291 as described further below. Brace inserter 224 is pivotable about a pivot axis P to define a curvilinear arc or axis A. Pivot arm 231 of brace inserter 224 is preferably curved along curved portion 231b to follow axis A and facilitate smooth percutaneous insertion and withdrawal of pivot arm 231. As shown in FIG. 9a, brace mounting portion 225 includes a brace receiving opening 235 extending proximally from distal end 233.

Pivot arm 231 includes a channel 234 extending from distal end 233 therealong towards proximal end 232. Channel 234 receives a brace coupler 236 therein that is secured to inserter 224 by a nut 239 and pin 228. For the purposes of clarity, nut 239 and brace coupler 236 are shown displaced from channel 234 except at distal end 233. Preferably, brace coupler 236 is an elongated flexible member that extends with arc axis A from distal end 233 through nut 239 to a set screw 237 adjacent proximal end 232. Coupler 236 is pivotably coupled to inserter 224 at brace mounting portion 225 via pin 228. Set screw 237 is threadingly received in a threaded opening formed in nut 239. Brace mounting portion 225 also includes stop pin 229 extending therethrough in communication with brace receiving opening 235.

Referring now further to FIGs. 11-12, brace 290 is positionable in brace receiving opening 235 so that brace 290 is relatively fixed with respect to inserter 224 by brace coupler 236, maintaining alignment of brace 290 along arc axis A during insertion of brace 290. Brace coupler 236 includes gripping portion 270 at its distal end for gripping brace 290. Gripping portion 270 has through-hole 272 receiving pin 228 therethrough and rotatably coupling gripping portion 270 at brace mounting portion 225. Gripping portion 270 further includes a tooth 274 extending therefrom at its distal end 271. A notch 276 extends proximally from tooth 274.

Brace 290 has a connecting end 291 with a connecting post 294 extending therefrom. Preferably, connecting post 294 is tapered from connecting end 291 to tip 296, and has a recess 297 with a length and depth configured to receive tooth 274 at the end of the recess 297 adjacent tip 296 and stop pin 229 at the end of recess 297 adjacent connecting end 291. Stop pin 229 contacts brace 290 in recess 297 to limit the depth of insertion of brace 290 into opening 235.

In one aspect of the invention, brace 290 is indexed by providing a single recess 297 at a predetermined location on post 294. Post 294 cannot be inserted properly into channel 235 unless stop pin 229 is received in recess 297, thus ensuring an orientation of brace 290 with respect to inserter 224 that is determined by the position of recess 297 with respect to stop pin 229. Preferably, the position of recess 297 is such that it is located with respect to gripping portion 270 so that the radius of curvature of brace 290 extends from inserter 224 along arc axis A. This ensures accurate positioning and orientation of brace 290 with respect to anchors 60 during installation of brace 290.

In order to grip brace 290 when connecting portion 291 is placed into opening 235, gripping portion 270 is rotated downwardly about pin 228 in the direction of arrow R by drawing brace coupler 236 proximally via threading of set screw 237 in a first direction with respect to lock nut 239. Set screw 237 is threaded in an opposite second direction to push brace coupler 236 distally and therefore bend coupler 236, rotating tooth 274 about pin 228 in the direction opposite arrow R out of recess 297 thereby releasing brace 290.

Referring back to FIGs. 8 and 9, support arms 222a and 222b have through-holes 223a, 223b for receiving a clamping mechanism 221. Clamping mechanism 221 draws arms 222a, 222b towards one another to pivotably secure anchor extensions 230a, 230b therebetween. Pivot nuts 225a and 225b are positionable in through holes 223a and 223b, respectively. A clamping bar 225 extends between arms 222a and 222b, and has threaded bores at each end that allow bar 225 to be secured to and clamp arms 222a, 222b via threaded fastener 226 and clamping knob 227 having a threaded stem 227a. Clamping knob 227 is manipulated by the surgeon to secure or release extensions 230a and 230b from arms 222a and 222b.

In the illustrated embodiment, pin 260a is press fit into opening 262a of arm 222a. Anchor extension 230a is rotatably mounted on support arm 222a via pin 260a. Similarly, anchor extension 230b is rotatably mounted on support arm 222b via pin 260b press fit into opening 262b of arm 222b. Other techniques for securing pins 260a, 260b and mounting extensions 30a, 30b thereto are also contemplated as would occur to those skilled in the art. Each arm 222a, 222b can be provided with a stop bar 264a, 264b extending therefrom towards the other support arm 222b, 222a,

respectively. Stop bars 264a and 264b limit rotation of instrument 220 along axis A when stop bars 264a, 264b contact a corresponding one of the extensions 230a, 230b.

Referring now to FIGs. 14-17, anchor extensions 230 that coupled to inserter 224 will now be described in further detail. These anchor extensions 230 are
5 illustrated in an assembled condition in FIG. 8. It should be noted that second outer sleeve 240b of FIG. 17 is illustrated rotated 90 degrees about its longitudinal axis as compared with the orientation of the elevational view of first outer sleeve 240a of FIG. 16.

Although anchors are not shown in FIG. 8, anchor extension 230a can have
10 mounted thereon at its lower or distal end a first anchor, such as anchor 60a described above. Similarly, anchor 230b can have mounted at its lower or distal end a second anchor, such as anchor 60b, described above. Anchor extensions 230a, 230b, collectively referred to as anchor extensions 230, each include outer sleeve 240 and an inner sleeve 250 disposed within a bore 245 through outer sleeve 240. Inner sleeve
15 250 defines a bore 251 therethrough that allows tools to extend to the anchor. Distal end 253 of inner sleeve 250 includes a lip 252 extending radially therearound projecting into inner bore 251. Lip 252 supports a set screw, such as set screw 76 described above, on the distal end of inner sleeve 250.

Yoke 68 is preferably received within end portion 242 at distal end 241 of outer
20 sleeve 240. As shown in FIG. 16, end portion 242 has a U- shaped opening that is alignable with passageway 70 to accommodate insertion of brace 290 therethrough. The arms 244 of end portion 242 are alignable with the arms 71 of yoke 68, receiving arms 71 therein, firmly securing anchor 60 onto anchor extension 230 during insertion of the anchor.

25 The positioning of inner sleeve 250 into outer sleeve 240 will be further described, although those skilled in the art will appreciate that anchor extension 30 and anchor extension 230 are similar in many respects. Inner sleeve 250 includes lower gripping elements or fingers 254 that include circular relief portions 277 therebetween to allow flexing of fingers 254. Inner sleeve 250 further includes upper
30 notch 256 and lower notch 256' between fingers 254 and upper end 255. Outer sleeve 240 includes a plunger-type spring biased retainer 257 extending therein adjacent bore 245 having a cross bar 258 extending transversely from a plunger 259. Cross bar 258

is selectively positionable in a desired one of the notches 256 and 256' to hold inner sleeve 250 relative to outer sleeve 240. Shoulder 261 limits the depth of travel of inner sleeve 250 distally into bore 245 of outer sleeve 240. When cross bar 258 is in upper notch 256, set screw 76 of anchor 60 can be threaded onto or pushed between
5 fingers 254 at distal end 253, where set screw 76 is retained thereon by lip 252.

If not already secured to set screw 76, yoke 68 can then be at least partially threaded onto set screw 76. Movement of inner sleeve 250 relative to outer sleeve 240 is facilitated by depressing plunger 259 to lift cross bar 258 out of upper notch 256. Inner sleeve 250 is moved proximally to position cross bar 258 in lower notch
10 256', drawing yoke 68 between the arms 244 and against end portion 242 with passage 70 aligned with the U-shaped opening between the arms 244. Axis L3 of anchor extension 230 is aligned with axis L1 of bone screw 61 when a guidewire or a tool, such as tool 100 or 100' of FIGs. 20 and 20b is inserted into screw 61 to maintain anchor 60 in this aligned position. An alignment pin 263 of inner sleeve 250
15 is received in slot 249 of outer sleeve 240 to ensure and maintain proper alignment of inner sleeve 250 in outer sleeve 240.

The assembly of anchor extensions 230a and 230b to one another and also to inserter 224 will now be described. Each anchor extension 230 includes passage 248 through outer sleeve 240 adjacent the proximal end 243. A coupling pin 249a is press
20 fit or otherwise secured in passage 248a on the side of anchor extension 230a adjacent anchor extension 230b. After anchor extensions 230a and 230b and anchors 60a and 60b are secured to bony structure, anchor extensions 230a and 230b are manipulated through the skin and tissue to place pin 249a into the portion of passage 248b adjacent anchor extension 230a. Inserter 224 is secured to anchor extensions 230a and 230b
25 by placing pin 260a in a portion of passage 248a of first extension 230a opposite pin 249a, and pin 260b in a portion of passage 248b of second extension 230b opposite pin 249a. Pins 260a and 260b are rotatably received in the passages 248a and 248b, respectively, and anchors extension 230a and 230b are secured to support arms 222a and 222b via clamping mechanism 221. Bores 251a and 251b of inner sleeves 250a
30 and 250b remain substantially unobstructed for access to anchors 60a and 60b when instrument 220 is assembled.

Techniques using the above described installation instruments 20, 220 will now be described. The present invention contemplates that placement of anchors 60 into the bony structure can be completed without an anchor extension 30 or 230 mounted thereto, and anchor extension 30 or 230 is thereafter mounted on the anchor 60
5 engaged to the bony structure. Other techniques contemplate that the anchor 60 is mounted on anchor extension 30 or 230, and anchor extension 30 or 230 and anchor 60 are placed through an open incision, micro-incision, a tube or cannula, or directly through the skin and tissue of the animal subject to engage anchor 60 to a bony structure, such as the pedicles of vertebrae V1 and V2 as shown in FIG. 1.

10 The surgical techniques of the present invention can employ any type of known imaging system to determine and locate optimum placement and orientation of the anchors in the bony structure and, if necessary, to locate skin locations for percutaneous puncture entry of the anchors. Image guided systems useful in practicing the invention and in placing anchors 60 are known in the art. Examples of
15 image guided technology are provided in U.S. Patent No. 5,772,594; U.S. Patent No. 5,383,454; U.S. Patent No. 5,851,183; U.S. Patent No. 5,871,445; U.S. Patent No. 5,891,034; and PCT Publication WO 99/15097, each of which is incorporated herein by reference in its entirety. The STEALTHSTATION[®] or ION[™] systems, sold by Medtronic Surgical Navigation Technologies, Inc. can further be used with the
20 present invention for pre-operative planning and image guided navigation of anchor placement and installation of brace 90.

Other techniques for locating and placing anchors 60 into the bony structure are also contemplated herein as would occur to those skilled in the art. For example, a
25 CT scan or x-ray can be used for pre-operative planning of anchor positioning and orientation. Anchor insertion can be monitored using any known viewing instrument or apparatus. Another example contemplates anchor placement through a cannula or sleeve inserted through the skin that forms a working channel to the anchor location. Anchor placement into the bony structure can be monitored endoscopically or microscopically through the cannula.

30 In one specific technique, a guidewire, such as guidewire 280 of FIG. 18, of sufficient length is inserted percutaneously and anchored to the bony structure. The guidewire is coupled to a trackable instrument that is tracked via an image guided

surgical system that generates a display on a computer monitor. Further examples of such instruments and systems are described in further detail in PCT Publications WO 99/15097 and WO 99/26549, each of which is incorporated herein by reference in its entirety. With the guidewire secured at the appropriate location on the bony structure, various instruments for preparing and inserting the screw into the bony structure can be guided by the guidewire. The preparation and insertion can be monitored via a tracking instrument coupled to the various preparation and insertion instruments.

Various instruments can be used to prepare the surgical site for anchor insertion. For example, in FIG. 19 there is illustrated a cannulated awl 300 that is inserted over the guidewire to prepare the bony structure for screw insertion. Awl 300 has a bore 306 extending between distal end 303 and proximal end 302 that allows awl 300 to be inserted over the guidewire. Awl 300 is configured at proximal end 302 to engage a driving instrument, which can also include a tracking instrument to monitor insertion depth. Awl 300 has shaft 304 extending to distal end 303. A cutting head 307 at distal end 303 prepares a hole in the bony structure for the anchor.

After determining the desired position and orientation of guidewire 280 in the bony structure and the skin location for puncture entry and preparing the screw hole, a cannulated anchor 60 mounted on anchor extension 30 or 230 can be placed over the guidewire and advanced, for example, through the skin and tissue directly, through an incision, or through a cannula to the prepared hole. A driving tool, such as cannulated driving tool 100' shown in FIG. 20a, is used to threadingly engage anchor 60 to the bony structure. Cannulated tool 100' includes bore 106' extending between proximal end 102' and distal end 103'. Distal end 103' includes an engaging portion 107' to mate in tool engagement recess 64 of screw 61. Tool 100' is placed over the guidewire and through the tool bores of the anchor extensions 30, 230 to drive the cannulated screw 61 into the bony structure.

It is further contemplated that if the technique does not employ a guidewire, a driving tool 100 of FIG. 20b can be inserted through the tool bores of the anchor extensions 30, 230 to screw 61. Tool 100 includes proximal end 102 and a shaft 104 extending to distal end 103. Proximal end 102 is preferably configured to engage a wrench or handle to facilitate application of a driving force with tool 100. Distal end

103 includes a lower engaging portion 107 having a length configured to mate in tool engagement recess 64 of screw 61 to drive screw 61 into the bony structure.

Anchor extension 30, 230 follows anchor 60 towards the bony structure as anchor 60 is driven therein with driving tool 100 or 100'. Tool 100 is then withdrawn
5 from the tool bore, and if necessary, the guidewire is also withdrawn. In embodiments of anchor 60 having a multi-axial screw, yoke 68 and anchor extension 30, 230 are pivotable about head 63 by manipulating anchor extension 30, 230 in the skin and tissue to the desired position.

With anchors 60a and 60b secured to the bony structure, passageways 70a and
10 70b are aligned to receive brace 90. For instrument 20, upper posts 28a and 28b are mounted on anchor extensions 30a and 30b using thumb screws 27a and 27b, respectively, aligning passageways 70a and 70b. With anchors 60 employing a multi-axial screw, the anchor extensions 30a and 30b can be manipulated into the desired position for connection with upper posts 28a and 28b. For instrument 220, anchor
15 extensions 230a and 230b are manipulated to place pin 249a in passage 248b, aligning passageways 70a and 70b. Support arms 222a and 222b are secured to anchor extensions 230a and 230b with clamping mechanism 220. If anchor 60 does not have multi-axial capabilities, the orientation of the anchor extensions required to connect the inserter thereto is accounted for during the determination of the orientation and
20 positioning anchors 60a and 60b into the bony structure.

Brace 90, 290 is fixed on inserter 24, 224 and readied for percutaneous insertion into passageways 70a and 70b of anchors 60a and 60b, respectively. Preferably, brace 90, 290 is curved and has a radius of curvature equal to the distance between
25 passageways 70a, 70b and pivot axis P. Inserter 24, 224 swings about pivot axis P to move brace 90 in a forward direction along arc axis A and thereby introducing pointed end of brace 90, 290 into the subject's body towards the aligned passageways 70a and 70b. Brace 90, 290 and inserter 24, 224 are further pivoted to pass portions of brace 90 through passageways 70a and 70b of anchors 60a and 60b.

As discussed above, it is preferred that brace is indexed so that it can be secured
30 at a predetermined orientation onto the installation instrument 20, 220. This ensures alignment of brace 90, 290 along the insertion path of the installation instrument and through the passageways of anchors 60a and 60b. In a further form, trocar 390, as

shown in FIG. 13, can be used to puncture skin and tissue along the insertion path and facilitate insertion of brace 90, 290 in a percutaneous procedure. Trocar 390 has a connecting end 394 identical to that of brace 290. However, trocar 390 has a short shaft 392 extending to puncture tip 398. Puncture tip 398 has a sharp point 399 to facilitate insertion and create a pathway through skin and tissue of the patient.

Brace 90, 290 is placed through the passageways of anchors 60a and 60b to the desired position, which can be confirmed radiographically or with any known imaging technique. Set screws 76a and 76b of each anchor 60a and 60b are driven downward to contact brace 90, 290. A driving tool is placed through the tool bores of the installation instruments 20, 220 to engage either the upper tool engagement portion 78a, 78b or lower tool engagement portion 79a, 79b and drive set screw 76a, 76b downwardly, tightening it against brace 90, 290 until set screw 76a, 76b is firmly seated thereagainst. Inserter 24, 224 can then be uncoupled from brace 90, 290 and removed from the subject by swinging inserter 24, 224 back along arc axis A. A tool is positioned in upper tool engagement portion 78a, 78b to break off the upper portion of the set screw 76a, 76b upon application of the requisite torque, releasing the anchor extension 30a, 30b from anchor 60a, 60b and allowing removal of extensions 30, 230 from the subject.

The surgeon may also desire to initially seat set screw 76a, 76b using a tool in upper tool engagement portion 78a, 78b and apply sufficient torque to sever the break-off portion of set screw 76a, 76b before uncoupling brace 90, 290. In an alternate form, the driving force that is applied to set screw 76a, 76b could force shoulder 80a, 80b through lip 52a, 52b, deflecting lip 52a, 52b downward to release set screw 76a, 76b from inner sleeve 50a, 50b of instrument 20 or deflect fingers 154a, 154b outward to release set screw 76a, 76b from inner sleeve 150a, 150b of instrument 220.

In one specific application of the present invention, brace 90 is installed to stabilize a first vertebra V1 and second vertebra V2 after placement of one or more implants I into disc space D as shown in FIG. 21. The method includes removing the intervertebral disc from the space between first and second vertebral bodies through one percutaneous puncture in the subject. An implant I is introduced into the disc space. Implant I is preferably one or more interbody fusion devices or the like as is

known in the art. The first and second anchors 60a and 60b and anchor extensions 30a and 30b are engaged to the first and second vertebral bodies, respectively, through second and third percutaneous punctures in the subject as described above. If desired, the anchor extensions 30 can be manipulated by the surgeon to apply a load to compress or distract the vertebrae prior to installing brace 90. Brace 90 is installed through a fourth percutaneous puncture in the subject using installation instrument 20 and secured to anchors 60a, 60b as described above. In some surgical procedures, it may be desirable to insert one or more additional braces to stabilize the bony structure using the above described installation instrument and techniques.

The present invention has application in further minimally invasive and open techniques for placing interbody fusion device into a disc space between adjacent vertebrae. For example, transforaminal, posterior, and posterior-midline approaches to the disc space are contemplated for placement of one or more implants or interbody fusion device in the disc space. Such techniques are described in a provisional application entitled "Methods and Instruments for Endoscopic Interbody Surgical Techniques" filed on October 20, 1999 (U. S. Provisional Patent Application Serial No. 60/160,550.) This provisional application is incorporated herein by reference in its entirety.

As shown in FIG. 21, installation instrument 20 is mounted on anchors 60a and 60b engaged to vertebrae V1 and V2, respectively. Brace 90 is shown before percutaneous insertion. A cannula 110 is percutaneously inserted to a position adjacent disc space D1. As shown in FIG. 22, a plan view taken at skin surface S, first and second anchor extensions 30a, 30b and brace 90 are positioned on one side of midline M of the spine. Cannula 110 is positioned on the opposite side of midline M. One or more interbody fusion devices, bone graft material, or other material or implants are placed in the disc space. The adjacent vertebrae V1 and V2 are then stabilized by installing brace 90 as described above. Thus, a minimally invasive surgical procedure of the present invention contemplates interbody fusion and stabilization of the adjacent vertebrae to be accomplished with four entry holes or punctures through skin S.

The installation instrument of the present invention can also be used to install braces on both sides of midline M of the spine. The installation instrument can also

be used to install multiple braces at one or more levels of the spine. The present invention can be used to stabilize adjacent vertebra in conjunction with any minimally invasive or open surgical techniques for placement of one or more interbody fusion devices into a disc space as would occur to those skilled in the art. For example, one
5 or more interbody fusion devices or intervertebral spacers may be inserted into the disc space via an anterior approach. Examples of anterior approaches are described in PCT International Publication No. WO 97/30666; pending U.S. Patent Application Serial Number 09/287,917; and pending U.S. Patent Application Serial Number 09/498,426 filed on February 4, 2000; each of which is incorporated herein by
10 reference in its entirety. Further, the present invention may also be used to stabilize adjacent vertebrae, or any other bony structure, without placement of fusion devices or implants in the bony structure.

It is further contemplated that brace 90 may be installed and secured to anchors engaged in respective ones of three vertebrae using an installation instrument such as
15 the one illustrated in FIGs. 23-24 and designated generally at 320. Instrument 320 is similar to and functions principally the same as instrument 220, except instrument 320 has a size and configuration adapted for this two level stabilization procedure. In this embodiment, three anchors that are like anchor 60 (not shown) are engageable to
20 respective ones of three vertebrae or other bony structure using any of the above described techniques. Three anchor extensions 330a, 330b, 330c each include outer sleeves 340a, 340b, 340c and inner sleeves 350a, 350b, 350c that are substantially the same as outer sleeve 240 and inner sleeve 250 of instrument 220. Anchor extensions 330 are each mounted on a corresponding one of the three anchors. After the anchors are engaged to the bony structure, the three anchor extensions 330a, 330b, 330c are
25 manipulated through the skin and coupled to one another in the same manner as described above with respect to anchor extensions 230a and 230b. Support arms 322a, 322b of inserter 324 are then rotatably mounted on the anchor extensions 330a, 330b, and 330c and clamped via clamping mechanism 321. Support arms 322a, 322b and clamping mechanism 321 are similar to support arms 222a, 222b and clamping
30 mechanism 221 of installation instrument 220 except that each is sized to accommodate three anchor extensions 330 therebetween. An indexed brace 490 is similar to brace 290 and has a sufficient length for a two-level stabilization procedure.

Brace 490 is secured to pivot arm 331 and then inserted through the passageways of the anchors as described above with respect to installation instrument 220.

While the invention has been illustrated and described in detail in the drawings and foregoing description, the same is to be considered as illustrative and not
5 restrictive in character, it being understood that only the preferred embodiment has been shown and described and that all changes and modifications that come within the spirit of the invention are desired to be protected.

What is claimed is:

1. A brace installation instrument, comprising:
first and second anchor extensions, each having at least one proximal end and at least one distal end for mounting with a corresponding anchor secured to a bony structure; and
5 a pivoting brace inserter having a proximal end and a distal end, and including support arms mounted adjacent the proximal end of said anchor extensions and a pivot arm extending to a brace mounting portion at the distal end of said inserter, said pivoting brace inserter pivotable about a pivot axis relative to said anchors.
10
2. The instrument of claim 1, wherein each of said anchor extensions are pivotably mounted with a corresponding one of the anchors and said brace inserter is pivotably secured to said support arms.
- 15 3. The instrument of claim 1, wherein each of the support arms is pivotably secured to a corresponding one of the anchor extensions.
4. The instrument of claim 3, wherein said anchor extensions are coupled together adjacent their proximal ends.
20
5. The instrument of claim 1 and wherein said inserter is located between said support arms.
6. The instrument of claim 1 and wherein:
25 said brace mounting portion is located at a predetermined radius from said pivot axis; and
a brace mounted in said brace mounting portion extends in a curve at a substantially constant radius relative to said pivot axis from said brace mounting portion.
30
7. The instrument of claim 1 and further comprising a brace coupler operable to selectively couple and release a brace from said inserter.

8. The instrument of claim 7, wherein said brace is a circular rod.

9. The instrument of claim 7, wherein said brace has two ends, one end
5 being connectable to said brace coupler and the other end being adapted to puncture
soft tissue of an animal body, said brace being curved in one plane and with one
radius relative to said pivot axis.

10. The instrument of claim 9 and wherein said brace inserter includes a
10 curved portion that lies in a circle centered on said pivot axis at said radius, and
said brace is oriented to lie in said circle when connected with said brace coupler.

11. The instrument of claim 10 and wherein:
said brace has a maximum dimension measured in a direction parallel to said
15 pivot axis; and
said curved portion tapers to a maximum dimension more than twice said
maximum dimension of said brace when measured in a direction parallel to said pivot
axis, to facilitate passage of said curved portion through soft tissue while moving
behind said brace in said arc about said pivot axis during brace placement.

20

12. The instrument of claim 9, wherein the distal end of said brace is
pointed to facilitate puncture of animal skin and soft tissue.

13. The instrument of claim 1, wherein each anchor includes a multi-axial
25 screw and said anchor extensions are pivotably and rotatably mounted on said multi-
axial screw.

14. A device for use in a surgical procedure on an animal subject,
comprising:
30 a pair of anchors secured to the animal subject;

an installation instrument mounted on said pair of anchors, said installation instrument movable in a fixed geometrical relationship with respect to said pair of anchors; and

5 a connecting element coupled to said installation instrument, wherein said installation instrument moves said connecting element into a position more proximate to said pair of anchors.

10 15. The device of claim 14, wherein said connecting element is moved percutaneously to said position.

16. The device of claim 14, wherein said installation instrument is mounted excutaneously.

15 17. The device of claim 14, wherein said anchors are each engaged to bony structure in the animal subject.

18. The device of claim 17, wherein the bony structure is a vertebral body.

20 19. The device of claim 14, wherein said installation instrument includes a pair of anchor extensions each mounted on a corresponding one of said pair of anchors.

25 20. The device of claim 19, wherein said installation instrument includes a pair of support arms each coupled to a corresponding one of said anchor extensions.

21. The device of claim 20, wherein said support arms are pivotably coupled to said anchor extensions.

30 22. The device of claim 21, wherein said device includes a clamping bar extending between said support arms releasably clamping said anchor extensions between said support arms.

23. The device of claim 20, wherein said installation instrument includes a pivoting inserter pivotably coupled to said support arms.

24. The device of claim 14, wherein said anchors each include a passage
5 and said connecting element is moved into said passages.

25. The device of claim 24, wherein said anchors each include a set screw for securing said connecting element in said passage to said anchor.

10 26. The device of claim 25, wherein each of said set screws is releasably secured to said installation instrument.

27. The device of claim 14, wherein said anchors are multi-axial bone screws.
15

28. The device of claim 14, wherein said installation instruments moves said connecting element along an arc.

29. The device of claim 28, wherein said arc has a center of curvature
20 defined by a pivot axis of said installation instrument.

30. A device for use in a surgical procedure on an animal subject, comprising:
a pair of anchors secured to the animal subject;
25 an installation instrument mounted on said pair of anchors, said installation instrument having a pivot axis in a fixed spatial relationship with respect to said pair of anchors; and
a connecting element coupled to said installation instrument, wherein said installation instrument is rotated about said pivot axis to guide said connecting
30 element into a desired position relative to said pair of anchors.

31. The device of claim 30, wherein said connecting element extends from said installation instrument in a curve at a substantially constant radius relative to said pivot axis.

5 32. The device of claim 30, wherein said installation instrument further comprises a coupler operable to selectively couple and release said connecting element from said installation instrument.

10 33. The device of claim 32, wherein said connecting element is indexed.

34. The device of claim 30, wherein said installation instrument includes a pair of anchor extensions each mounted on a corresponding one of said pair of anchors.

15 35. The device of claim 34, wherein said installation instrument includes a pair of support arms each coupled to a corresponding one of said anchor extensions.

20 36. The device of claim 35, wherein said support arms are pivotably coupled to said anchor extensions.

37. The device of claim 35, wherein said installation instrument includes a pivoting inserter pivotably coupled to said support arms.

25 38. The device of claim 30, wherein said anchors each include a passageway and said connecting element extends through said passageways when in said desired position.

30 39. The device of claim 38, wherein each of said anchors include a bone screw pivotably mounted in a connector, said passageway being formed through said connector.

40. A device for use in a surgical procedure on an animal subject, comprising:

an installation instrument coupled to a brace, said brace having an indexed portion coupling said brace in a predetermined orientation with respect to said installation instrument.

41. The device of claim 40, wherein said brace that is connectable to at least one anchor secured to the animal subject.

42. The device of claim 40, wherein said brace is immovable with respect to said installation instrument when coupled to said installation instrument.

43. The device of claim 40, wherein said installation instrument includes a brace inserter having a distal end, said brace indexed portion being coupled at said distal end of said brace inserter.

44. The device of claim 43, wherein said installation instrument includes a curved portion extending proximally from said distal end to a proximal end and having a channel formed along said curved portion for receiving a brace coupler, said brace coupler having a proximal end opposite said brace secured to said brace inserter, said brace coupler having a brace gripper at a distal end pivotably mounted in said channel by a pin secured to said curved portion of said brace inserter, said brace coupler operable to selectively couple and release said brace from said brace inserter.

45. The device of claim 44, wherein said brace coupler includes an elongated flexible member extending from said brace gripper proximally through a nut at said proximal end of said curved portion to a set screw.

46. The device of claim 45, wherein said curved portion has a brace receiving opening at said distal end receiving said brace therein.

47. The device of claim 46, wherein said curved portion includes a stop pin extending through said brace receiving opening.

48. The device of claim 47, wherein said brace includes a connecting end
5 having a recess formed therein, said recess having a proximal end wall and a distal end wall, said stop pin contacting said distal end wall limiting the insertion depth of said brace into said brace receiving opening.

49. The device of claim 48, wherein said brace gripper has a tooth
10 positionable in said recess and contacting said proximal end wall of said recess to couple said brace to said pivot arm.

50. The device of claim 40, wherein said indexed portion is at a first end of said brace, said brace including an opposite second end adapted for percutaneous
15 insertion.

51. The device of claim 40, wherein said installation instrument is movable along a predetermined path and said brace is indexed for orientation along said path.
20

52. The device of claim 51, wherein said path is an arc having a radius determined by a pivot axis of said installation instrument.

53. A brace installation instrument, comprising:
25 first and second anchor extensions, each having at least one proximal end and at least one distal end for mounting with an anchor securable to a bony structure;
a brace inserter having a proximal end and a distal end, said brace inserter mounted to said first and second anchor extensions at said proximal end of said anchor extensions, said brace inserter movable about a pivot axis; and
30 a brace releasably coupled to said distal end of said brace inserter.

54. The instrument of claim 53, wherein said brace inserter includes an arm having a brace mounting portion at said distal end receiving said brace.

55. The instrument of claim 53, wherein said brace inserter includes a pair
5 of support arms mounted on a corresponding one of said anchor extensions.

56. The instrument of claim 55, wherein said support arms are pivotably mounted to said anchor extensions.

57. The instrument of claim 55, wherein said brace inserter includes a
10 pivot arm pivotably mounted on said support arms.

58. A device for use in a surgical procedure on an animal subject,
comprising:

15 at least one anchor secured to the animal subject, said anchor including a set screw having a break-off portion; and

an instrument mounted on said anchor movable to position a brace relative to said anchor, said instrument being released from said anchor when said break-off portion is severed from said set screw.

20

59. The device of claim 58, wherein said instrument includes a tool bore providing access to said set screw break-off portion.

60. The device of claim 58, wherein said at least one anchor includes a
25 bone screw engaged to the animal subject pivotably mounted in a connector, said set screw being threadingly received in said connector.

61. The device of claim 60, wherein said anchor includes a passageway
through said connector between said bone screw and said set screw, said instrument
30 movable to position said brace in said passageway.

62. The device of claim 61, wherein said set screw is threaded into said connector passageway to secure said brace to said anchor before said break-off portion is severed.

5 63. The device of claim 61, wherein said instrument is rotated about a pivot axis to position said brace in said passageway.

64. The device of claim 58, further comprising:
a second anchor secured to the animal subject, said second anchor including a
10 second set screw having a break-off portion; and

said instrument also mounted on said second anchor and moveable to position
said brace relative to said anchor and said second anchor, said instrument being
released from said second anchor when said break-off portion is severed from said
second set screw.

15

65. The device of claim 64, wherein said anchor and said second anchor
each include a bone screw engaged to the animal subject pivotably mounted in a
connector, said set screw of said anchor being threadingly received in said connector.

20 66. The device of claim 65, wherein said anchor and said second anchor
each include a passageway through said connector between said bone screw and said
set screw, said instrument movable to position said brace in said passageways of said
connectors.

25 67. The device of claim 66, wherein said instrument is rotated about a
pivot axis to position said brace in said passageways of said anchor and said second
anchor.

30 68. The device of claim 67, wherein said set screws are threaded into said
passageways of said connectors to secure said brace to said anchors before said break-
off portions are severed.

69. A method of installation of an orthopedic brace in an animal subject, comprising:

placing first and second anchors mounted on first and second anchor extensions, respectively, in first and second bony parts of the body;

5 mounting a brace inserter of an installation instrument on the first and second anchor extensions, the installation instrument having a pivot axis relative to the anchors;

swinging the brace inserter relative to the anchors about the pivot axis and thereby moving the brace through an arc centered on the pivot axis of the instrument;

10 and

introducing an end of the brace to the location of the anchors.

70. The method of claim 69, wherein placing first and second anchors includes placing the first and second anchors percutaneously.

15

71. The method of claim 70, wherein introducing the end of the brace includes introducing the end of the brace percutaneously.

72. The method of claim 69, further comprising:

20 securing the brace to the anchors;

disconnecting the inserter from the brace; and

moving the inserter in a reverse direction through the arc and thereby removing the inserter from the body.

25 73. The method of claim 72, further comprising removing the installation instrument from the body.

74. The method of claim 69, wherein the brace is a shaft curved at a single radius about an axis co-linear with the pivot axis of the arc, and the method further comprises:

30

introducing the shaft through receivers in the anchors after introducing the brace.

75. The method of claim 69, wherein:

placing the anchors includes using image guided navigation to locate optimum placement and orientation of the anchors in pedicles of vertebral bodies of a single level of the spine of the animal and to locate animal skin locations for percutaneous
5 puncture entry of the anchors.

76. The method of claim 75, wherein:

the anchors are bone engaging fasteners; and
10 placing the anchors includes introducing the bone engaging fasteners and support arms as pre-assembled units percutaneously through punctures at two of the animal skin locations.

77. The method of claim 69 for spinal fusion and wherein the bony parts
15 are vertebral bodies of the animal spine, the method further comprising:

removing the intervertebral disc from the space between first and second vertebral bodies through a first percutaneous puncture in the subject;
introducing one or more interbody fusion devices into the space;
engaging first and second anchors to the first and second vertebral bodies,
20 respectively, through second and third percutaneous punctures in the subject; and installing the brace through a fourth percutaneous puncture in the subject and connecting the brace to the anchors by application of a fastening tool to the anchors through a bore in each of the first and second anchor extensions.

25 78. The method of claim 77, wherein introducing one or more interbody fusion devices includes introducing one or more interbody fusion devices via an anterior approach to the disc space.

79. The method of claim 78, wherein the brace installation step includes:
30 swinging the brace through an arc in a plane containing the brace and perpendicular to the axis of curvature of the brace; and passing portions of said brace into passageways in the anchors.

80. The method of claim 76, further comprising:
establishing a pivot axis at a fixed distance from the passageways equal to the
radius of curvature of the brace.

5

81. The method of claim 80, wherein establishing a pivot axis comprises:
mounting support arms on the anchor extensions to connect the brace inserter to
the anchor extensions.

10

82. The method of claim 81, further comprising:
coupling the brace to the brace inserter; and
disconnecting the brace inserter from the brace.

83. A method of installation of a connecting element in an animal subject,
15 comprising:

placing first and second anchors in first and second bony parts of the body;
mounting an installation instrument on the first and second anchors, the
installation instrument having the connecting element secured thereto; and
moving the installation instrument to position the connecting element more
20 proximate the first and second anchors.

84. The method of claim 83, wherein the connecting element is releasably
secured to the installation instrument.

25

85. The method of claim 83, further comprising:
securing the connecting element to the first and second anchors after moving the
installation instrument.

86. A method of installation of a brace in an animal subject, comprising:
30 placing first and second anchors mounted on first and second anchor extensions,
respectively, in first and second bony parts of the body;
mounting a brace inserter on the first and second anchor extensions; and

guiding the brace into a desired position relative to the anchors with the brace inserter.

5 87. The method of claim 86, wherein the brace is curved, the brace inserter has a pivot axis, and guiding the brace includes swinging the brace through an arc in a plane containing the brace and perpendicular to the axis of curvature of the brace.

10 88. The method of claim 87, wherein guiding the brace includes passing portions of the brace into passageways in the anchors.

89. The method of claim 88, wherein the pivot axis of the brace inserter is at a fixed distance from the passageways equal to the radius of curvature of the brace.

15 90. The method of claim 86, further comprising:
using image guided navigation to orient the anchors with respect to the bony parts; and
placing first and second anchors and anchor extensions includes placing the anchors and anchor extensions percutaneously.

20 91. The method of claim 86, wherein the bony parts are first and second vertebrae of a vertebral level.

25 92. The method of claim 91, further comprising:
using image guided navigation to orient and place a guidewire in each of the vertebrae;
guiding the anchors and anchor extensions over a corresponding one of the guidewires; and
removing the guidewires after placing the anchors in the first and second vertebrae.

30 93. A method for stabilizing at least one vertebral level of an animal subject, comprising:

inserting at least one interbody fusion device in the disc space between the vertebrae;

engaging first and second anchors to corresponding ones of the vertebrae through first and second percutaneous punctures in the subject;

- 5 mounting an installation instrument on the first and second anchors; and
positioning a brace proximate the first and second anchors through a third percutaneous puncture in the subject using the installation instrument.

94. The method of claim 93, wherein engaging first and second anchors
10 includes engaging the anchors through first and second percutaneous punctures.

95. The method of claim 94, wherein positioning the brace includes
positioning the brace through a third percutaneous puncture.

96. The method of claim 95, wherein the at least one interbody fusion
15 device is inserted through a fourth percutaneous puncture in the subject.

97. The method of claim 96, further comprising removing intervertebral disc
material from the disc space between first and second vertebral bodies through the
20 fourth percutaneous puncture in the subject.

98. The method of claim 93, further comprising:
securing the brace to the anchors by application of fastening tool to the anchors
through tool bores of the installation instrument.

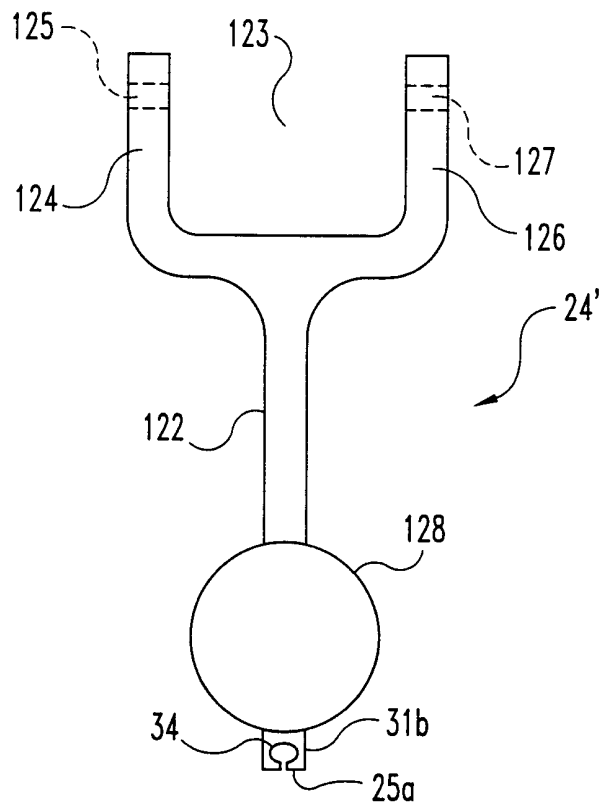


Fig. 2a

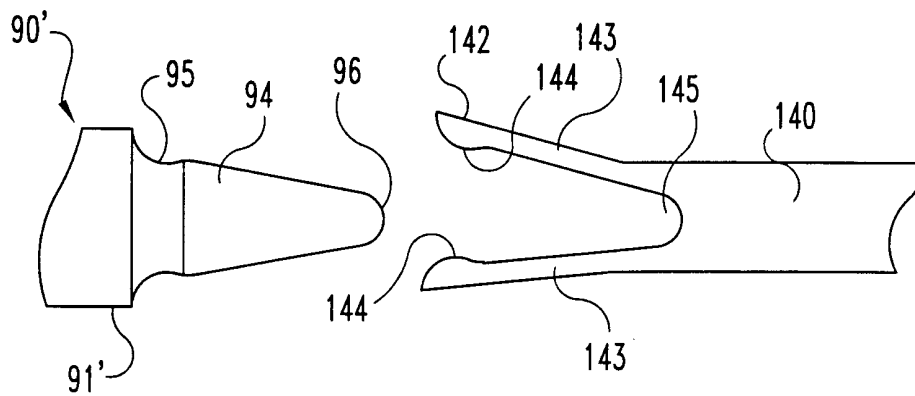


Fig. 3a

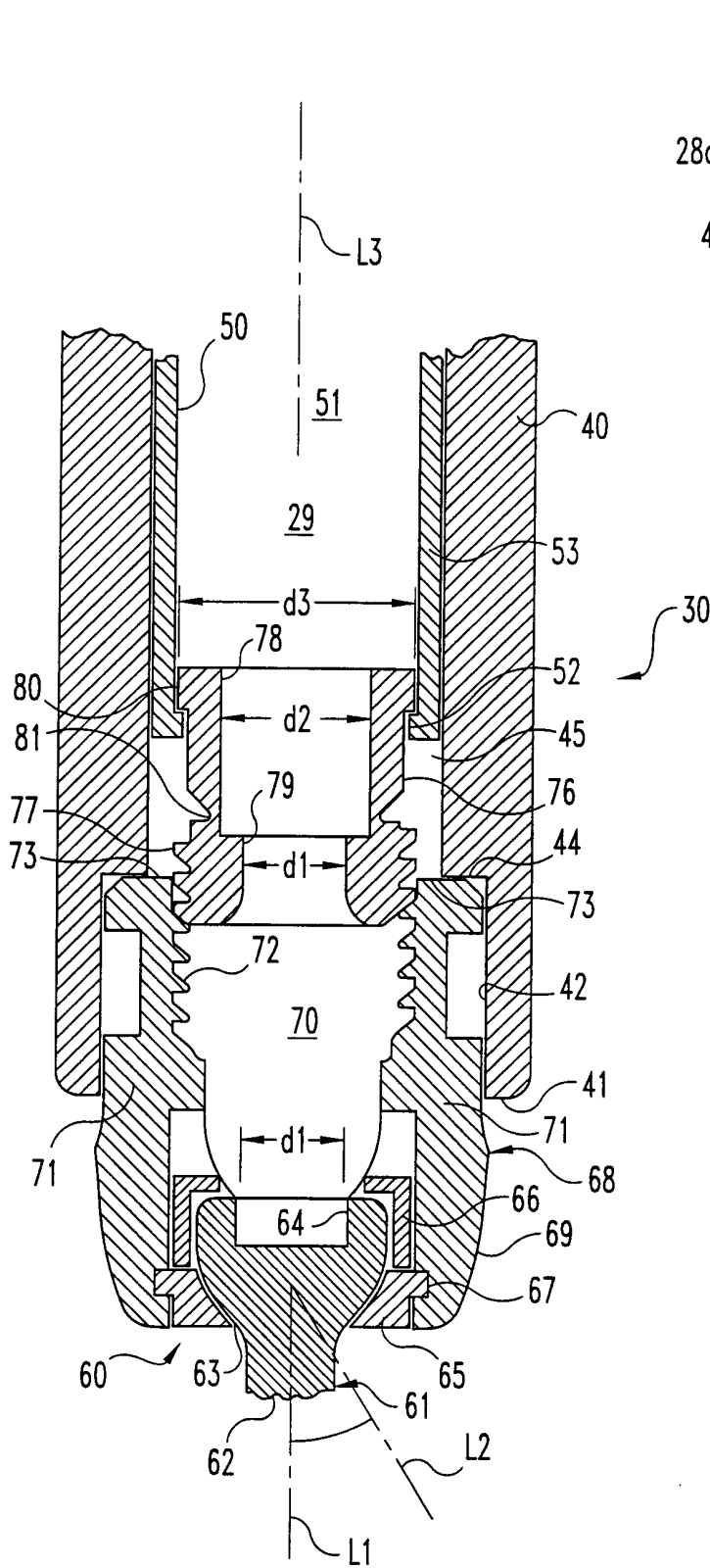


Fig. 4

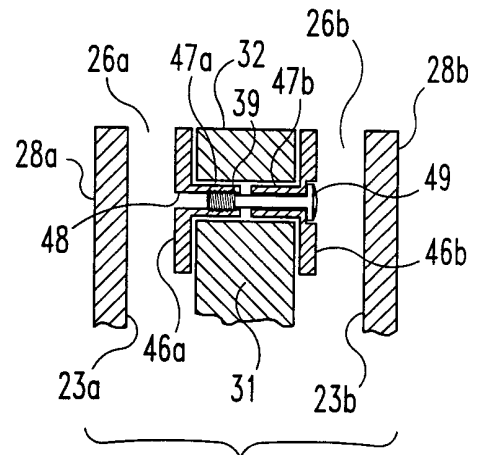


Fig. 2

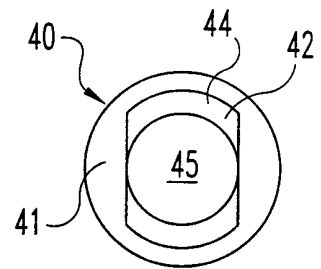


Fig. 5

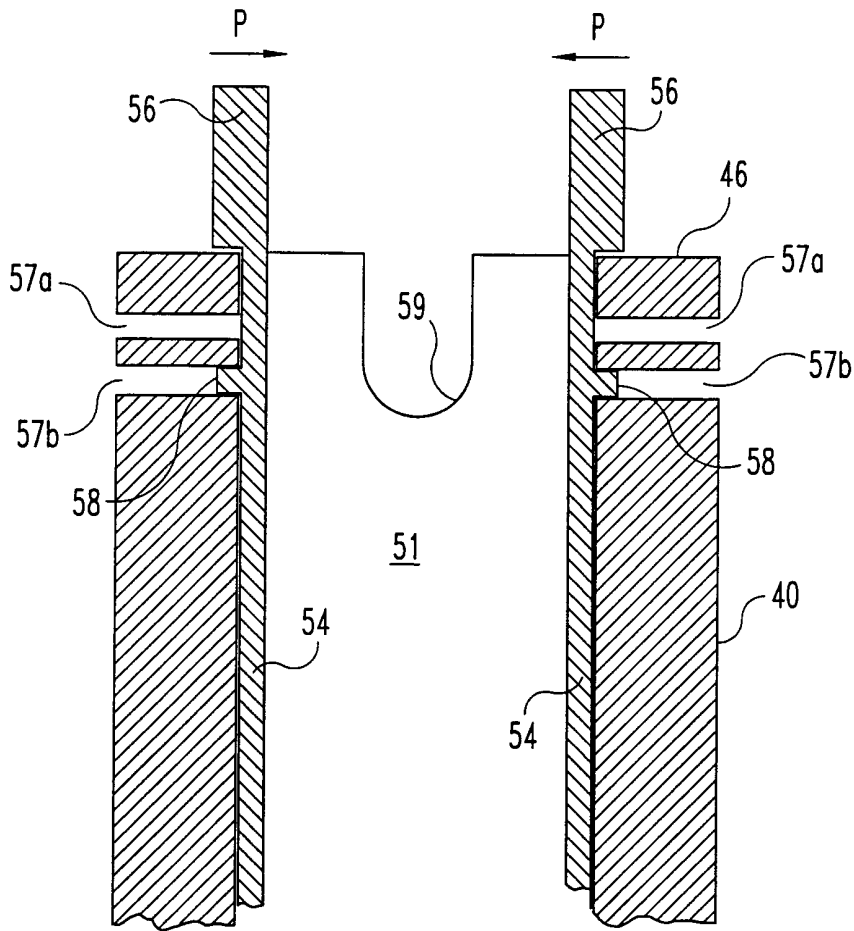


Fig. 6

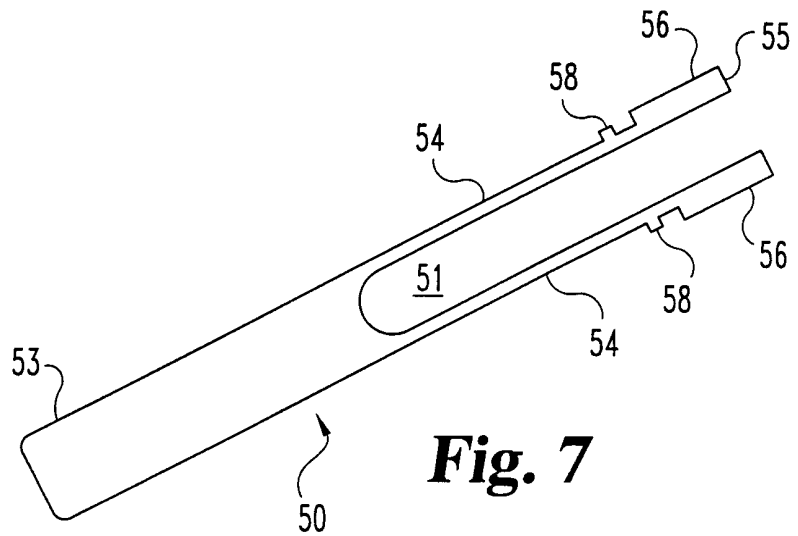


Fig. 7

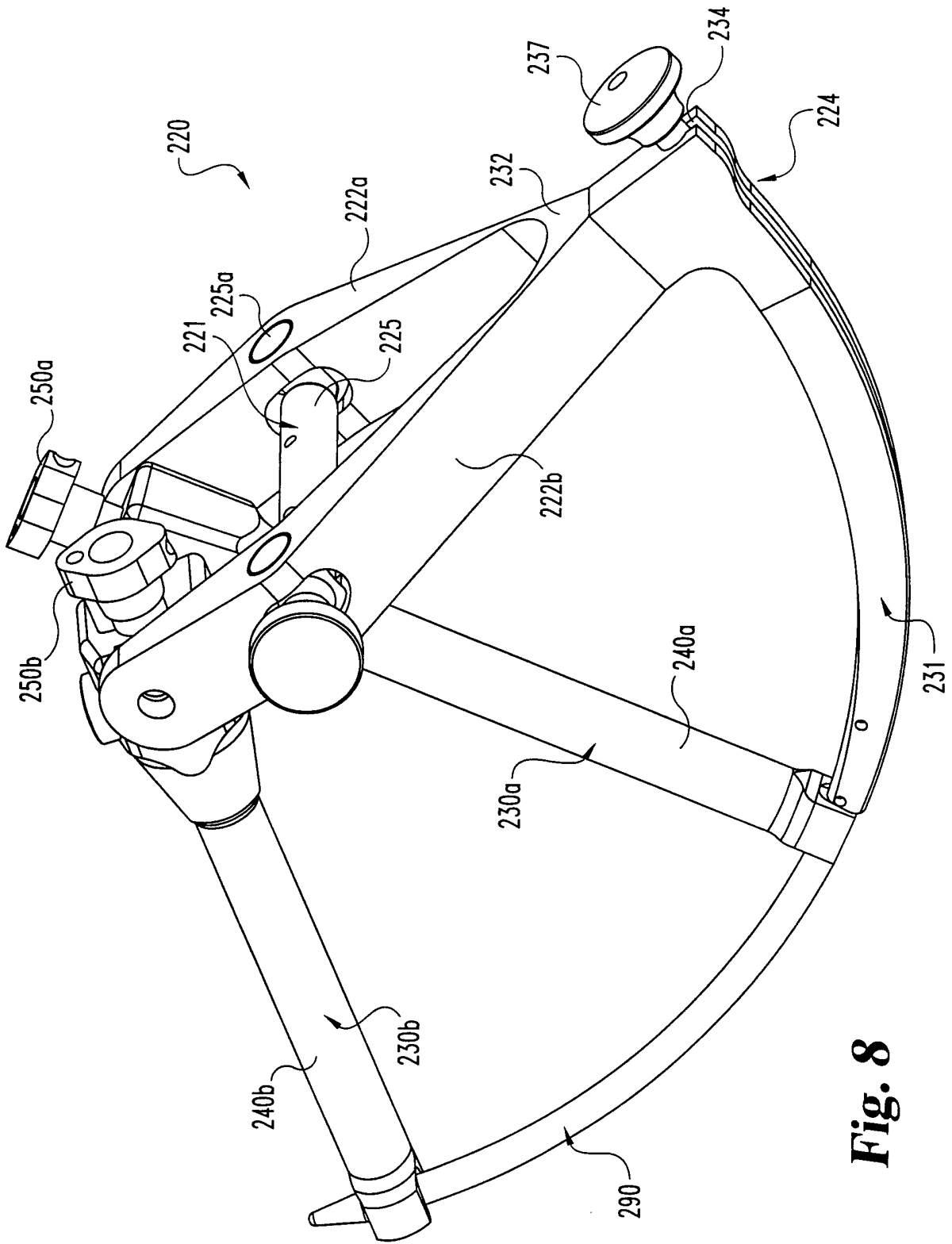


Fig. 8

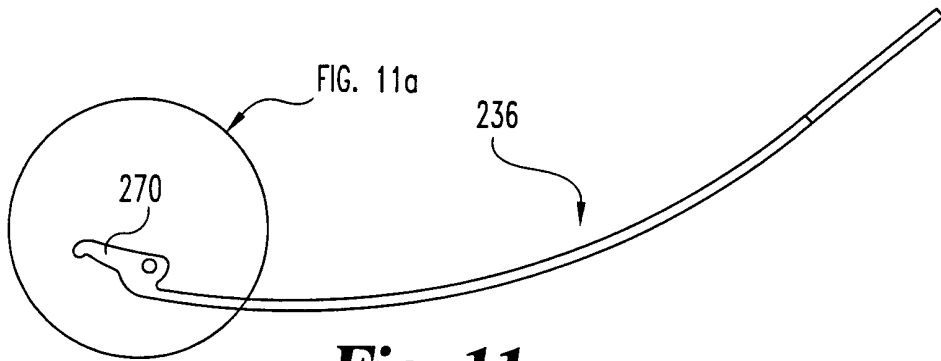


Fig. 11

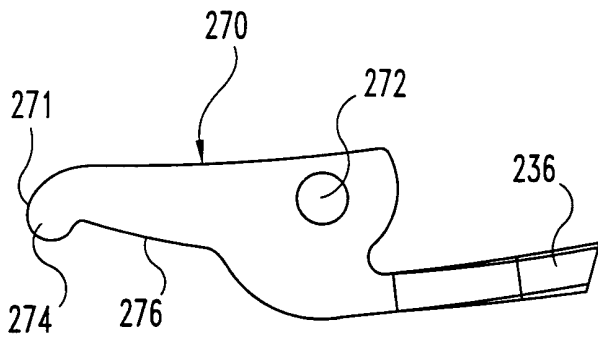


Fig. 11a

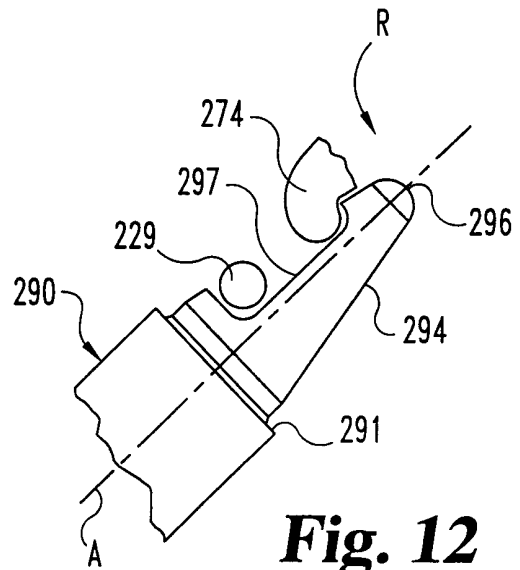


Fig. 12

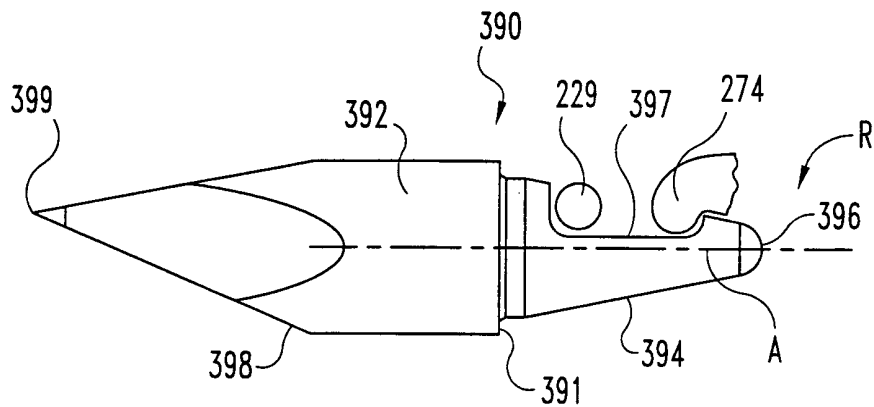


Fig. 13

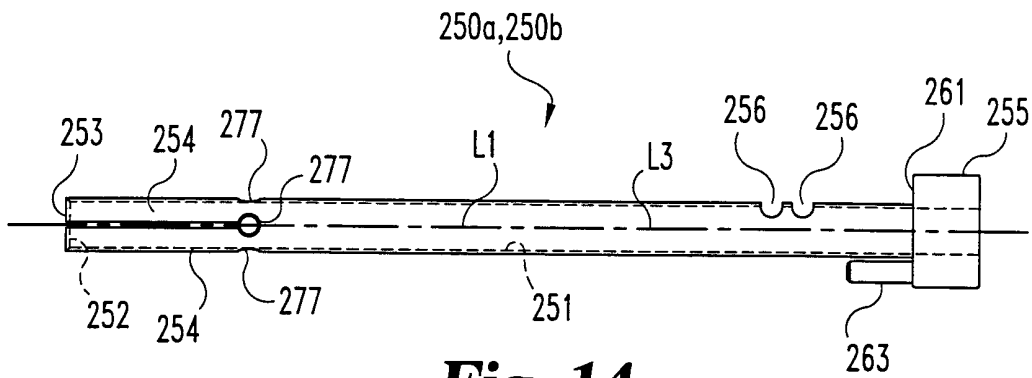


Fig. 14

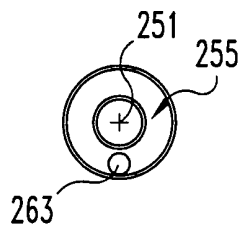


Fig. 15

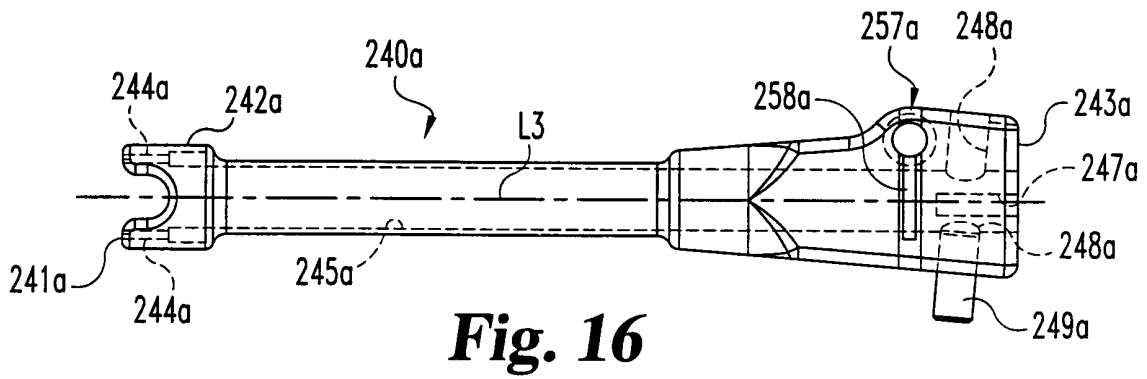


Fig. 16

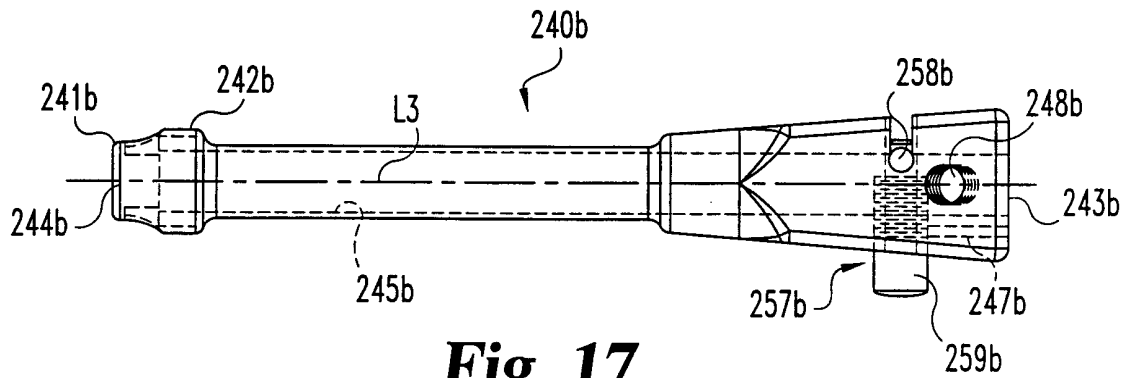


Fig. 17

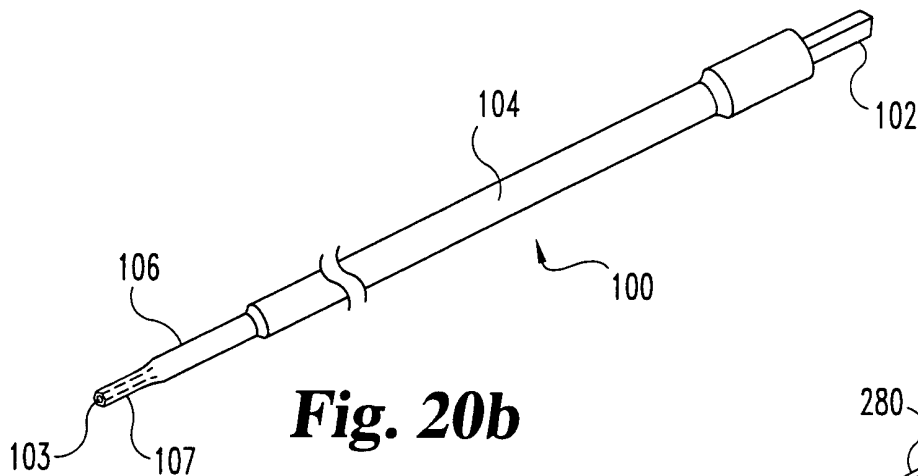


Fig. 20b

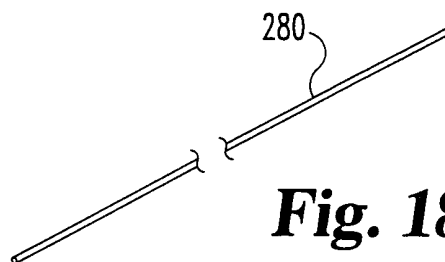


Fig. 18

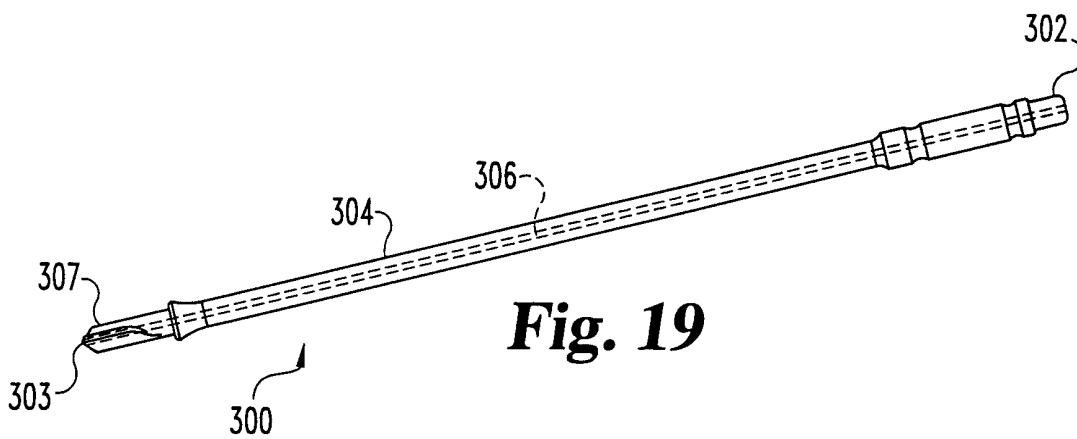


Fig. 19

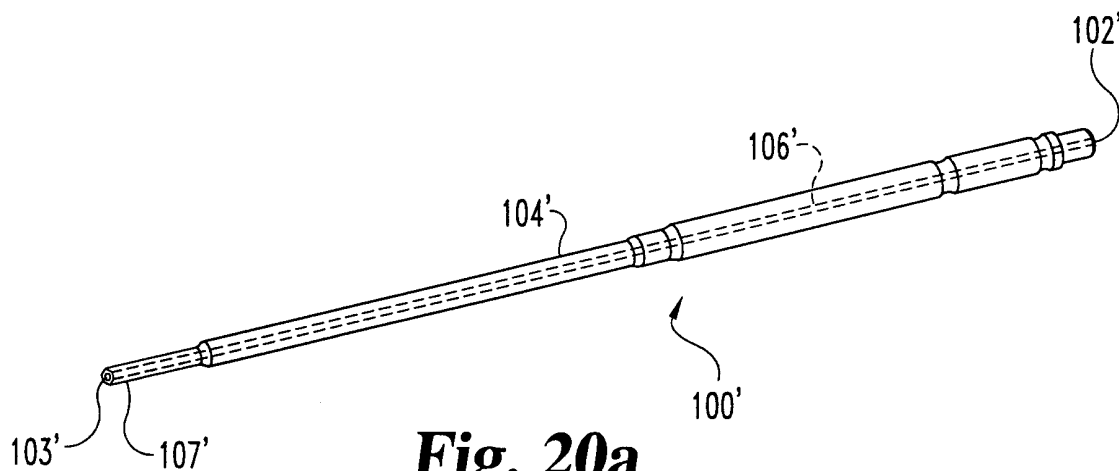


Fig. 20a

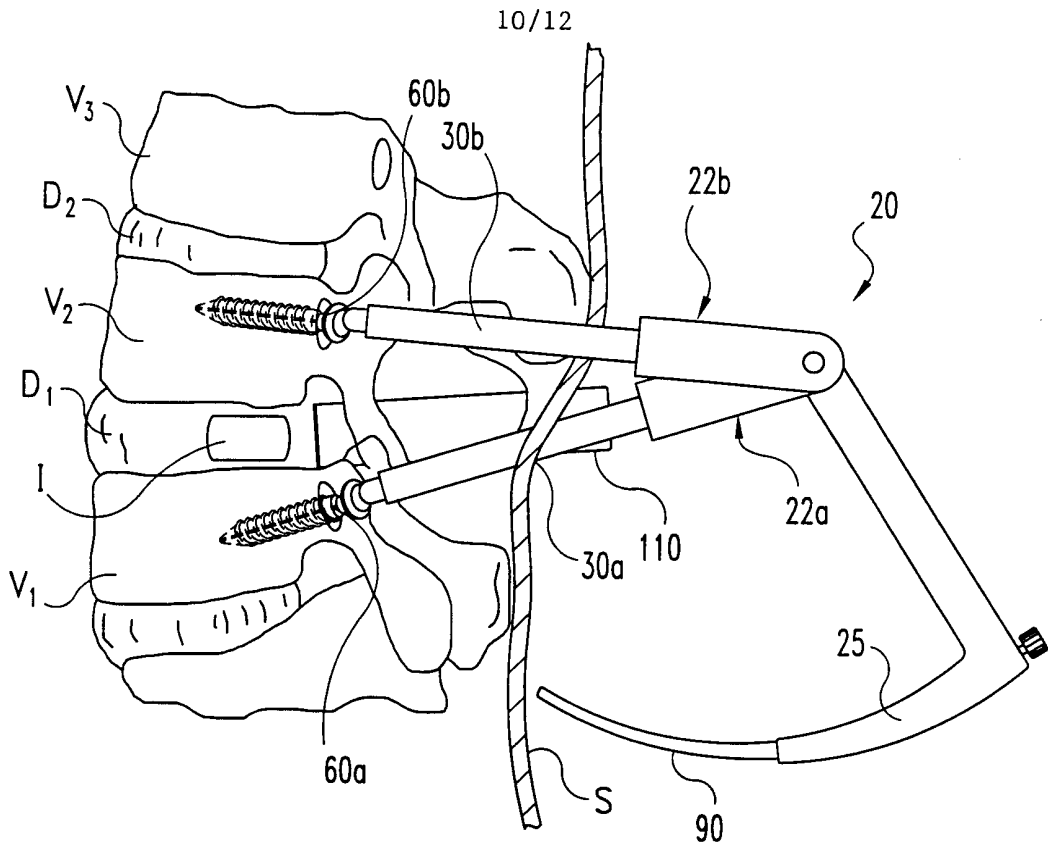


Fig. 21

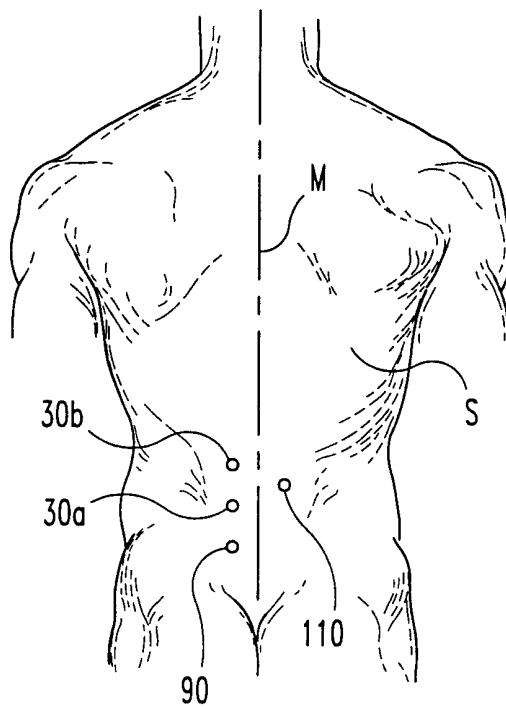


Fig. 22

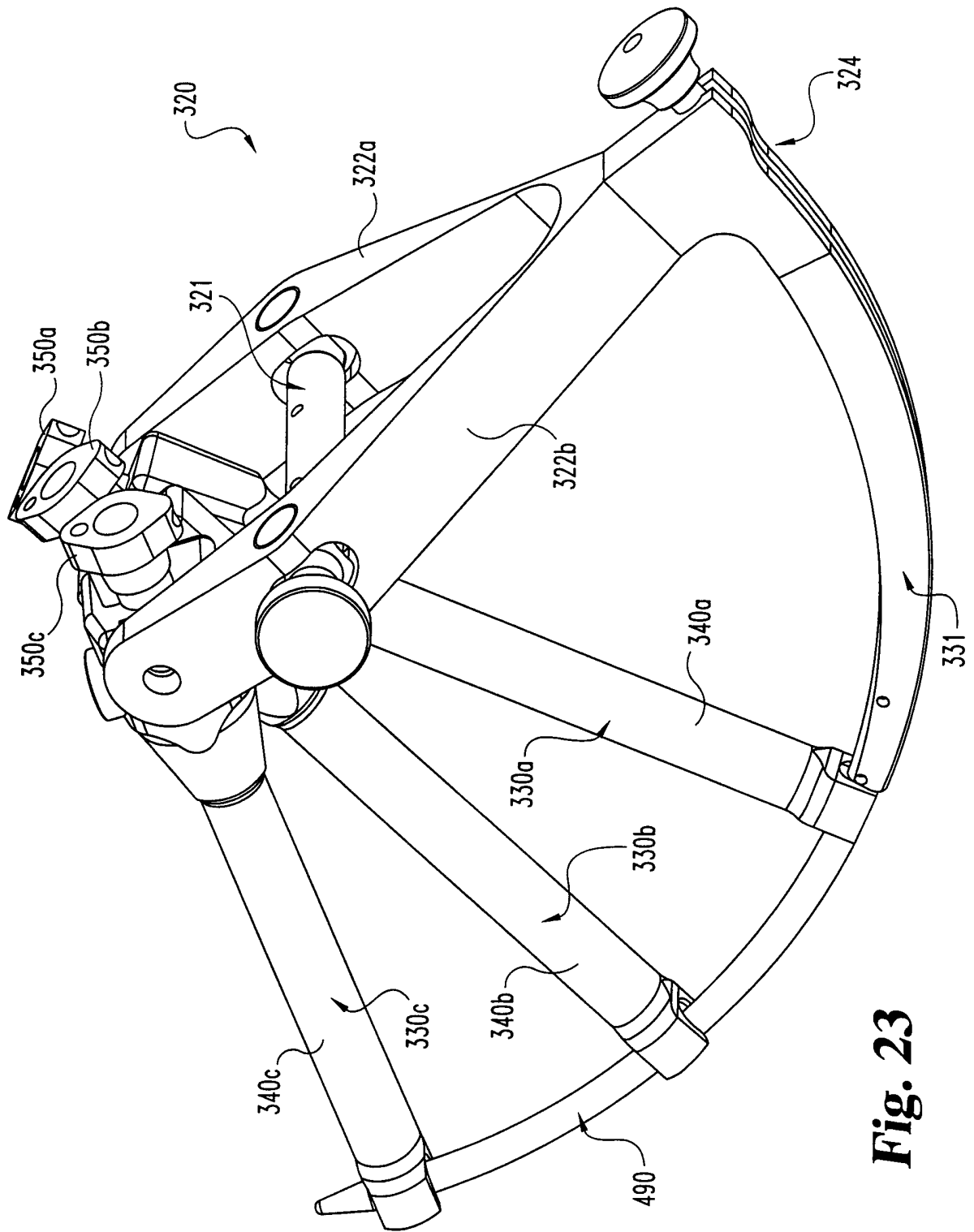


Fig. 23

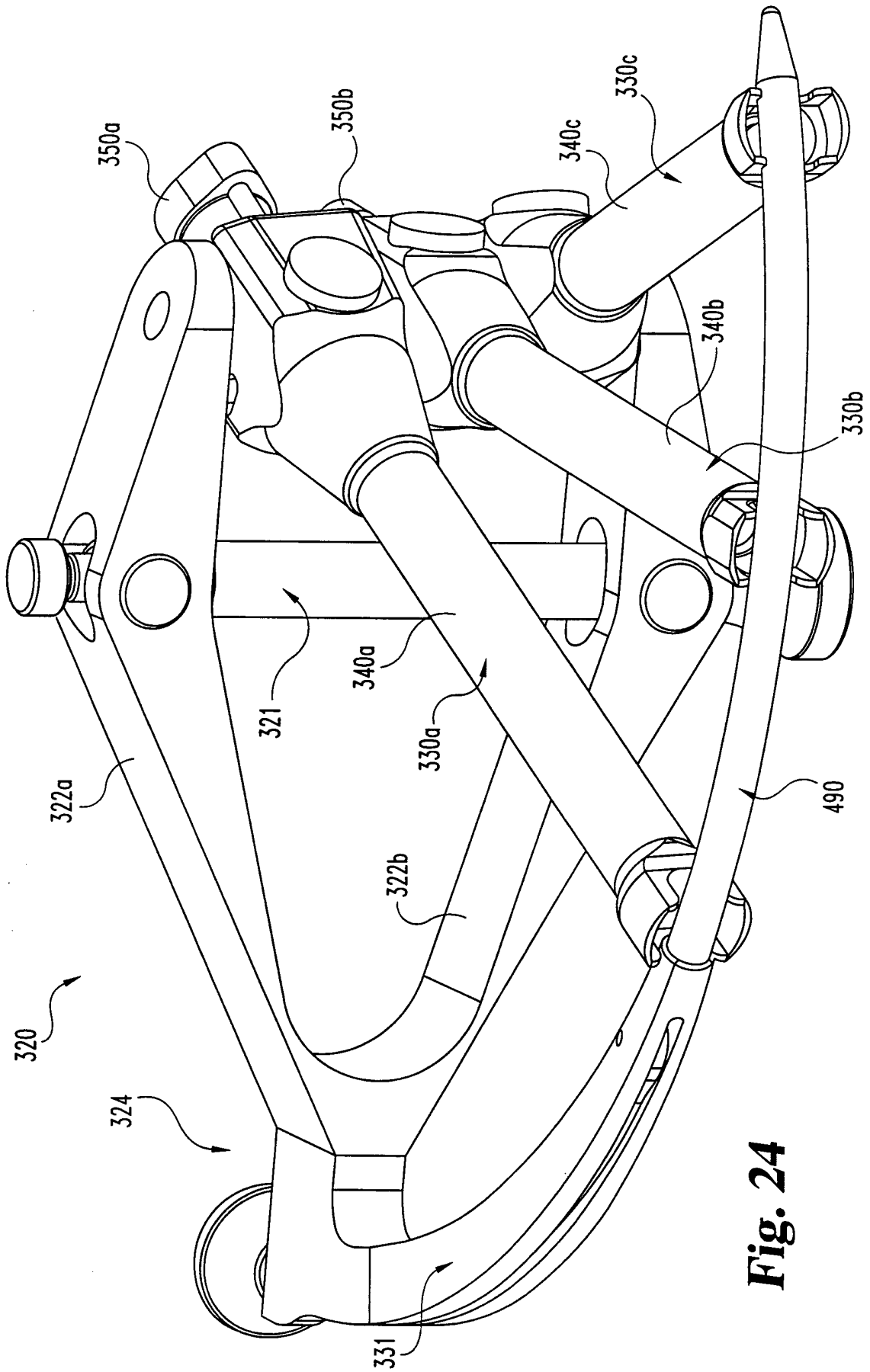


Fig. 24

INTERNATIONAL SEARCH REPORT

International Application No

PCT/US 00/28118

A. CLASSIFICATION OF SUBJECT MATTER
 IPC 7 A61B17/17 A61B17/70 A61B17/88

According to International Patent Classification (IPC) or to both national classification and IPC

B. FIELDS SEARCHED

Minimum documentation searched (classification system followed by classification symbols)

IPC 7 A61B

Documentation searched other than minimum documentation to the extent that such documents are included in the fields searched

Electronic data base consulted during the international search (name of data base and, where practical, search terms used)

EPO-Internal

C. DOCUMENTS CONSIDERED TO BE RELEVANT

Category °	Citation of document, with indication, where appropriate, of the relevant passages	Relevant to claim No.
A	WO 97 38639 A (AARO STIG ;NILSSON JAN ERIK (SE)) 23 October 1997 (1997-10-23) the whole document	1, 14, 30, 40, 53, 58
A	DE 197 26 754 A (AESCULAP AG & CO KG) 4 February 1999 (1999-02-04) the whole document	1, 14, 30, 40, 53, 58
A	US 5 720 751 A (JACKSON ROGER P) 24 February 1998 (1998-02-24) the whole document	1, 14, 30, 40, 53, 58

Further documents are listed in the continuation of box C.

Patent family members are listed in annex.

° Special categories of cited documents :

- *A* document defining the general state of the art which is not considered to be of particular relevance
- *E* earlier document but published on or after the international filing date
- *L* document which may throw doubts on priority claim(s) or which is cited to establish the publication date of another citation or other special reason (as specified)
- *O* document referring to an oral disclosure, use, exhibition or other means
- *P* document published prior to the international filing date but later than the priority date claimed

- *T* later document published after the international filing date or priority date and not in conflict with the application but cited to understand the principle or theory underlying the invention
- *X* document of particular relevance; the claimed invention cannot be considered novel or cannot be considered to involve an inventive step when the document is taken alone
- *Y* document of particular relevance; the claimed invention cannot be considered to involve an inventive step when the document is combined with one or more other such documents, such combination being obvious to a person skilled in the art.
- *&* document member of the same patent family

Date of the actual completion of the international search

1 February 2001

Date of mailing of the international search report

09/02/2001

Name and mailing address of the ISA

European Patent Office, P.B. 5818 Patentlaan 2
 NL - 2280 HV Rijswijk
 Tel. (+31-70) 340-2040, Tx. 31 651 epo nl,
 Fax: (+31-70) 340-3016

Authorized officer

Vereilst, P

INTERNATIONAL SEARCH REPORT

Information on patent family members

International Application No

PCT/US 00/28118

Patent document cited in search report	Publication date	Patent family member(s)	Publication date
WO 9738639 A	23-10-1997	SE 510257 C AU 2655397 A EP 0959791 A SE 9601473 A US 6132431 A	03-05-1999 07-11-1997 01-12-1999 19-10-1997 17-10-2000
DE 19726754 A	04-02-1999	DE 29710979 U	21-08-1997
US 5720751 A	24-02-1998	NONE	