

(19) World Intellectual Property
Organization
International Bureau



(43) International Publication Date
15 January 2004 (15.01.2004)

PCT

(10) International Publication Number
WO 2004/005884 A3

(51) International Patent Classification⁷: G01N 33/50,
G06G 7/48

William; 180 Mallorca Way, #201, San Francisco, CA
94123 (US).

(21) International Application Number:
PCT/US2003/020811

(74) Agent: PATTERSON, B., Todd; Moser, Patterson &
Sheridan, LLP., 3040 Post Oak Blvd., Suite 1500, Houston,
TX 77056 (US).

(22) International Filing Date: 3 July 2003 (03.07.2003)

(25) Filing Language: English

(26) Publication Language: English

(30) Priority Data:
60/395,155 10 July 2002 (10.07.2002) US
10/452,481 30 May 2003 (30.05.2003) US

(81) Designated States (*national*): AE, AG, AL, AM, AT, AU,
AZ, BA, BB, BG, BR, BY, BZ, CA, CH, CN, CO, CR, CU,
CZ, DE, DK, DM, DZ, EC, EE, ES, FI, GB, GD, GE, GH,
GM, HR, HU, ID, IL, IN, IS, JP, KE, KG, KP, KR, KZ, LC,
LK, LR, LS, LT, LU, LV, MA, MD, MG, MK, MN, MW,
MX, MZ, NI, NO, NZ, OM, PG, PH, PL, PT, RO, RU, SC,
SD, SE, SG, SK, SL, SY, TJ, TM, TN, TR, TT, TZ, UA,
UG, UZ, VC, VN, YU, ZA, ZM, ZW.

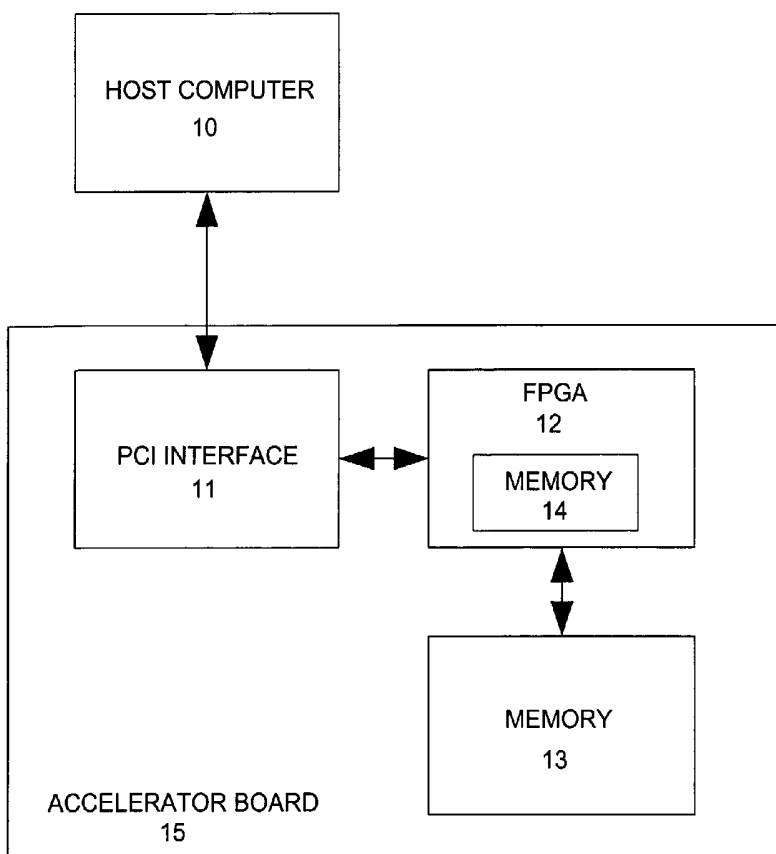
(71) Applicant: PHARMIX CORPORATION [US/US]; 200
Twin Dolphin Drive, Suite F, Redwood Shores, CA 94065
(US).

(84) Designated States (*regional*): ARIPO patent (GH, GM,
KE, LS, MW, MZ, SD, SL, SZ, TZ, UG, ZM, ZW),
Eurasian patent (AM, AZ, BY, KG, KZ, MD, RU, TJ, TM),
European patent (AT, BE, BG, CH, CY, CZ, DE, DK, EE,
ES, FI, FR, GB, GR, HU, IE, IT, LU, MC, NL, PT, RO,

(72) Inventors: BENNETT, Forrest, H, III.; 2347 Williams
Street, Palo Alto, CA 94301 (US). MYDLOWEC,

[Continued on next page]

(54) Title: METHOD AND APPARATUS FOR MOLECULAR MECHANICS ANALYSIS OF MOLECULAR SYSTEMS



(57) Abstract: A method and apparatus for analyzing molecular systems with special-purpose hardware. An entire molecular mechanics calculation is implemented on a programmable logic device (PLD) integrated circuit (IC). This single IC accelerator (15) is achieved by run-time reprogramming of the PLD to handle different terms in the molecular mechanics calculation.

WO 2004/005884 A3



SE, SI, SK, TR), OAPI patent (BF, BJ, CF, CG, CI, CM, GA, GN, GQ, GW, ML, MR, NE, SN, TD, TG).

For two-letter codes and other abbreviations, refer to the "Guidance Notes on Codes and Abbreviations" appearing at the beginning of each regular issue of the PCT Gazette.

Published:

- *with international search report*
- *before the expiration of the time limit for amending the claims and to be republished in the event of receipt of amendments*

(88) Date of publication of the international search report:

4 November 2004

INTERNATIONAL SEARCH REPORT

International application No.

PCT/US03/20811

A. CLASSIFICATION OF SUBJECT MATTER

IPC(7) : G01N 33/50; G06G 7/48
 US CL : 703/6; 702/27

According to International Patent Classification (IPC) or to both national classification and IPC

B. FIELDS SEARCHED

Minimum documentation searched (classification system followed by classification symbols)

U.S. : 703/6; 702/27; 703/2

Documentation searched other than minimum documentation to the extent that such documents are included in the fields searched
 IEEE

Electronic data base consulted during the international search (name of data base and, where practicable, search terms used)
 EAST

C. DOCUMENTS CONSIDERED TO BE RELEVANT

Category *	Citation of document, with indication, where appropriate, of the relevant passages	Relevant to claim No.
Y	US 5,424,963 A (Turner et al.) 13 June 1995 (13.06.1995), see fig. 1-5, 9.	1-15
Y	US 6,205,533 B1 (Margolus) 20 March 2001 (20.03.2001), col. 23, lines 40-55.	1-15

Further documents are listed in the continuation of Box C.

See patent family annex.

* Special categories of cited documents:	
"A" document defining the general state of the art which is not considered to be of particular relevance	"T" later document published after the international filing date or priority date and not in conflict with the application but cited to understand the principle or theory underlying the invention
"E" earlier application or patent published on or after the international filing date	"X" document of particular relevance; the claimed invention cannot be considered novel or cannot be considered to involve an inventive step when the document is taken alone
"L" document which may throw doubts on priority claim(s) or which is cited to establish the publication date of another citation or other special reason (as specified)	"Y" document of particular relevance; the claimed invention cannot be considered to involve an inventive step when the document is combined with one or more other such documents, such combination being obvious to a person skilled in the art
"O" document referring to an oral disclosure, use, exhibition or other means	"&" document member of the same patent family
"P" document published prior to the international filing date but later than the priority date claimed	

Date of the actual completion of the international search

08 September 2004 (08.09.2004)

Date of mailing of the international search report

20 SEP 2004

Name and mailing address of the ISA/US

Mail Stop PCT, Attn: ISA/US
 Commissioner for Patents
 P.O. Box 1450
 Alexandria, Virginia 22313-1450
 Facsimile No. (703) 305-3230

Authorized officer

Kevin Teska

Telephone No. (703) 305-9000