

(19) World Intellectual Property Organization  
International Bureau



(43) International Publication Date  
7 December 2006 (07.12.2006)

PCT

(10) International Publication Number  
WO 2006/129281 A3

(51) International Patent Classification:

H05K 7/20 (2006.01) H05K 9/00 (2006.01)  
H05K 5/02 (2006.01)

(21) International Application Number:

PCT/IB2006/051734

(22) International Filing Date: 31 May 2006 (31.05.2006)

(25) Filing Language: English

(26) Publication Language: English

(30) Priority Data:

05104804.9 2 June 2005 (02.06.2005) EP

(71) Applicant (for all designated States except US): **KONINKLIJKE PHILIPS ELECTRONICS N.V.** [NL/NL]; Groenewoudseweg 1, NL-5621 BA Eindhoven (NL).

(72) Inventors; and

(75) Inventors/Applicants (for US only): **SEYNAEVE, Dirck** [BE/BE]; C/o Prof. Holstlaan 6, NL-5656 AA Eindhoven (NL). **BANCKAERT, Gratien, A., M.** [BE/BE]; C/o Prof. Holstlaan 6, NL-5656 AA Eindhoven (NL). **DELACROIX, Danny, A., J.** [BE/BE]; C/o Prof. Holstlaan 6, NL-5656 AA Eindhoven (NL).

(74) Agents: **GROENENDAAL, Antonius, W., M.** et al.; Prof. Holstlaan 6, NL-5656 AA Eindhoven (NL).

(81) Designated States (unless otherwise indicated, for every kind of national protection available): AE, AG, AL, AM, AT, AU, AZ, BA, BB, BG, BR, BW, BY, BZ, CA, CH, CN, CO, CR, CU, CZ, DE, DK, DM, DZ, EC, EE, EG, ES, FI, GB, GD, GE, GH, GM, HR, HU, ID, IL, IN, IS, JP, KE, KG, KM, KN, KP, KR, KZ, LC, LK, LR, LS, LT, LU, LV, LY, MA, MD, MG, MK, MN, MW, MX, MZ, NA, NG, NI, NO, NZ, OM, PG, PH, PL, PT, RO, RU, SC, SD, SE, SG, SK, SL, SM, SY, TJ, TM, TN, TR, TT, TZ, UA, UG, US, UZ, VC, VN, YU, ZA, ZM, ZW.

(84) Designated States (unless otherwise indicated, for every kind of regional protection available): ARIPO (BW, GH, GM, KE, LS, MW, MZ, NA, SD, SL, SZ, TZ, UG, ZM, ZW), Eurasian (AM, AZ, BY, KG, KZ, MD, RU, TJ, TM), European (AT, BE, BG, CH, CY, CZ, DE, DK, EE, ES, FI, FR, GB, GR, HU, IE, IS, IT, LT, LU, LV, MC, NL, PL, PT, RO, SE, SI, SK, TR), OAPI (BF, BJ, CF, CG, CI, CM, GA, GN, GQ, GW, ML, MR, NE, SN, TD, TG).

Declaration under Rule 4.17:

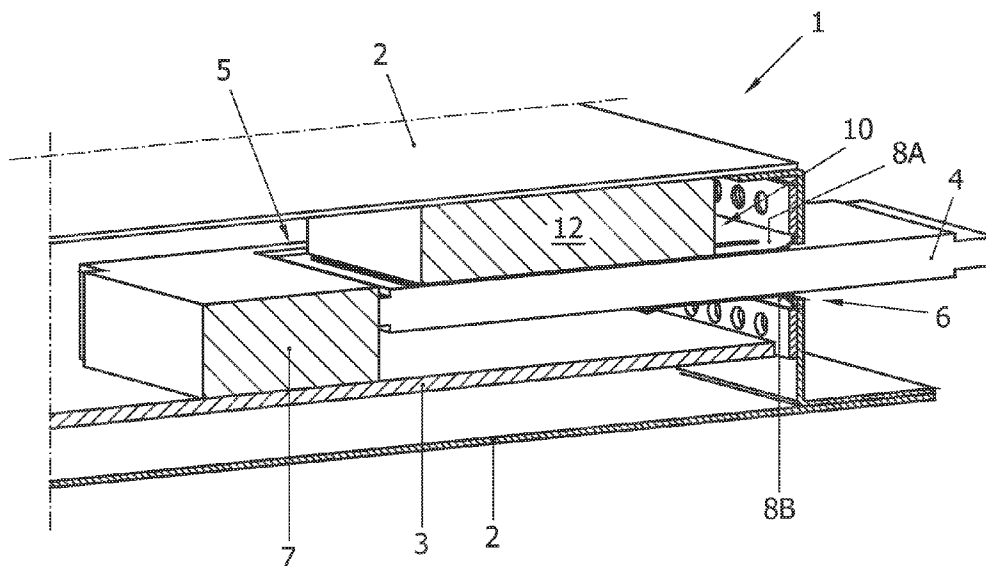
— as to applicant's entitlement to apply for and be granted a patent (Rule 4.17(ii))

Published:

— with international search report

[Continued on next page]

(54) Title: ELECTRONIC APPLIANCE PROVIDED WITH A COOLING ASSEMBLY FOR COOLING A CONSUMER INSERTABLE MODULE, AND COOLING ASSEMBLY FOR COOLING SUCH MODULE



(57) Abstract: The invention relates to an electronic appliance (1), provided with a cooling assembly (10) for cooling a module (4) that during use can be inserted in the appliance (1) by a consumer. The cooling assembly (10) comprises a cooling body (12) and sliding means (8A, 8B). The sliding means are arranged to engage the module with a low frictional contact surface, so as to facilitate insertion of the module. The sliding means are furthermore arranged to form a thermally conductive bridge between the module and the cooling body. At least one of the cooling body and the sliding means is resiliently deflectable, thereby allowing the sliding means to be pushed out of the way by the module, when this module is being inserted or removed.



WO 2006/129281 A3



---

**(88) Date of publication of the international search report:**

2 August 2007

*For two-letter codes and other abbreviations, refer to the "Guidance Notes on Codes and Abbreviations" appearing at the beginning of each regular issue of the PCT Gazette.*

# INTERNATIONAL SEARCH REPORT

International application No  
PCT/IB2006/051734

**A. CLASSIFICATION OF SUBJECT MATTER**  
INV. H05K7/20 H05K5/02 H05K9/00

According to International Patent Classification (IPC) or to both national classification and IPC

**B. FIELDS SEARCHED**

Minimum documentation searched (classification system followed by classification symbols)  
H05K

Documentation searched other than minimum documentation to the extent that such documents are included in the fields searched

Electronic data base consulted during the international search (name of data base and, where practical, search terms used)

EPO-Internal

**C. DOCUMENTS CONSIDERED TO BE RELEVANT**

Category*	Citation of document, with indication, where appropriate, of the relevant passages	Relevant to claim No.
A	EP 0 580 412 A (BRITISH AEROSPACE [GB]) 26 January 1994 (1994-01-26) column 2, line 55 - column 4, line 56 figures 1-4	1-3, 13, 14
A	-----	
A	US 2004/080907 A1 (BELADY CHRISTIAN L [US] ET AL) 29 April 2004 (2004-04-29) paragraph [0001] paragraph [0015] - paragraph [0017] figures 1-3	1
A	-----	
A	US 6 191 943 B1 (TRACY MARK S [US]) 20 February 2001 (2001-02-20) column 1, lines 9-14 column 3, line 23 - column 6, line 46 figures 1-3b	1
	-----	
	-/--	

Further documents are listed in the continuation of Box C.

See patent family annex.

\* Special categories of cited documents :

\*A\* document defining the general state of the art which is not considered to be of particular relevance

\*E\* earlier document but published on or after the international filing date

\*L\* document which may throw doubts on priority claim(s) or which is cited to establish the publication date of another citation or other special reason (as specified)

\*O\* document referring to an oral disclosure, use, exhibition or other means

\*P\* document published prior to the international filing date but later than the priority date claimed

\*T\* later document published after the international filing date or priority date and not in conflict with the application but cited to understand the principle or theory underlying the invention

\*X\* document of particular relevance; the claimed invention cannot be considered novel or cannot be considered to involve an inventive step when the document is taken alone

\*Y\* document of particular relevance; the claimed invention cannot be considered to involve an inventive step when the document is combined with one or more other such documents, such combination being obvious to a person skilled in the art.

\*&\* document member of the same patent family

Date of the actual completion of the international search

25 April 2007

Date of mailing of the international search report

07/05/2007

Name and mailing address of the ISA/

European Patent Office, P.B. 5818 Patentlaan 2  
NL - 2280 HV Rijswijk  
Tel. (+31-70) 340-2040, Tx. 31 651 epo nl,  
Fax: (+31-70) 340-3016

Authorized officer

Miot, Francesco

INTERNATIONAL SEARCH REPORT

International application No

PCT/IB2006/051734

C(Continuation). DOCUMENTS CONSIDERED TO BE RELEVANT

Category*	Citation of document, with indication, where appropriate, of the relevant passages	Relevant to claim No.
A	US 2002/114140 A1 (BASH CULLEN E [US] ET AL) 22 August 2002 (2002-08-22) paragraph [0028] - paragraph [0058] figures 1a-7 -----	4,5,15

# INTERNATIONAL SEARCH REPORT

Information on patent family members

International application No

PCT/IB2006/051734

Patent document cited in search report	Publication date	Patent family member(s)	Publication date
EP 0580412	A	26-01-1994 JP 6177570 A	24-06-1994
US 2004080907	A1	29-04-2004 NONE	
US 6191943	B1	20-02-2001 US 2001007525 A1	12-07-2001
US 2002114140	A1	22-08-2002 NONE	