



US00D787679S

(12) **United States Design Patent**
Sul

(10) **Patent No.:** **US D787,679 S**

(45) **Date of Patent:** **** May 23, 2017**

(54) **RADIO FREQUENCY COIL FOR MAGNETIC
RESONANCE IMAGE DEVICE**

(71) Applicant: **Samsung Electronics Co., Ltd.,
Suwon-si (KR)**

(72) Inventor: **Sungwoo Sul, Yongin-si (KR)**

(73) Assignee: **Samsung Electronics Co., Ltd.,
Suwon-si (KR)**

(**) Term: **15 Years**

(21) Appl. No.: **29/557,876**

(22) Filed: **Mar. 14, 2016**

(30) **Foreign Application Priority Data**

Nov. 6, 2015 (KR) 30-2015-0056145

(51) **LOC (10) Cl.** **24-01**

(52) **U.S. Cl.**
USPC **D24/158**

(58) **Field of Classification Search**
USPC D24/158-161, 185, 186, 107
CPC .. A61B 5/05; A61B 5/055; A61B 6/03; A61B
6/035; G01R 33/4806; G01R 33/4812
See application file for complete search history.

(56) **References Cited**

U.S. PATENT DOCUMENTS

5,327,898	A *	7/1994	Yoshino	G01R 33/3678 324/318
D380,832	S *	7/1997	Isshiki	D24/158
D566,280	S *	4/2008	Baba	D24/158
D650,906	S *	12/2011	Phillips	D24/158
D701,314	S *	3/2014	Davis	D24/158
8,952,695	B2 *	2/2015	Davis	G01R 33/34007 324/318

2009/0306495	A1 *	12/2009	Scarth	G01R 33/307 600/415
2011/0026801	A1 *	2/2011	Dohata	G01R 33/34007 382/131
2015/0057525	A1 *	2/2015	Tomiha	A61B 5/0051 600/410
2015/0219737	A1 *	8/2015	Fenchel	A61B 5/055 600/411
2016/0033589	A1 *	2/2016	Ota	G01R 33/3415 600/417

FOREIGN PATENT DOCUMENTS

CN	201330179681	5/2013
CN	201530121226	9/2015

* cited by examiner

Primary Examiner — Anhdao Doan

(74) *Attorney, Agent, or Firm* — NSIP Law

(57) **CLAIM**

I claim the ornamental design for a radio frequency coil for magnetic resonance image device, as shown and described.

DESCRIPTION

FIG. 1 is a front perspective view of a radio frequency coil for magnetic resonance image device showing my new design;

FIG. 2 is a front view thereof;

FIG. 3 is a rear view thereof;

FIG. 4 is a left-side view thereof;

FIG. 5 is a right-side view thereof;

FIG. 6 is a top plan view thereof; and,

FIG. 7 is a bottom plan view thereof.

The broken lines in the figures depict environmental subject matter and form no part of the claimed design.

1 Claim, 5 Drawing Sheets

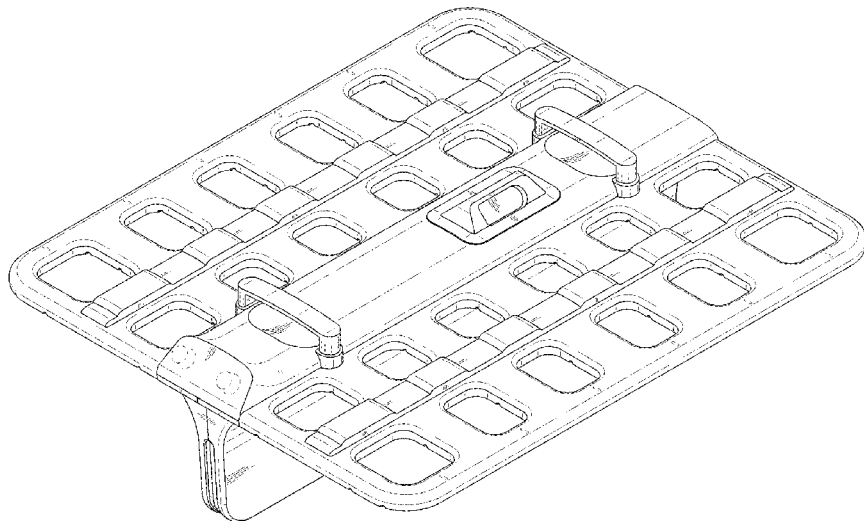


FIG. 1

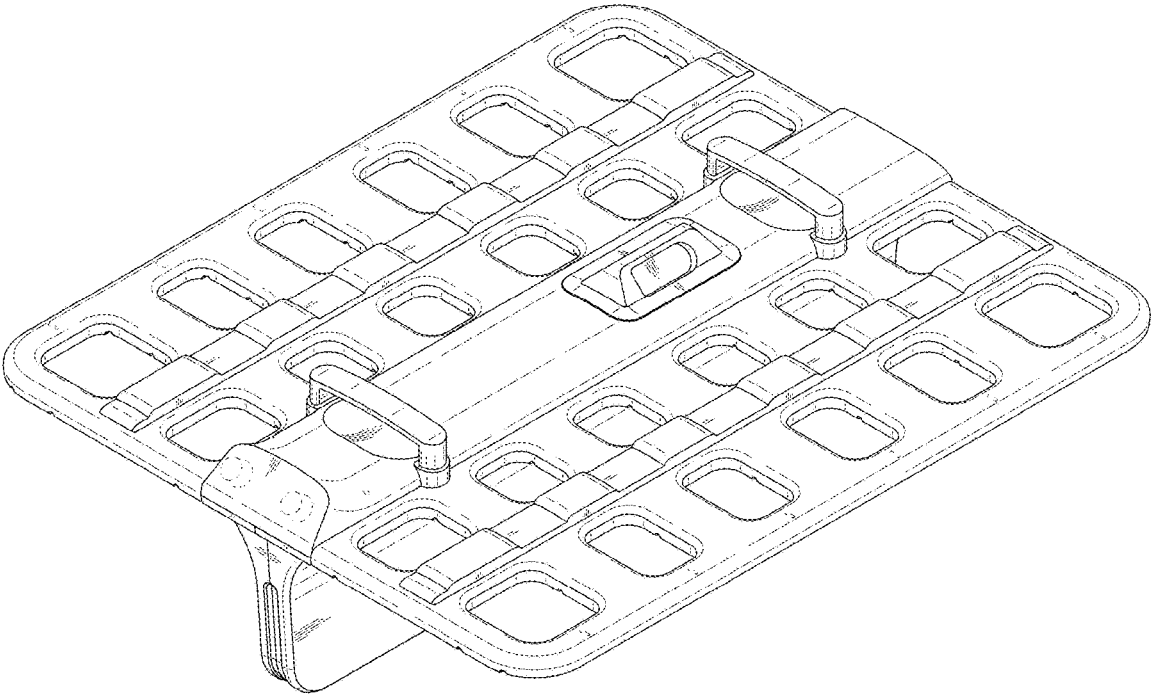


FIG. 2

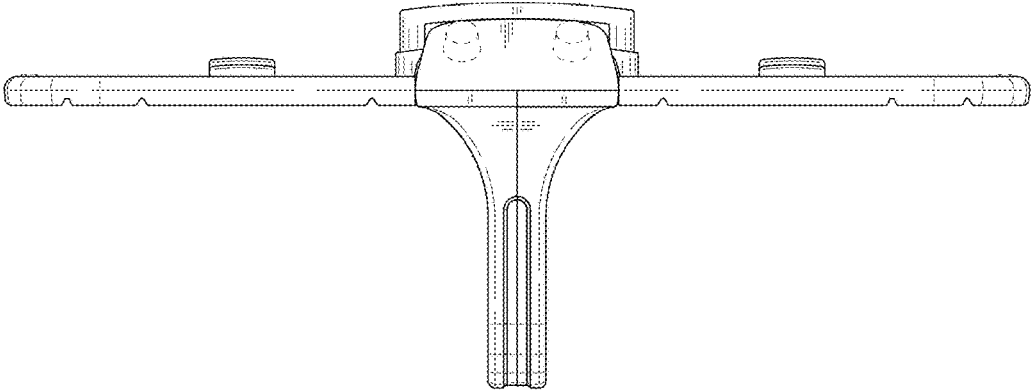


FIG. 3

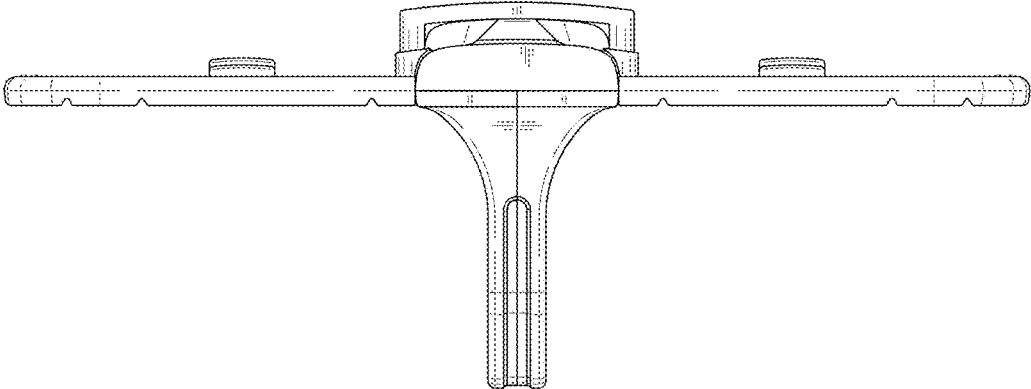


FIG. 4

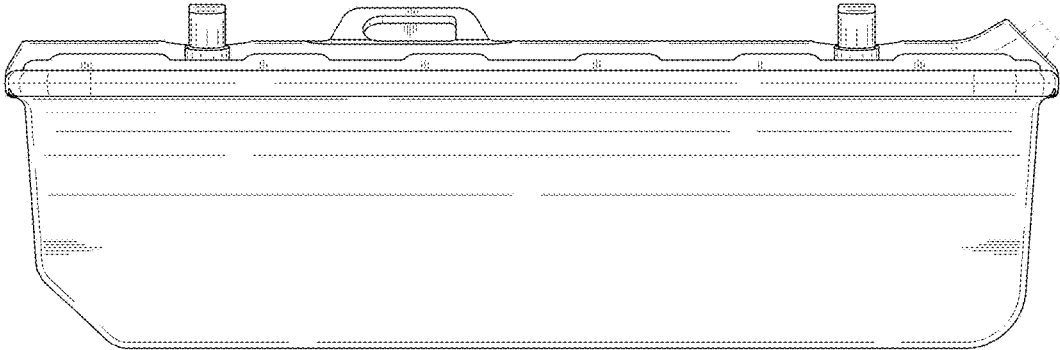


FIG. 5

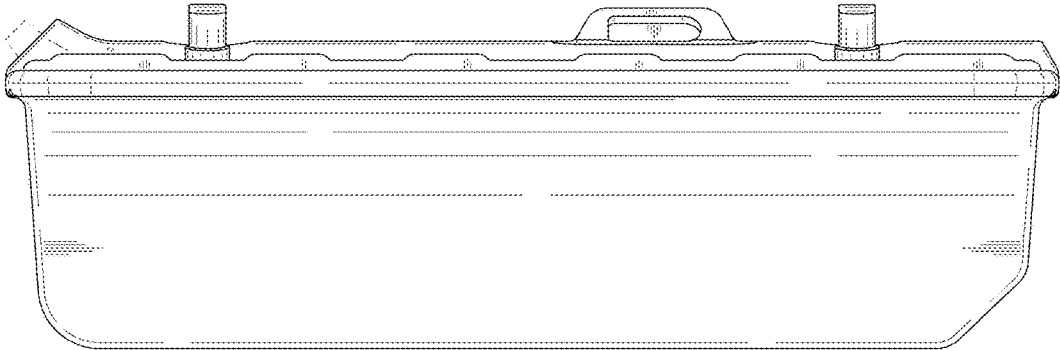


FIG. 6

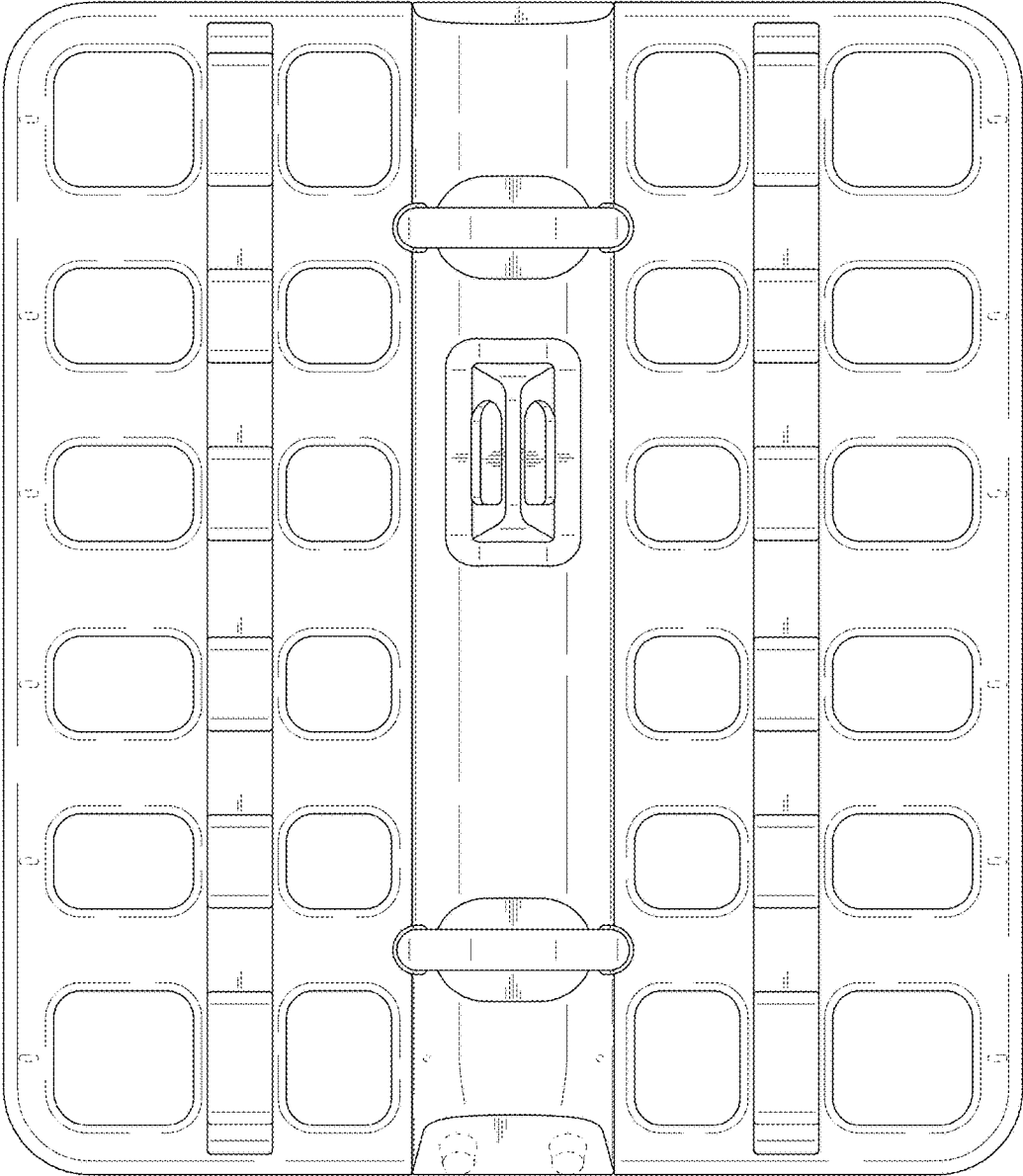


FIG. 7

