



US00D739723S

(12) **United States Design Patent**
Dorfman et al.

(10) **Patent No.:** **US D739,723 S**

(45) **Date of Patent:** **** Sep. 29, 2015**

(54) **CONTAINER**

(71) Applicant: **Berry Plastics Corporation**, Evansville, IN (US)

(72) Inventors: **Alexander P Dorfman**, Evansville, IN (US); **Scott L Fisher**, Evansville, IN (US)

(73) Assignee: **Berry Plastics Corporation**, Evansville, IN (US)

(**) Term: **14 Years**

(21) Appl. No.: **29/472,732**

(22) Filed: **Nov. 15, 2013**

(51) **LOC (10) Cl.** **09-03**

(52) **U.S. Cl.**
USPC **D9/425**

(58) **Field of Classification Search**
USPC D9/414, 415, 416, 417, 419, 421, 424, D9/425, 428, 429; D7/318, 319, 619.1, D7/629; 229/400-406, 906.1; 220/656-659, 669-675, 912, 220/4.21-4.27; 206/553, 557, 541, 775, 206/776, 217

CPC A47J 36/06; A47J 47/14; B65D 1/165; B65D 15/08; B65D 21/083; B65D 21/0234; B65D 43/162; B65D 71/50; B65D 77/24; B65D 81/3869; B65D 2543/00046; B65D 2543/00055; B65D 2543/00083; B65D 2543/00092; B65D 2543/00296

See application file for complete search history.

(56) **References Cited**

U.S. PATENT DOCUMENTS

604,514	A *	5/1898	Belden	215/382
1,331,372	A *	2/1920	Popper	220/669
3,128,029	A *	4/1964	Price et al.	229/400
D198,721	S *	7/1964	Eicholtz	D9/429
3,412,889	A *	11/1968	Eicholtz et al.	220/788

3,800,469	A *	4/1974	Lau et al.	47/65.5
D239,151	S *	3/1976	Lundin	D7/523
D239,358	S *	3/1976	Kjellqvist	D7/523
4,039,435	A *	8/1977	Narva	206/217
D267,140	S *	12/1982	Thompson	D7/531
4,874,618	A *	10/1989	Seaborne et al.	426/76
D397,915	S *	9/1998	McNaughton	D7/619.1
D409,945	S *	5/1999	Hensen	D11/152
D439,517	S *	3/2001	Lindsay et al.	D9/500
D478,478	S *	8/2003	Soohee et al.	D7/586
D482,240	S *	11/2003	Soohee et al.	D7/584
D580,233	S *	11/2008	Camarota et al.	D7/619.1
D593,407	S *	6/2009	Seo	D9/428
D645,340	S *	9/2011	Menard et al.	D9/428
D669,313	S	10/2012	Paladino	
D676,284	S *	2/2013	Pallotto	D7/629
D691,468	S *	10/2013	Markoulis et al.	D9/428
D691,469	S *	10/2013	Mohler et al.	D9/429
2013/0108739	A1 *	5/2013	Markoulis et al.	426/87

* cited by examiner

Primary Examiner — Karen S Acker

Assistant Examiner — Wendy Arminio

(74) *Attorney, Agent, or Firm* — Barnes & Thornburg LLP

(57) **CLAIM**

The ornamental design for a container, as shown and described.

DESCRIPTION

FIG. 1 is a top, front, and side perspective view of a container in accordance with the present disclosure showing our new design;

FIG. 2 is a front view thereof;

FIG. 3 is a rear view thereof;

FIG. 4 is a right side view thereof;

FIG. 5 is a left side view thereof;

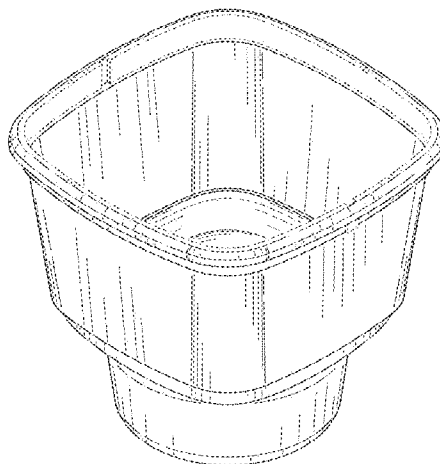
FIG. 6 is a top plan view thereof;

FIG. 7 is a bottom view thereof; and,

FIG. 8 is a top perspective view thereof.

The broken lines depict portions of the container that form no part of the claimed design.

1 Claim, 5 Drawing Sheets



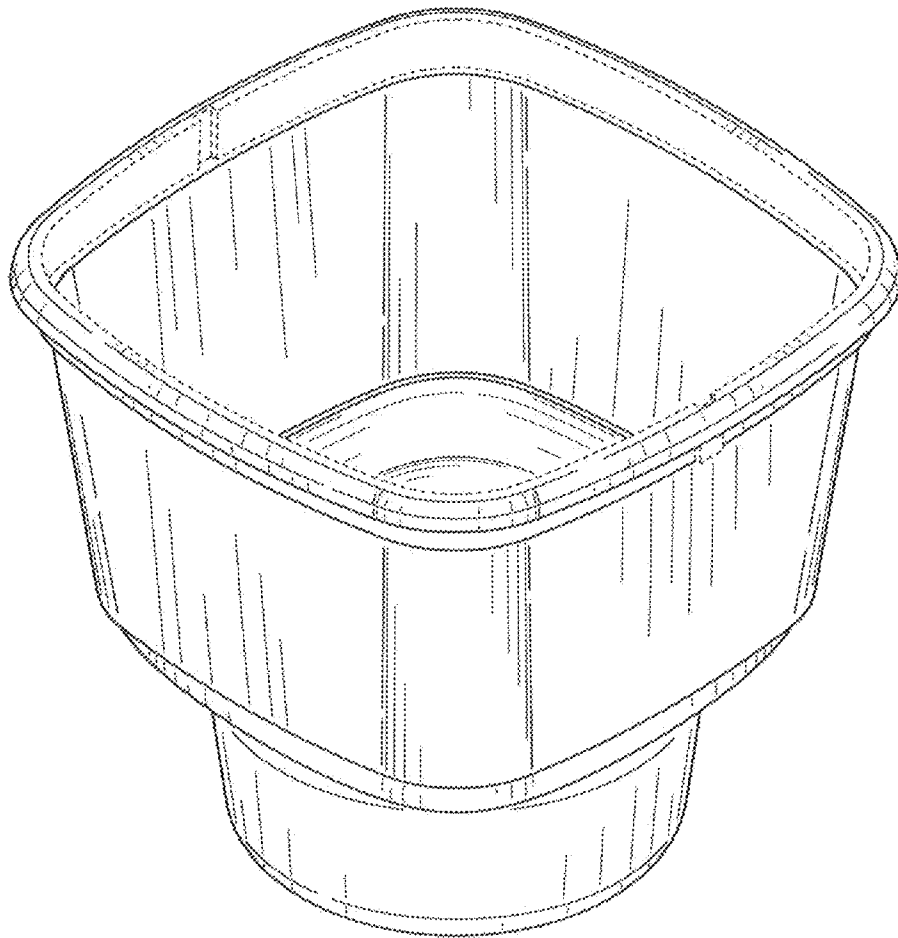


FIG. 1

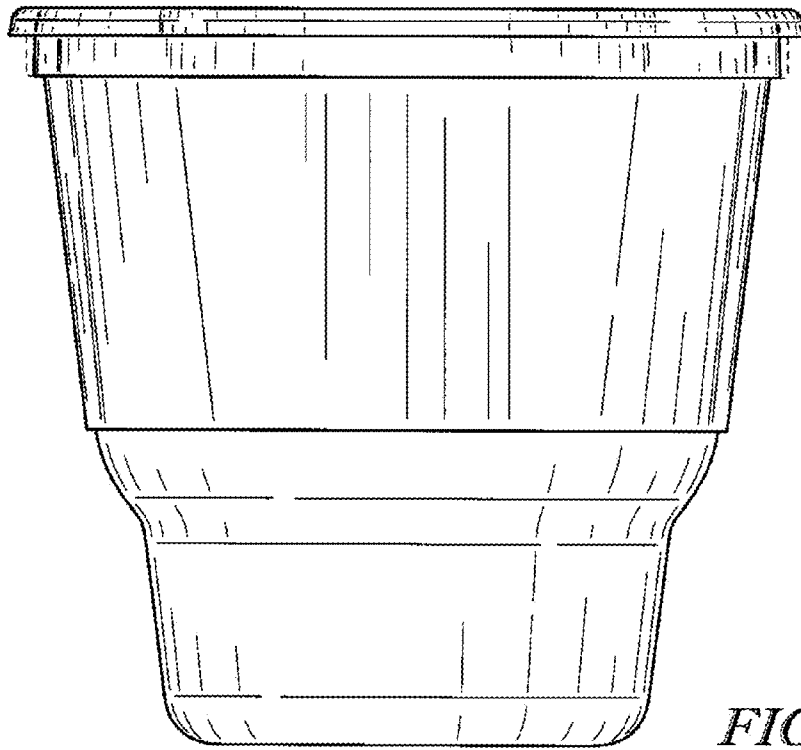


FIG. 2

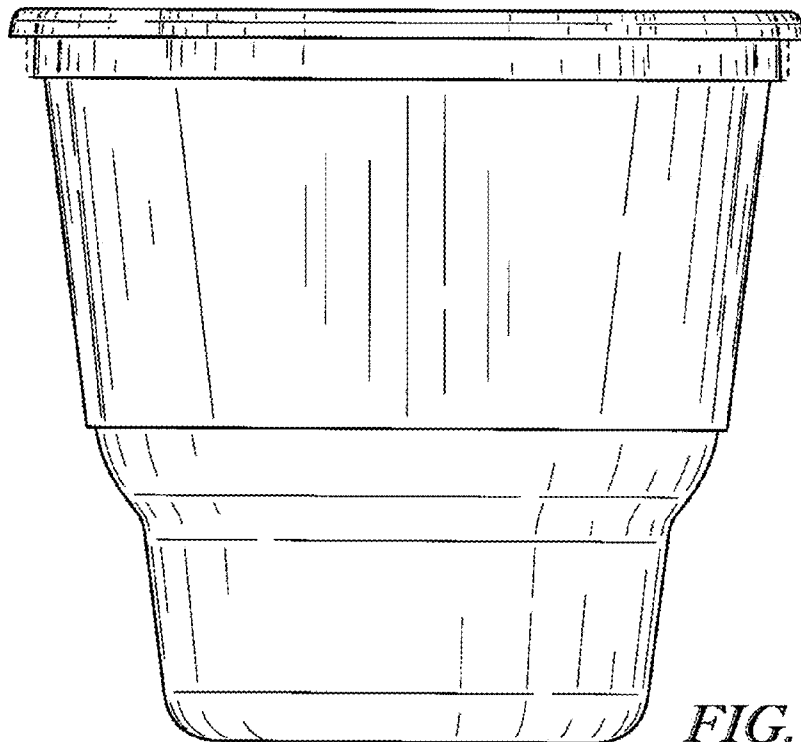


FIG. 3

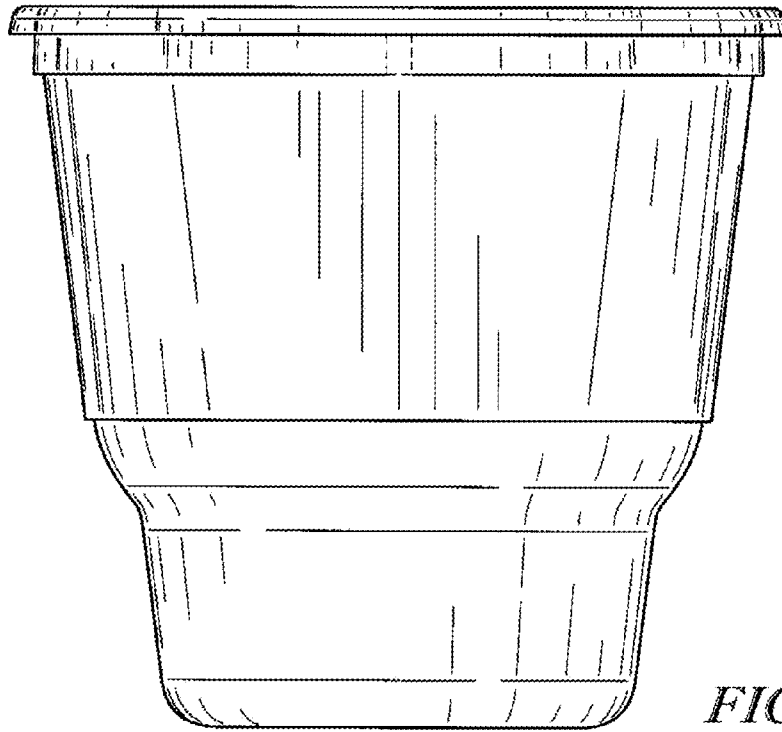


FIG. 4

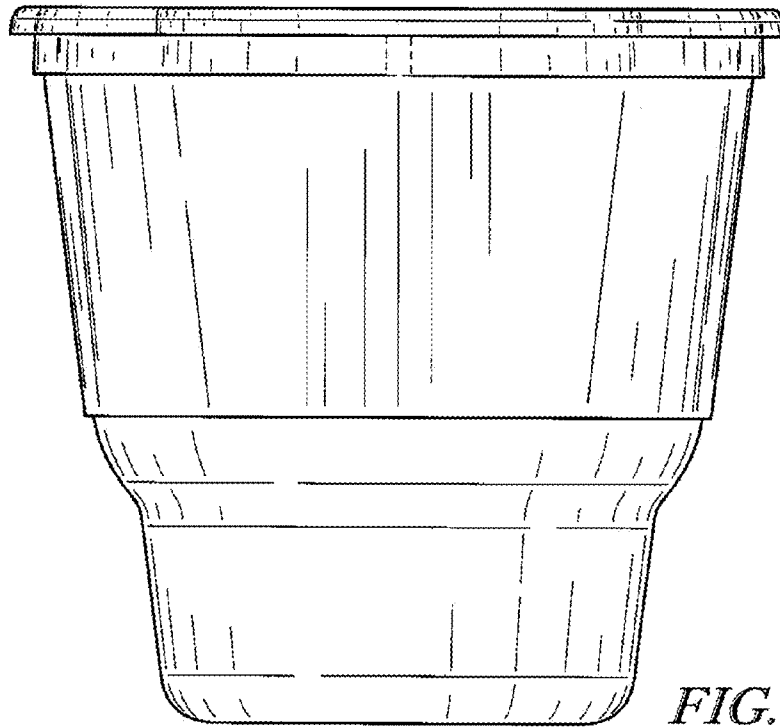


FIG. 5

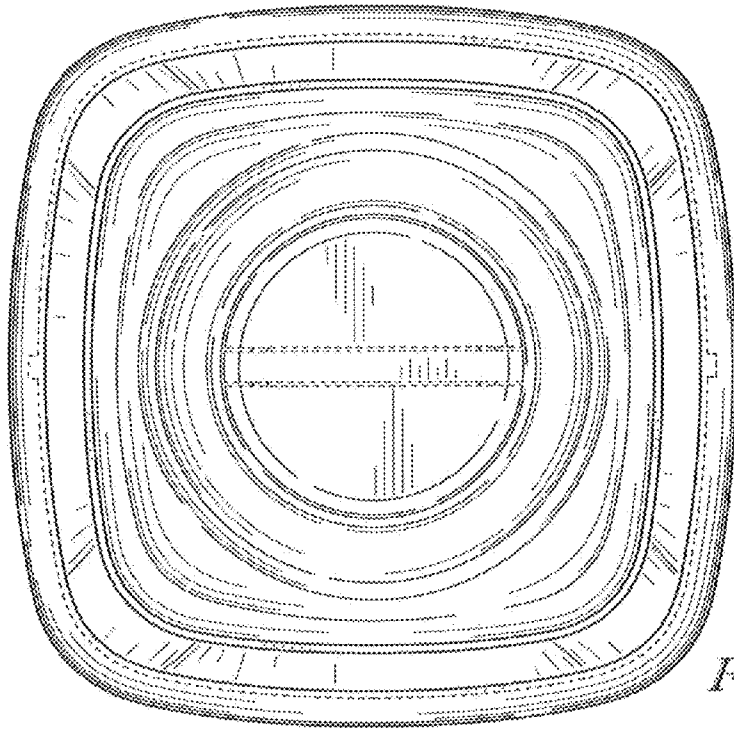


FIG. 6

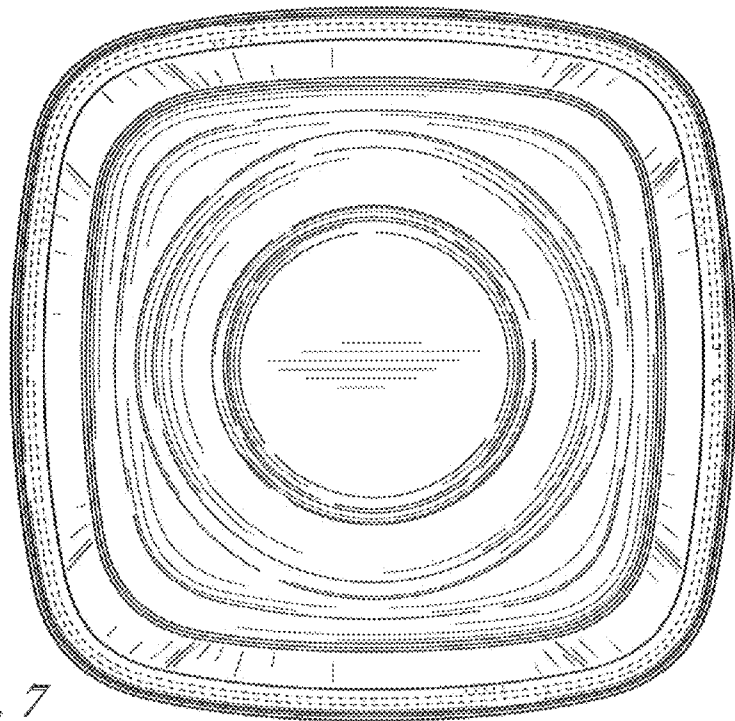


FIG. 7

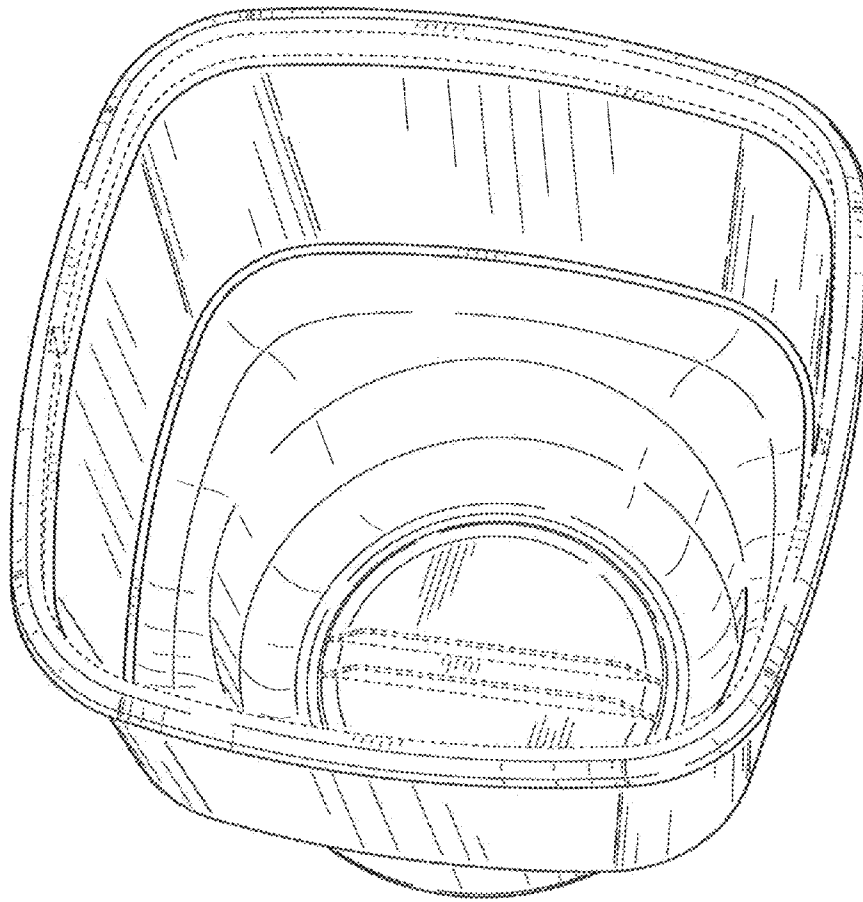


FIG. 8