



US00D489489S

(12) **United States Design Patent** (10) **Patent No.:** **US D489,489 S**
Khalaj (45) **Date of Patent:** **** May 4, 2004**

(54) **NAIL DRYER**

(76) Inventor: **Ben M. Khalaj**, 4 Autry, Irvine, CA
(US) 92618

(**) Term: **14 Years**

(21) Appl. No.: **29/168,861**

(22) Filed: **Oct. 9, 2002**

(51) **LOC (7) Cl.** **28-03**

(52) **U.S. Cl.** **D28/54.1**

(58) **Field of Search** D28/54.1, 58;
34/202, 201, 231; 392/380

(56) **References Cited**

U.S. PATENT DOCUMENTS

2,490,019 A	*	12/1949	Elliot	34/202
2,734,282 A	*	2/1956	Nemeth	34/202
3,930,320 A	*	1/1976	Henderson	34/202
D277,323 S	*	1/1985	Raicevic	D28/58
D279,412 S	*	6/1985	Fung	D28/58

4,754,769 A	*	7/1988	Flynn	132/73.5
D299,559 S	*	1/1989	Wong	D28/58
D451,247 S	*	11/2001	Khalaj	D28/54.1

* cited by examiner

Primary Examiner—Lucy Lieberman

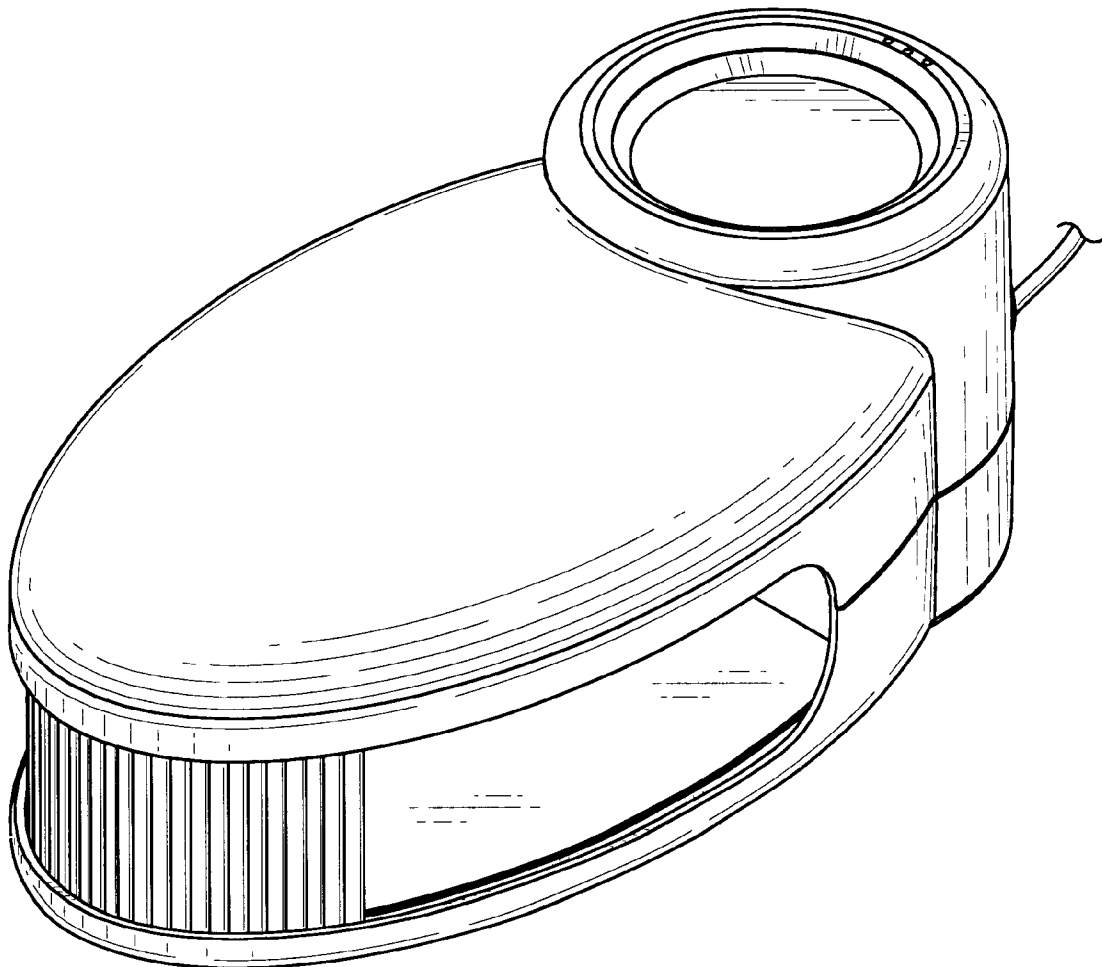
(57) **CLAIM**

The ornamental design for a nail dryer, as shown & described.

DESCRIPTION

FIG. 1 is a top perspective view of a nail dryer showing my new design;
FIG. 2 is a top plan view thereof;
FIG. 3 is a right side elevation thereof;
FIG. 4 is a bottom plan view thereof;
FIG. 5 is a left side elevation thereof;
FIG. 6 is a front elevation thereof; and,
FIG. 7 is a rear elevation thereof.

1 Claim, 3 Drawing Sheets



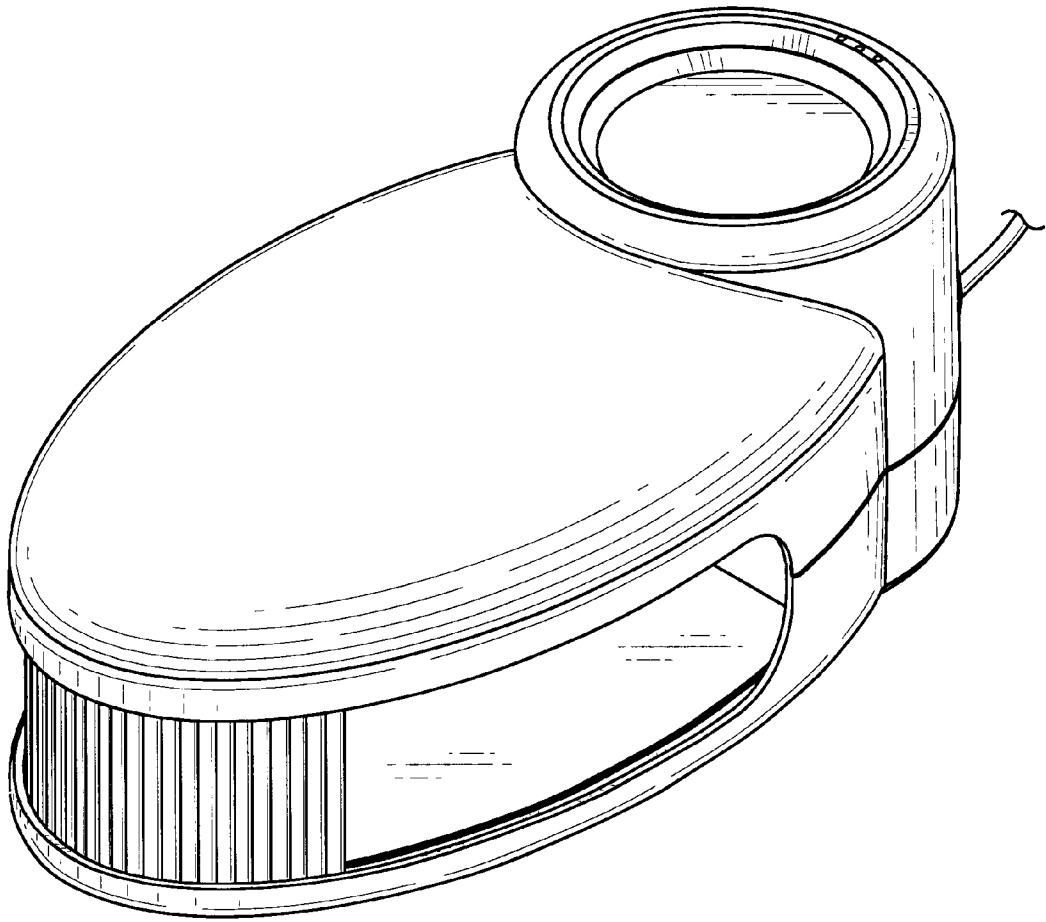


Fig. 1

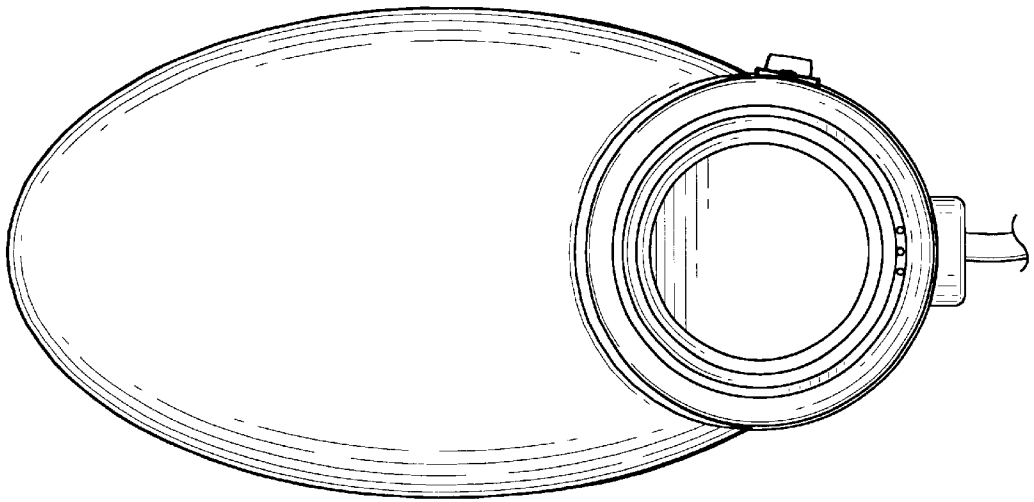


Fig. 2

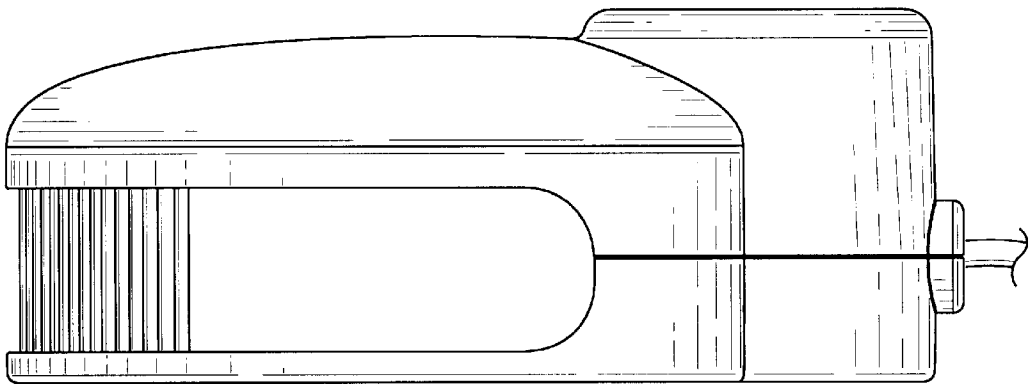


Fig. 3

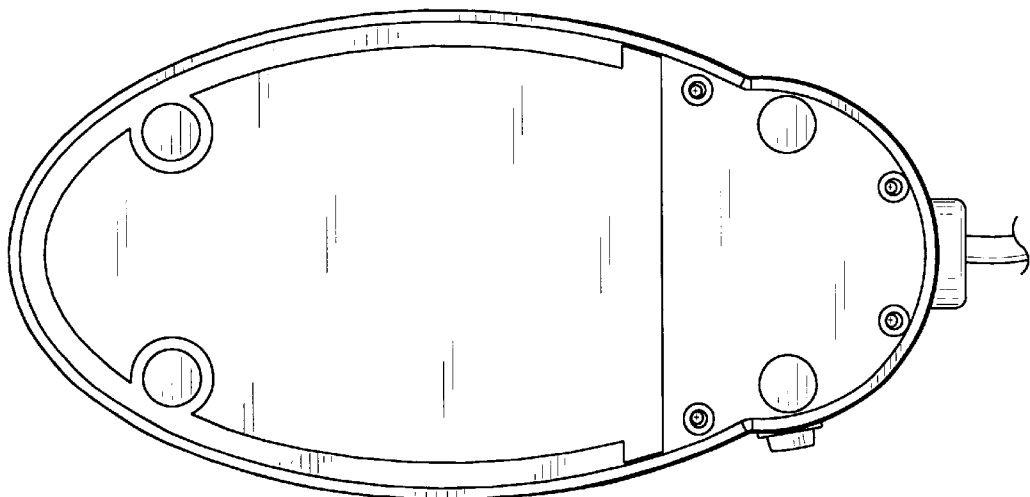


Fig. 4

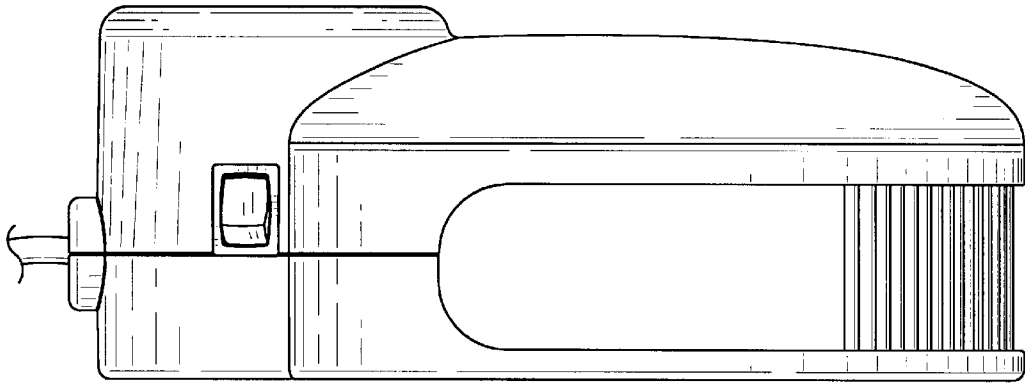


Fig. 5

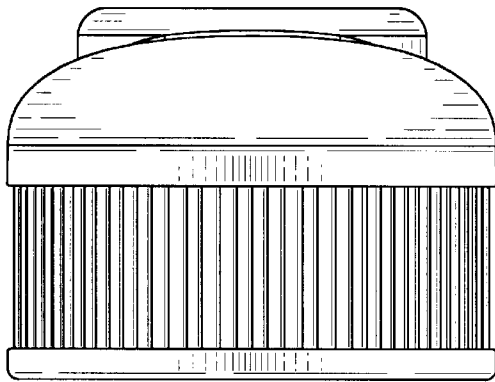


Fig. 6

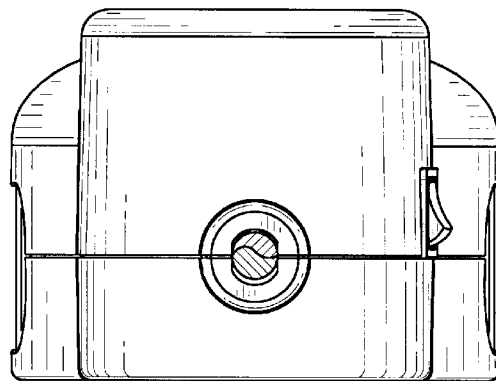


Fig. 7