



(51) International Patent Classification:

A61M 5/31 (2006.01) A61M 5/50 (2006.01)
A61M 39/02 (2006.01) A61M 39/22 (2006.01)
A61M 5/32 (2006.01) A61J 1/14 (2006.01)

(21) International Application Number:

PCT/US2011/057768

(22) International Filing Date:

25 October 2011 (25.10.2011)

(25) Filing Language:

English

(26) Publication Language:

English

(30) Priority Data:

61/406,343 25 October 2010 (25.10.2010) US

(71) Applicant (for all designated States except US):

UNIVERSITY OF KANSAS [US/US]; 2385 Irving Hill Road, Lawrence, KS 66045-7563 (US).

(72) Inventors; and

(75) Inventors/Applicants (for US only):

WALLER, Stephen [US/US]; 9200 Slater Street, Overland Park, KS 66212 (US). WILSON, Sara, Ellen [US/US]; 2716 Stratford Road, Lawrence, KS 66049 (US). MCDANIEL, Katrina, Lynn [US/US]; 1100 Avalon SQ, Apt. 1431, Glen Cove, NY 11542 (US). CLOUGH, Lisa, Ann [US/US]; 3700 W. 61st Terrace, Fairway, KS 66205 (US). SOLTYS, Joseph

[US/US]; 10818 W. 100th Place, Overland Park, KS 66214 (US).

(74) Agents: HANSEN, Andrew, S. et al; Workman Nydegger, 60 East South Temple, 1000 Eagle Gate Tower, Salt Lake City, UT 84111 (US).

(81) Designated States (unless otherwise indicated, for every kind of national protection available): AE, AG, AL, AM, AO, AT, AU, AZ, BA, BB, BG, BH, BR, BW, BY, BZ, CA, CH, CL, CN, CO, CR, CU, CZ, DE, DK, DM, DO, DZ, EC, EE, EG, ES, FI, GB, GD, GE, GH, GM, GT, HN, HR, HU, ID, IL, IN, IS, JP, KE, KG, KM, KN, KP, KR, KZ, LA, LC, LK, LR, LS, LT, LU, LY, MA, MD, ME, MG, MK, MN, MW, MX, MY, MZ, NA, NG, NI, NO, NZ, OM, PE, PG, PH, PL, PT, QA, RO, RS, RU, RW, SC, SD, SE, SG, SK, SL, SM, ST, SV, SY, TH, TJ, TM, TN, TR, TT, TZ, UA, UG, US, UZ, VC, VN, ZA, ZM, ZW.

(84) Designated States (unless otherwise indicated, for every kind of regional protection available): ARIPO (BW, GH, GM, KE, LR, LS, MW, MZ, NA, RW, SD, SL, SZ, TZ, UG, ZM, ZW), Eurasian (AM, AZ, BY, KG, KZ, MD, RU, TJ, TM), European (AL, AT, BE, BG, CH, CY, CZ, DE, DK, EE, ES, FI, FR, GB, GR, HR, HU, IE, IS, IT, LT, LU, LV, MC, MK, MT, NL, NO, PL, PT, RO, RS, SE, SI, SK, SM, TR), OAPI (BF, BJ, CF, CG, CI, CM, GA, GN, GQ, GW, ML, MR, NE, SN, TD, TG).

[Continued on nextpage]

(54) Title: MEDICATION ACCESS DEVICE FOR PREVENTION OF MEDICATION RESERVOIR CONTAMINATION

Drug delivery control valve

(one-way valve)

Syringe adapter (2 parts)

- Part A (removable)
- Part B (attached to syringe) - 2 connected halves

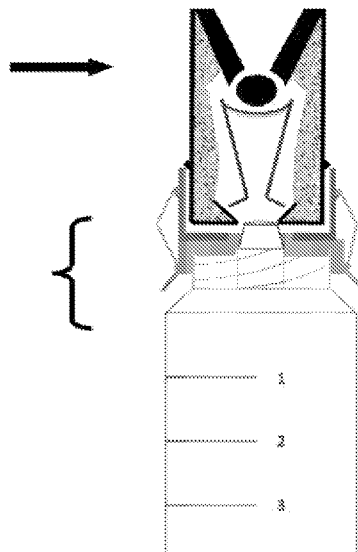


Fig. 11

(57) Abstract: A safety-engineered, one-time use, syringe adaptor-connector system restricts access to medical vials and intravenous bags (e.g., common reservoirs) using a valve and providing a barrier to inserting a needle in the reservoir.



WO 2012/058247 A3

Published:

(88) Date of publication of the international search report:

- *with international search report (Art. 21(3))*
- *before the expiration of the time limit for amending the claims and to be republished in the event of receipt of amendments (Rule 48.2(h))*

5 July 2012

INTERNATIONAL SEARCH REPORT

International application No.
PCT/US2011/057768**A. CLASSIFICATION OF SUBJECT MATTER****A61M 5/31(2006.01)i, A61M 39/02(2006.01)I, A61M 5/32(2006.01)I, A61M 5/50(2006.01)I, A61M 39/22(2006.01)I, A61J 1/14(2006.01)i**

According to International Patent Classification (IPC) or to both national classification and IPC

B. FIELDS SEARCHED

Minimum documentation searched (classification system followed by classification symbols)

A61M 5/31; A61M 5/32; A61M 5/28; A61J 1/14; A61J 1/20; A61B 19/00

Documentation searched other than minimum documentation to the extent that such documents are included in the fields searched

Korean utility models and applications for utility models

Japanese utility models and applications for utility models

Electronic data base consulted during the international search (name of data base and, where practicable, search terms used)

eKOMPASS(KIPO internal) & Keywords: syringe, adaptor, connector, reservoir

C. DOCUMENTS CONSIDERED TO BE RELEVANT

Category*	Citation of document, with indication, where appropriate, of the relevant passages	Relevant to claim No.
X	EP 0344956 A1 (BRITISH TECHNOLOGY GROUP LIMITED) 06 December 1989 See the abstract; claim 1; and figs. 1-2, 4, 7, and 9.	1-3
A	KR 10-2010-0016526 A (PLASTMED LTD.) 12 February 2010 See the abstract; and fig. 4.	1-3
A	US 2006-0030832 A1 (NIEDOSPIAL, JR. et al.) 09 February 2006 See the abstract; claim 1; and figs. 21 and 24.	1-3
A	JP 2005-296135 A (JMS CO., LTD.) 27 October 2005 See the abstract; claims 1-2; and figs. 1 and 5.	1-3

 Further documents are listed in the continuation of Box C. See patent family annex.

* Special categories of cited documents:

"A" document defining the general state of the art which is not considered to be of particular relevance

"E" earlier application or patent but published on or after the international filing date

"L" document which may throw doubts on priority claim(s) or which is cited to establish the publication date of citation or other special reason (as specified)

"O" document referring to an oral disclosure, use, exhibition or other means

"P" document published prior to the international filing date but later than the priority date claimed

"T" later document published after the international filing date or priority date and not in conflict with the application but cited to understand the principle or theory underlying the invention

"X" document of particular relevance; the claimed invention cannot be considered novel or cannot be considered to involve an inventive step when the document is taken alone

"Y" document of particular relevance; the claimed invention cannot be considered to involve an inventive step when the document is combined with one or more other such documents, such combination being obvious to a person skilled in the art

"&" document member of the same patent family

Date of the actual completion of the international search

11 MAY 2012 (11.05.2012)

Date of mailing of the international search report

14 MAY 2012 (14.05.2012)

Name and mailing address of the ISA/KR

Korean Intellectual Property Office
Government Complex-Daejeon, 189 Cheongsa-ro,
Seo-gu, Daejeon 302-701, Republic of Korea

Facsimile No. 82-42-472-7140

Authorized officer

LEE, Cheol Soo

Telephone No. 82-42-481-8525



INTERNATIONAL SEARCH REPORT

Information on patent family members

International application No.

PCT/US2011/057768

Patent document cited in search report	Publication date	Patent family member(s)	Publication date
EP 0344956 A1	06. 12. 1989	GB 2218911 A	29. 11. 1989
		GB 2218911 B	19. 02. 1992
		GB 8812793 DO	29. 06. 1988
		GB 8911818 DO	12. 07. 1989
KR 10-2010-0016526 A	12. 02. 2010	AU 2008-242160 A1	30. 10. 2008
		CA 2684745 A1	30. 10. 2008
		CN 101686896 A	31. 03. 2010
		EP 2139442 A2	06. 01. 2010
		JP 2010-524626 A	22. 07. 2010
		US 2010-0218846 A1	02. 09. 2010
		US 2012-0046636 A1	23. 02. 2012
		WO 2008-129550 A2	30. 10. 2008
		WO 2008-129550 A3	30. 10. 2008
		US 2006-0030832 A1	09. 02. 2006
us 2002-0115980 A1	22. 08. 2002		
us 2005-0124964 A1	09. 06. 2005		
us 2007-0032775 A1	08. 02. 2007		
us 2010-0298805 A1	25. 11. 2010		
us 6503240 B1	07. 01. 2003		
us 6544246 B1	08. 04. 2003		
us 6832994 B2	21. 12. 2004		
us 6997917 B2	14. 02. 2006		
us 7799009 B2	21. 09. 2010		
JP 2005-296135 A	27. 10. 2005	CN 101711903 A	26. 05. 2010
		CN 1942211 A	04. 04. 2007
		CN 1942211 CO	04. 04. 2007
		EP 1733749 A1	20. 12. 2006
		JP 2005-296136 A	27. 10. 2005
		JP 2005-296137 A	27. 10. 2005
		JP 2005-296139 A	27. 10. 2005
		JP 2005-296140 A	27. 10. 2005
		JP 2005-296141 A	27. 10. 2005
		JP 4599875 B2	15. 12. 2010
		US 2007-0265577 A1	15. 11. 2007
		us 2009-0198192 A1	06. 08. 2009
		us 8105312 B2	31. 01. 2012
		wo 2005-099791 A1	27. 10. 2005