



(12) **United States Design Patent**  
**Holmes**

(10) **Patent No.:** **US D899,581 S**  
(45) **Date of Patent:** **\*\* Oct. 20, 2020**

- (54) **CEILING FAN MOTOR HOUSING**
- (71) Applicant: **HUNTER FAN COMPANY**,  
Memphis, TN (US)
- (72) Inventor: **Christine Holmes**, Memphis, TN (US)
- (73) Assignee: **Hunter Fan Company**, Memphis, TN  
(US)
- (\*\*) Term: **15 Years**
- (21) Appl. No.: **29/714,017**
- (22) Filed: **Nov. 20, 2019**

D526,715 S	8/2006	Glasbrenner
D529,602 S	10/2006	Glasbrenner
D547,436 S	7/2007	Shurtleff
D552,228 S	10/2007	Ertze
D563,543 S	3/2008	Pickett
D581,040 S	11/2008	Pickett
D594,540 S	6/2009	Pan
D627,456 S	11/2010	Glasbrenner
D627,870 S	11/2010	Wang
D633,611 S	3/2011	Pan
D744,081 S	11/2015	Wang
D801,515 S	10/2017	Wang
D805,624 S	12/2017	O'Connell et al.
D810,921 S	2/2018	McRoberts
9,897,095 B2	2/2018	Botkin

(Continued)

**Related U.S. Application Data**

- (62) Division of application No. 29/624,797, filed on Nov. 3, 2017, now Pat. No. Des. 872,250.
- (51) **LOC (12) Cl.** ..... **23-03**
- (52) **U.S. Cl.**  
USPC ..... **D23/411**
- (58) **Field of Classification Search**  
USPC ..... D23/370-385, 411-414; D26/59, 85, 86,  
D26/89, 90  
CPC ..... F04D 25/088; F04D 29/38; F04D 29/384;  
F04D 29/386; F21V 33/0096  
See application file for complete search history.

**References Cited**

**U.S. PATENT DOCUMENTS**

1,588,222 A	6/1926	D'Olier, Jr.	
D285,720 S	9/1986	Markwardt	
D312,689 S *	12/1990	Weatherford	..... D23/377
D393,710 S	4/1998	Gee, II	
D399,333 S	10/1998	Greene et al.	
D404,123 S	1/1999	Pelonis	
6,264,344 B1	7/2001	Quiogue et al.	
D479,872 S	9/2003	Young	
D506,822 S	6/2005	Young	

**OTHER PUBLICATIONS**

<http://www.kingoffans.com/photos/manuals/20.pdf>, Owner's Manual for King of Fans Sibley 52 in Ceiling Fan, accessed Apr. 2, 2017.  
(Continued)

*Primary Examiner* — Cathron C Brooks  
*Assistant Examiner* — Sharon S Oum  
(74) *Attorney, Agent, or Firm* — McGarry Bair PC

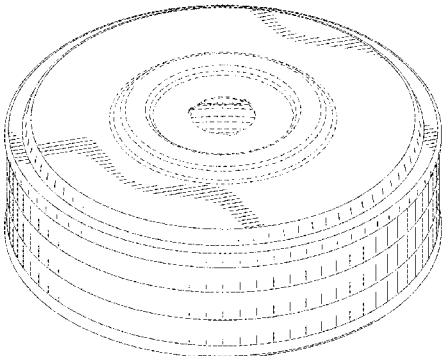
(57) **CLAIM**

The ornamental design for a ceiling fan motor housing, as shown and described.

**DESCRIPTION**

FIG. 1 is a top perspective view of a ceiling fan motor housing, showing my new design;  
FIG. 2 is a bottom perspective view thereof;  
FIG. 3 is a bottom view thereof;  
FIG. 4 is a top view thereof; and,  
FIG. 5 is a side view thereof.  
Portions of the ceiling fan motor housing shown in broken lines form no part of the claimed design.

**1 Claim, 4 Drawing Sheets**



(56)

**References Cited**

## U.S. PATENT DOCUMENTS

D827,805 S 9/2018 Biancuzzo  
D838,357 S 1/2019 Haggar  
D872,250 S \* 1/2020 Holmes ..... D23/377  
2017/0045197 A1 2/2017 Rossi

## OTHER PUBLICATIONS

<http://www.kingoffans.com/photos/manuals/107.pdf>, Owner's Manual for King of Fans Carlisle 52" Ceiling Fan, Model No. EF200S (H)—52, accessed Apr. 2, 2017.

[https://www.amazon.com/Hampton-Bay-Middleton-Ceiling-White-OB/dp/B00UM7UGPK/ref=sr\\_1\\_2?ie=UTF8&qid=1491158071&sr=8-2&keywords=white+42+inch+ceiling+fan&refinements=p\\_89%3AHampton+Bay,Item+Specification+for+Hampton+Bay+Middleton+42"+Ceiling+Fan,Item+No.+121079+UE42VWH-SHB](https://www.amazon.com/Hampton-Bay-Middleton-Ceiling-White-OB/dp/B00UM7UGPK/ref=sr_1_2?ie=UTF8&qid=1491158071&sr=8-2&keywords=white+42+inch+ceiling+fan&refinements=p_89%3AHampton+Bay,Item+Specification+for+Hampton+Bay+Middleton+42), accessed Apr. 2, 2017.

<http://www.homedepot.com/p/Hampton-Bay-Littleton-42-in-White-Ceiling-Fan-UB42SWH-SH/204492480>, Item Specification for Hampton Bay Littleton 42 in. White Ceiling Fan, Item No. UB42SWH-SH, accessed Apr. 2, 2017.

<http://www.hunterfan.com/Ceiling-Fans/Newsome-Low-Profile?ModelNumber=51080>, Item Specification for Newsome LP—42" Ceiling Fan, Item 51080, accessed Apr. 2, 2017.

<http://www.kichler.com/products/product/52-inch-monarch-ii-select-fan-oz-339213oz.aspx>, Item Specification for Kichler Monarch II Select Collection, 52 Inch Monarch II Select Fan OZ, Item 339213OZ, accessed Apr. 2, 2017.

<http://www.montecarlofans.com/21310/52-Weatherford-Deluxe-Outdoor-Fan---Roman-Bronze-5W-F52RBD.html>, Item Specification for the Monte Carlo 52" Weatherford Deluxe Outdoor Fan, 5WF52RBD-L, accessed Apr. 2, 2017.

\* cited by examiner

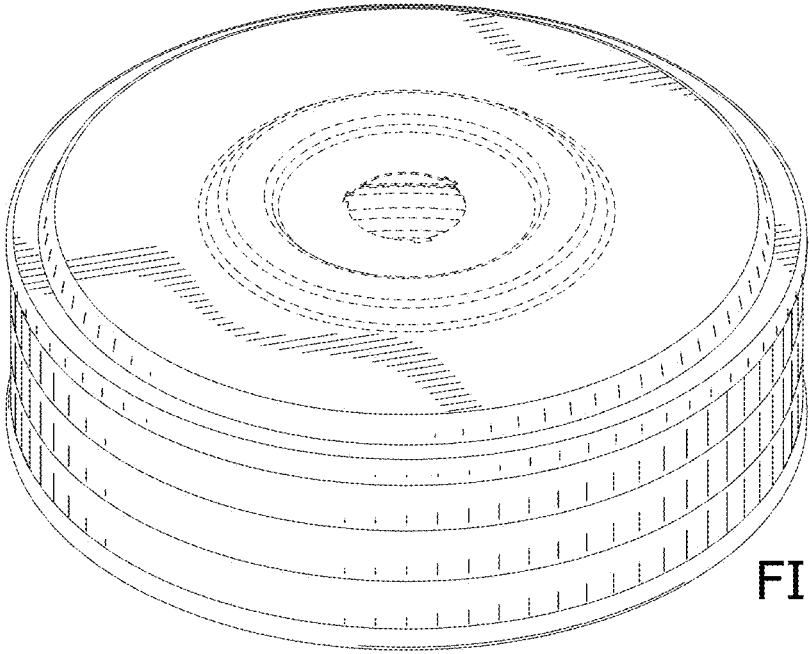


FIG. 1

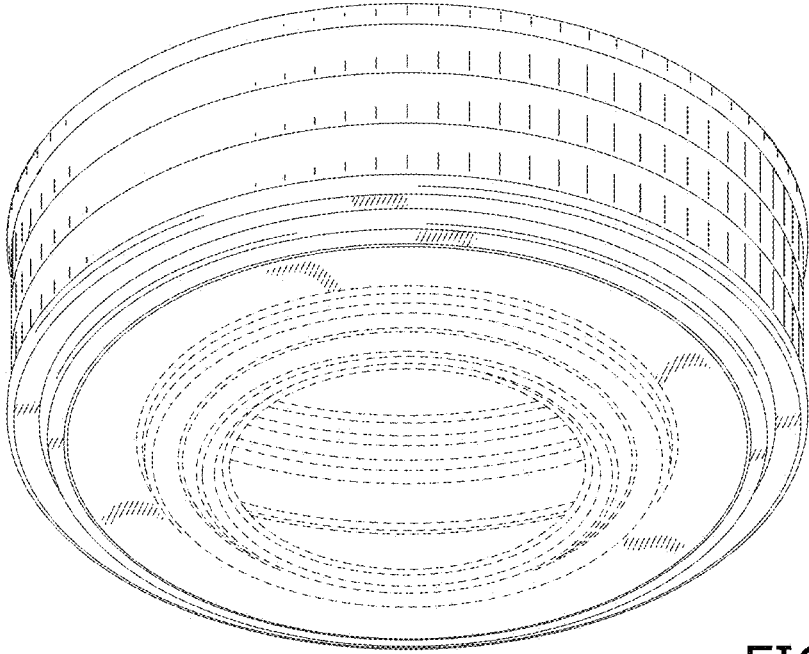


FIG. 2

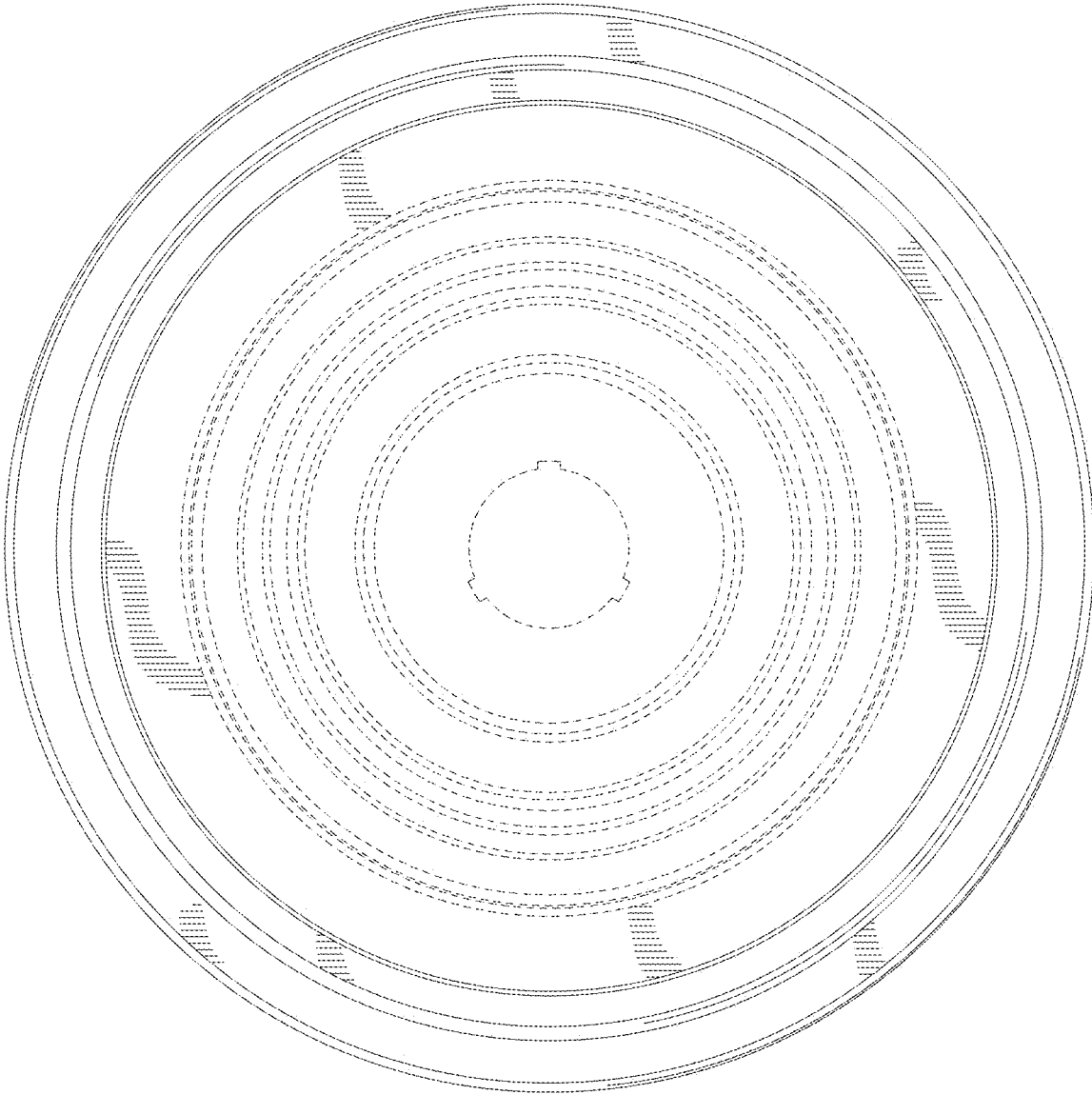


FIG.3

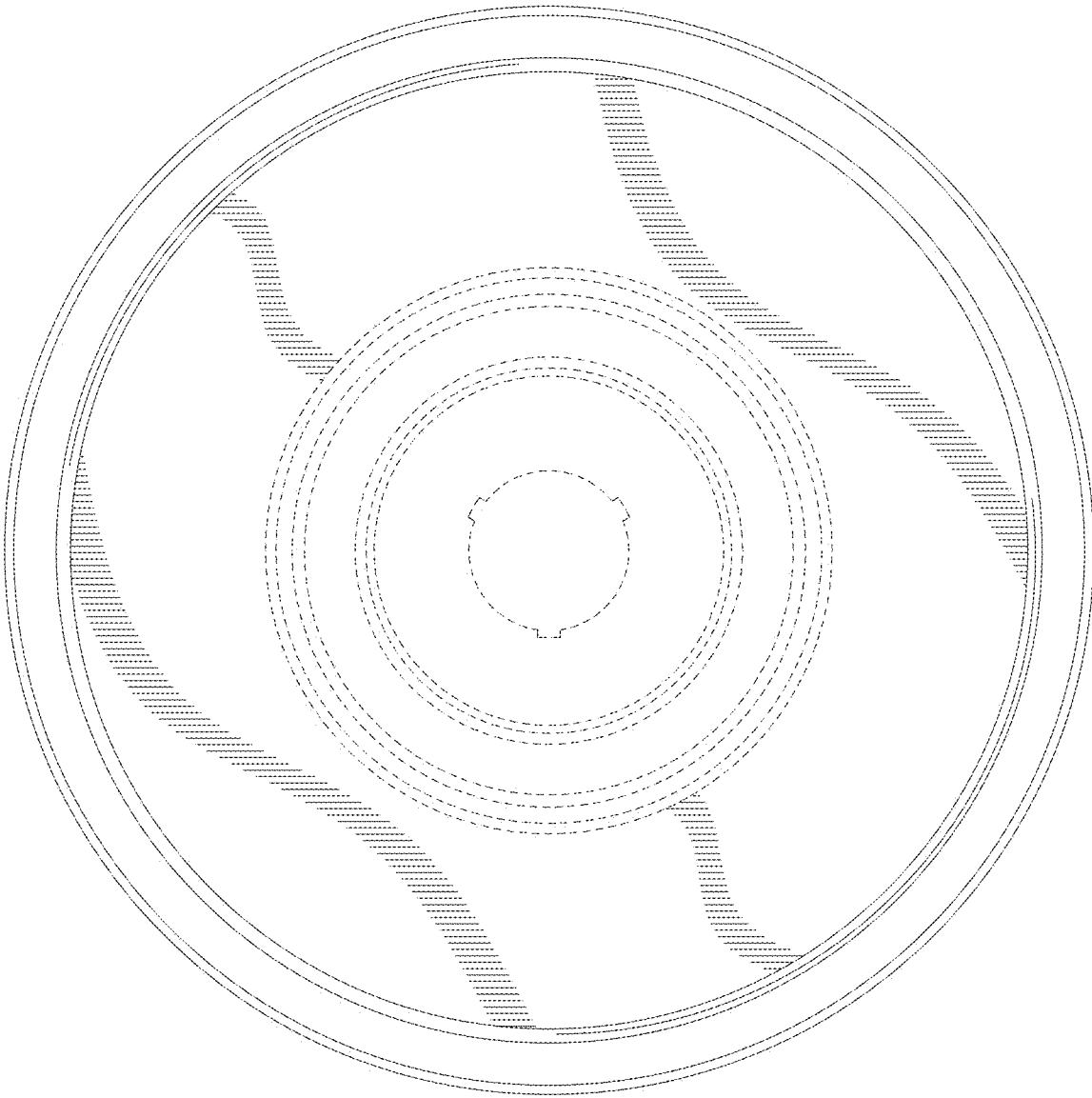


FIG.4

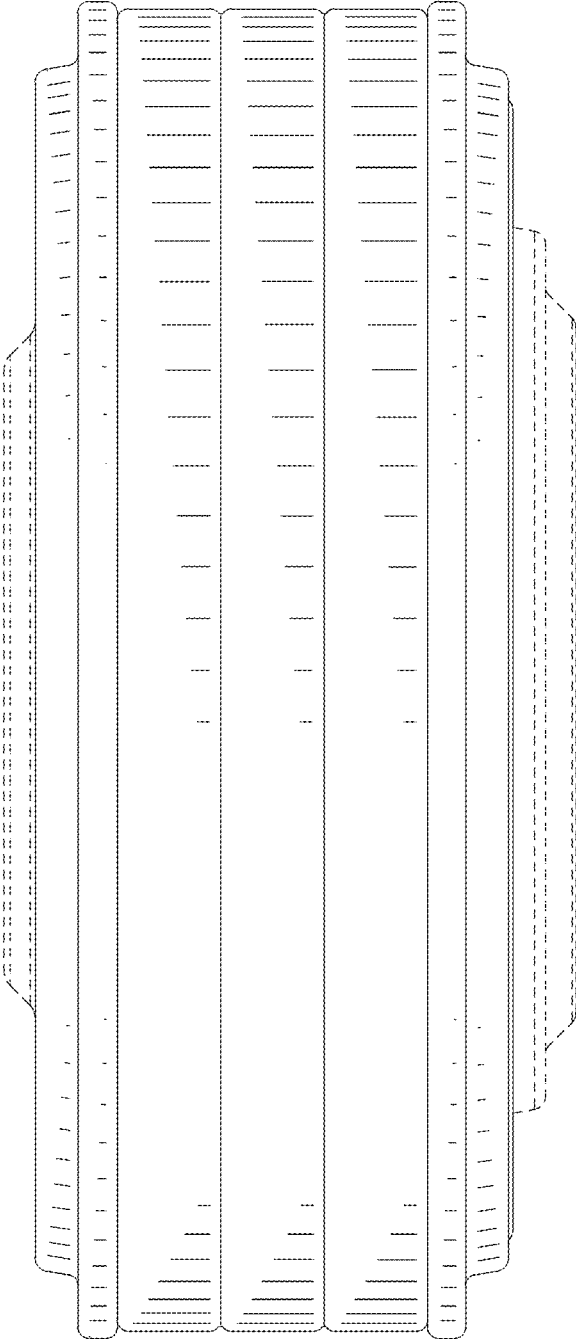


FIG.5