



US0D1069310S

(12) **United States Design Patent**
Wengerd et al.

(10) **Patent No.:** **US D1,069,310 S**

(45) **Date of Patent:** **** Apr. 1, 2025**

(54) **WELD CART**

(71) Applicant: **FLEXTUR CORP.**, Dalton, OH (US)

(72) Inventors: **John W. Wengerd**, Dalton, OH (US);
Larry E. Weaver, Dalton, OH (US)

(73) Assignee: **Flextur Corp.**, Dalton, OH (US)

(**) Term: **15 Years**

(21) Appl. No.: **29/866,417**

(22) Filed: **Sep. 12, 2022**

(51) **LOC (15) Cl.** **12-02**

(52) **U.S. Cl.**

USPC **D34/17**

(58) **Field of Classification Search**

USPC D34/12, 17, 23, 26; D15/144

CPC B62B 3/022; B62B 3/025; B62B 3/005;

B62B 3/002; B62B 2205/32; B25H 1/00;

B25H 1/04

See application file for complete search history.

(56) **References Cited**

U.S. PATENT DOCUMENTS

D675,394 S *	1/2013	Pedersen	D34/17
D774,118 S *	12/2016	Demmeler	D15/144
9,896,117 B1	2/2018	Wong et al.		
2019/0059572 A1*	2/2019	Moody	B23K 37/0461

OTHER PUBLICATIONS

Flextur cart, announced 2023 [online], [site visited Nov. 6, 2024]. Avail from int, URL: <https://www.flextur.com/products/mobile-welding-table-cart> (Year: 2023).*

* cited by examiner

Primary Examiner — Cynthia Ramirez

Assistant Examiner — Tamara L Hahn

(74) *Attorney, Agent, or Firm* — Sand, Sebolt & Wernow Co., LPA

(57) **CLAIM**

The ornamental design for a weld cart as shown and described.

DESCRIPTION

FIG. 1 is a front, top, right side isometric perspective view of a weld cart in accordance with our design.

FIG. 2 is a front elevation view of the weld cart shown in FIG. 1.

FIG. 3 is a rear elevation view of the weld cart shown in FIG. 1.

FIG. 4 is a right side elevation view of the weld cart shown in FIG. 1.

FIG. 5 is a left side elevation view of the weld cart shown in FIG. 1.

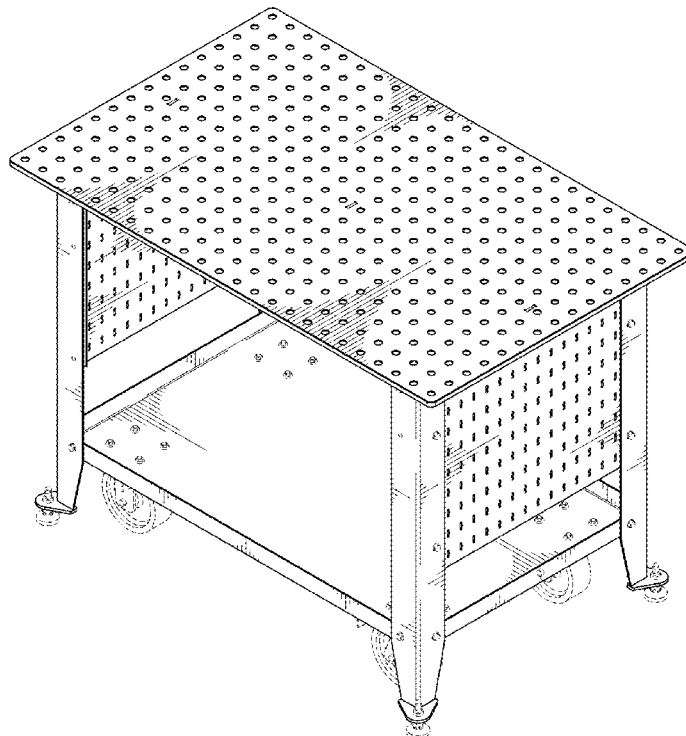
FIG. 6 is a top plan view of the weld cart shown in FIG. 1.

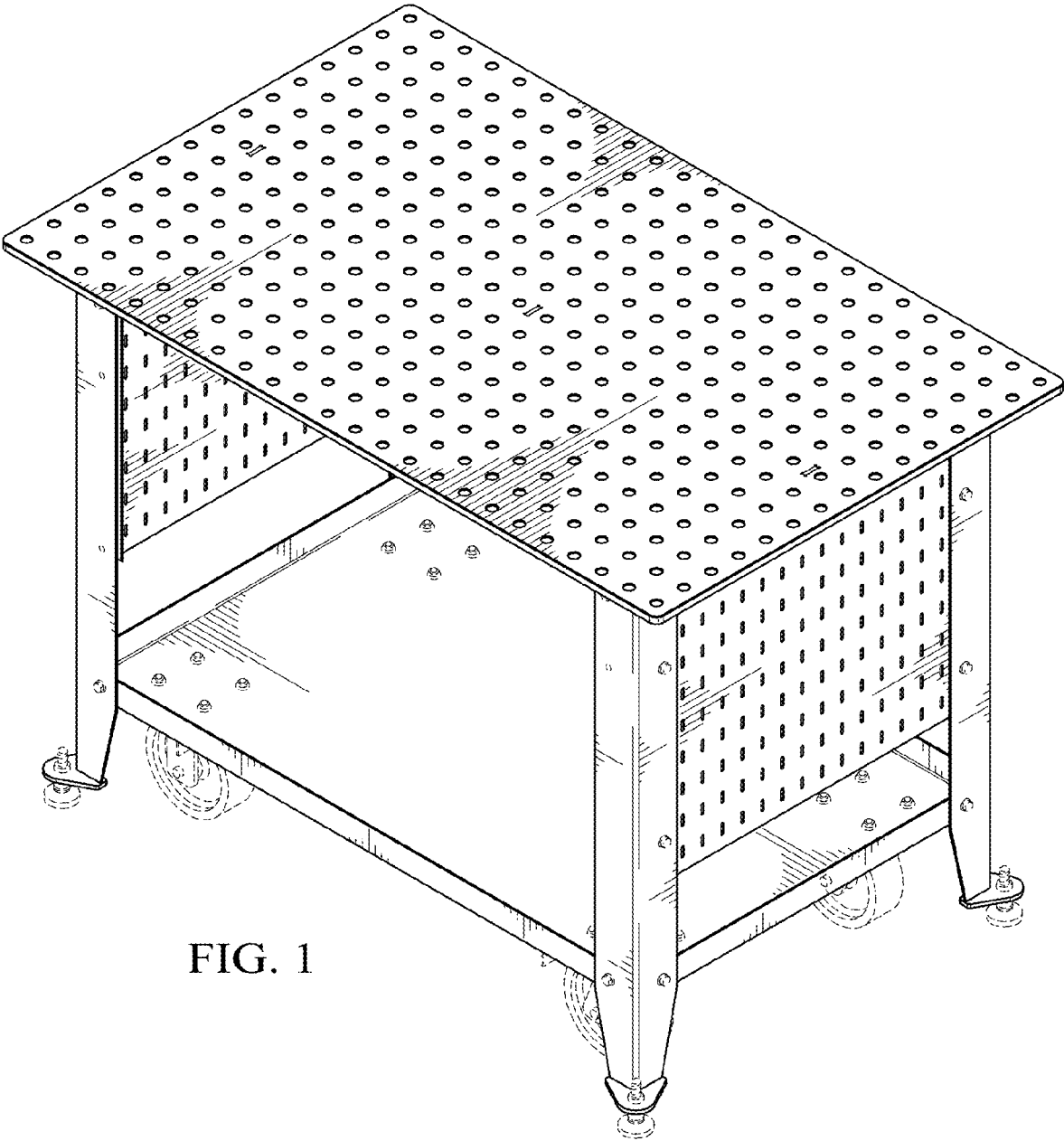
FIG. 7 is a bottom plan view of the weld cart shown in FIG. 1; and,

FIG. 8 is a front, bottom, right side isometric perspective view of the weld cart shown in FIG. 1.

The broken lines shown in the drawings depict portions of the weld cart that form no part of the claimed design.

1 Claim, 8 Drawing Sheets





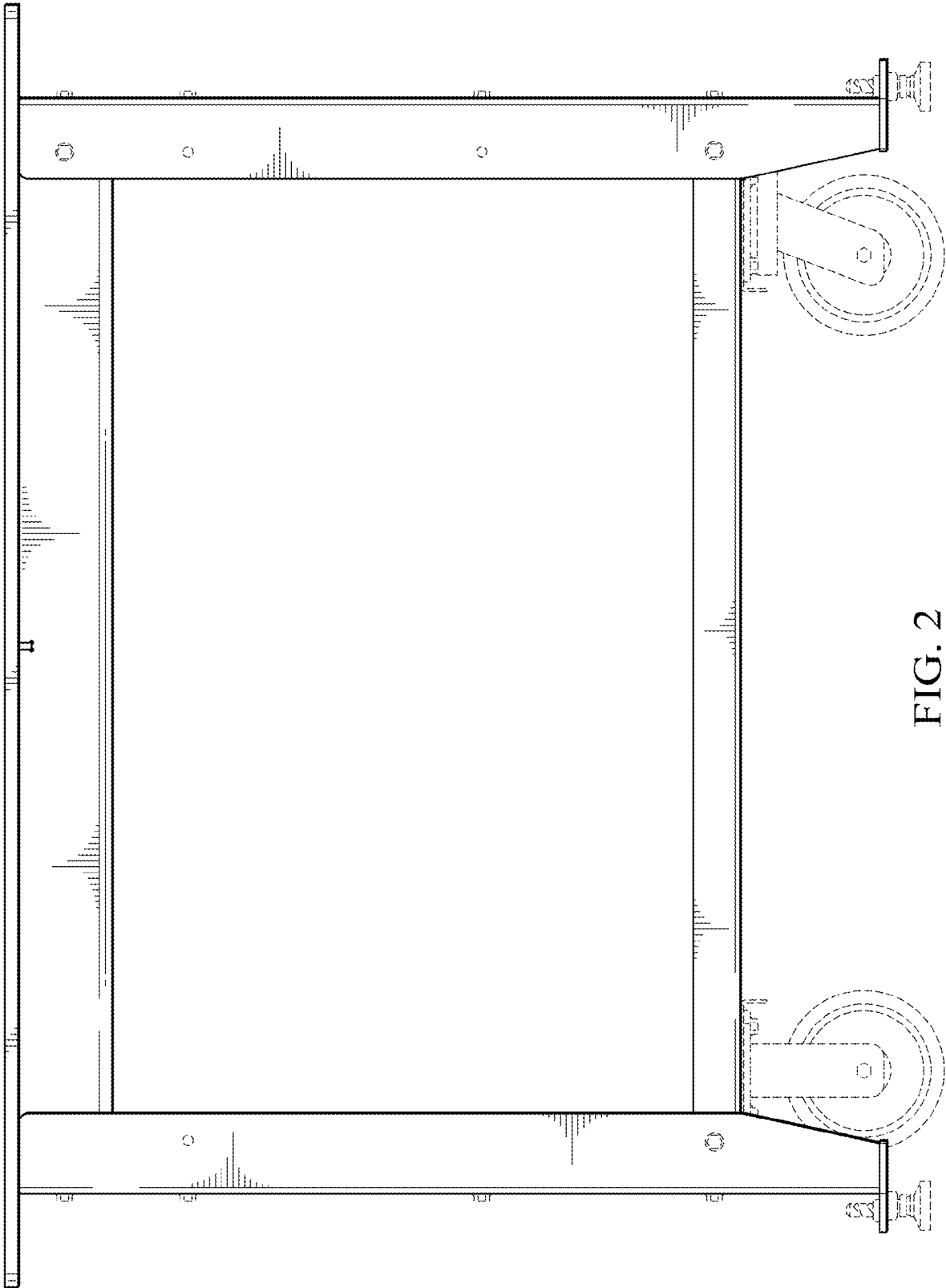


FIG. 2

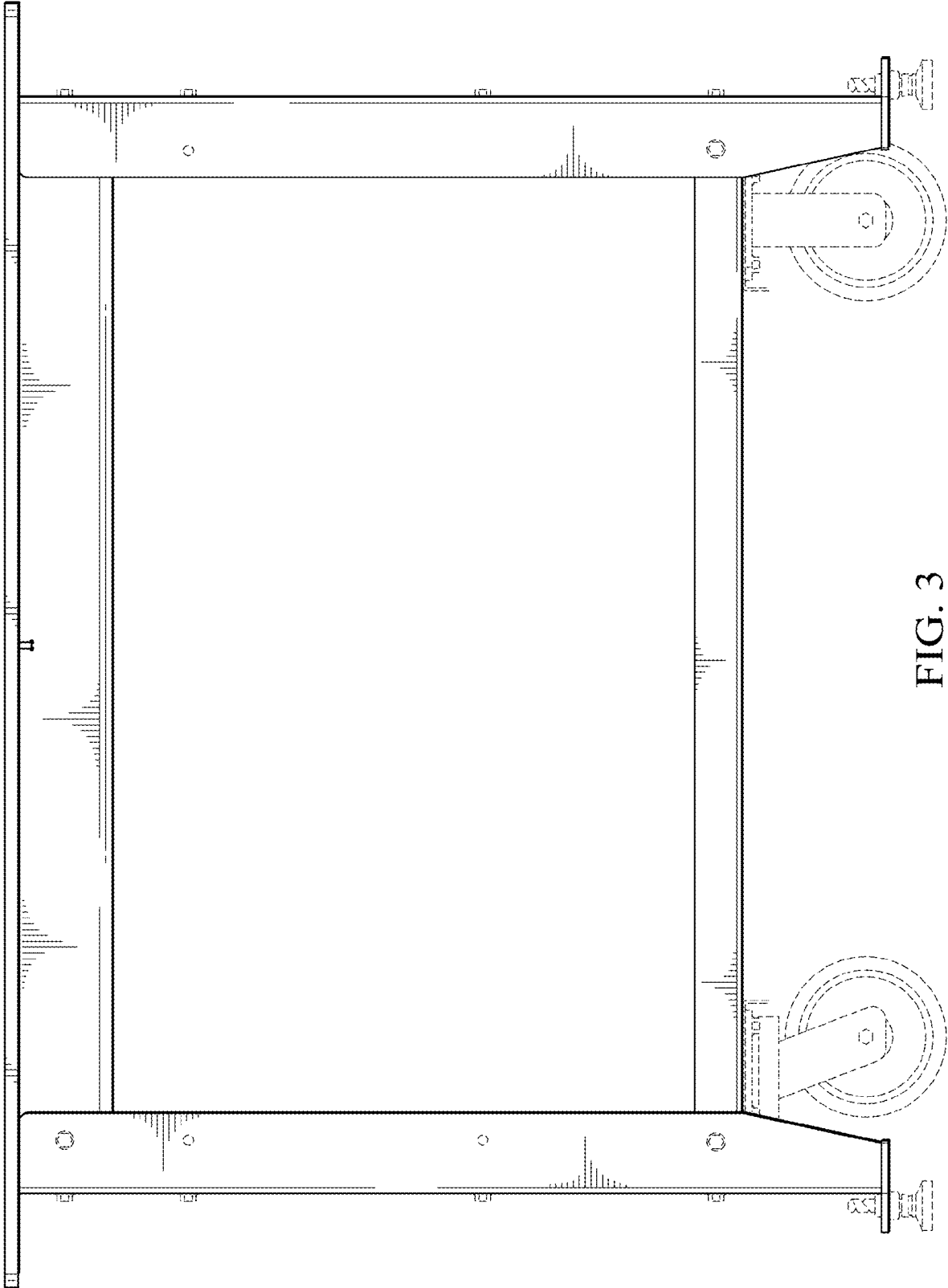


FIG. 3

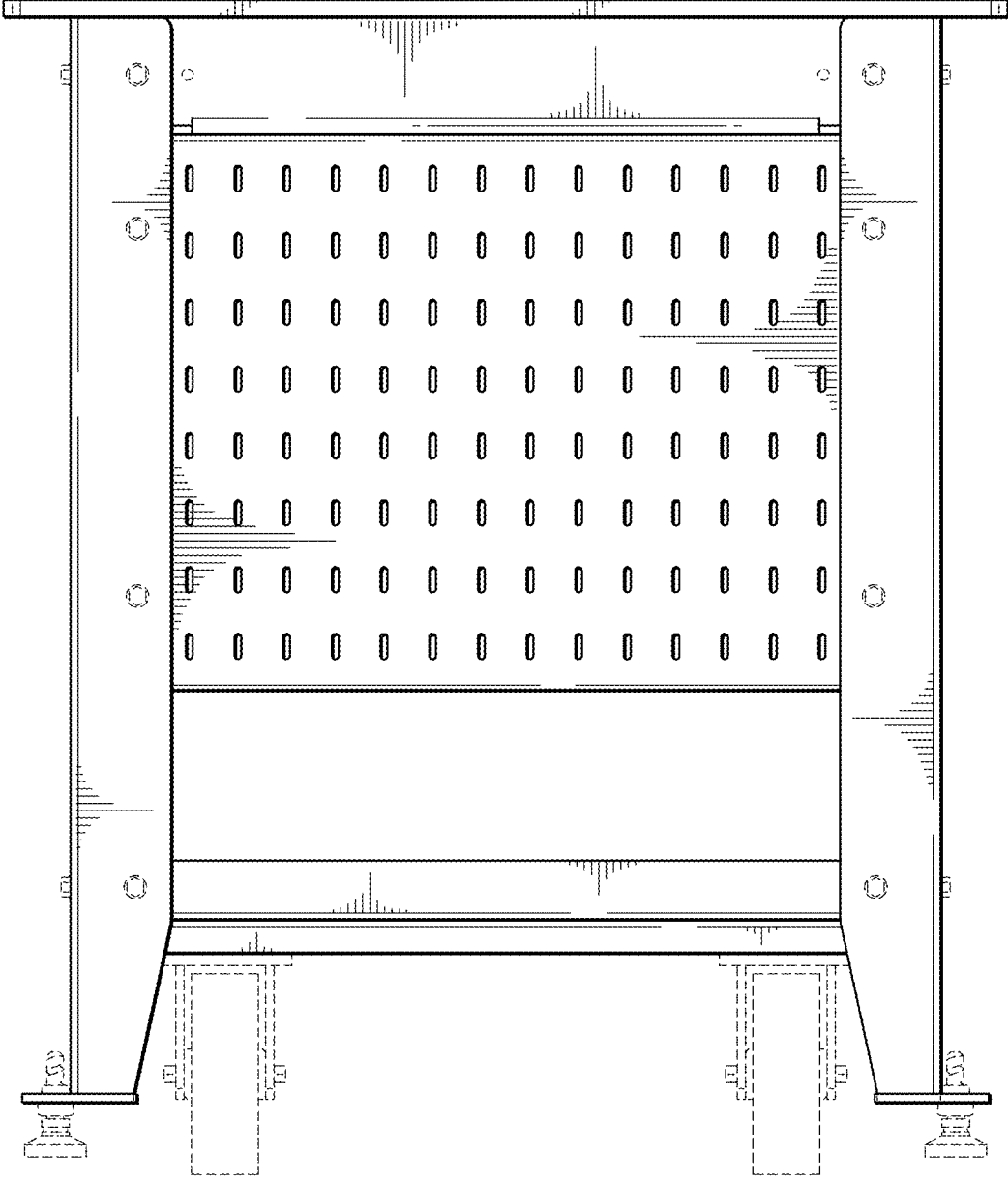


FIG. 4

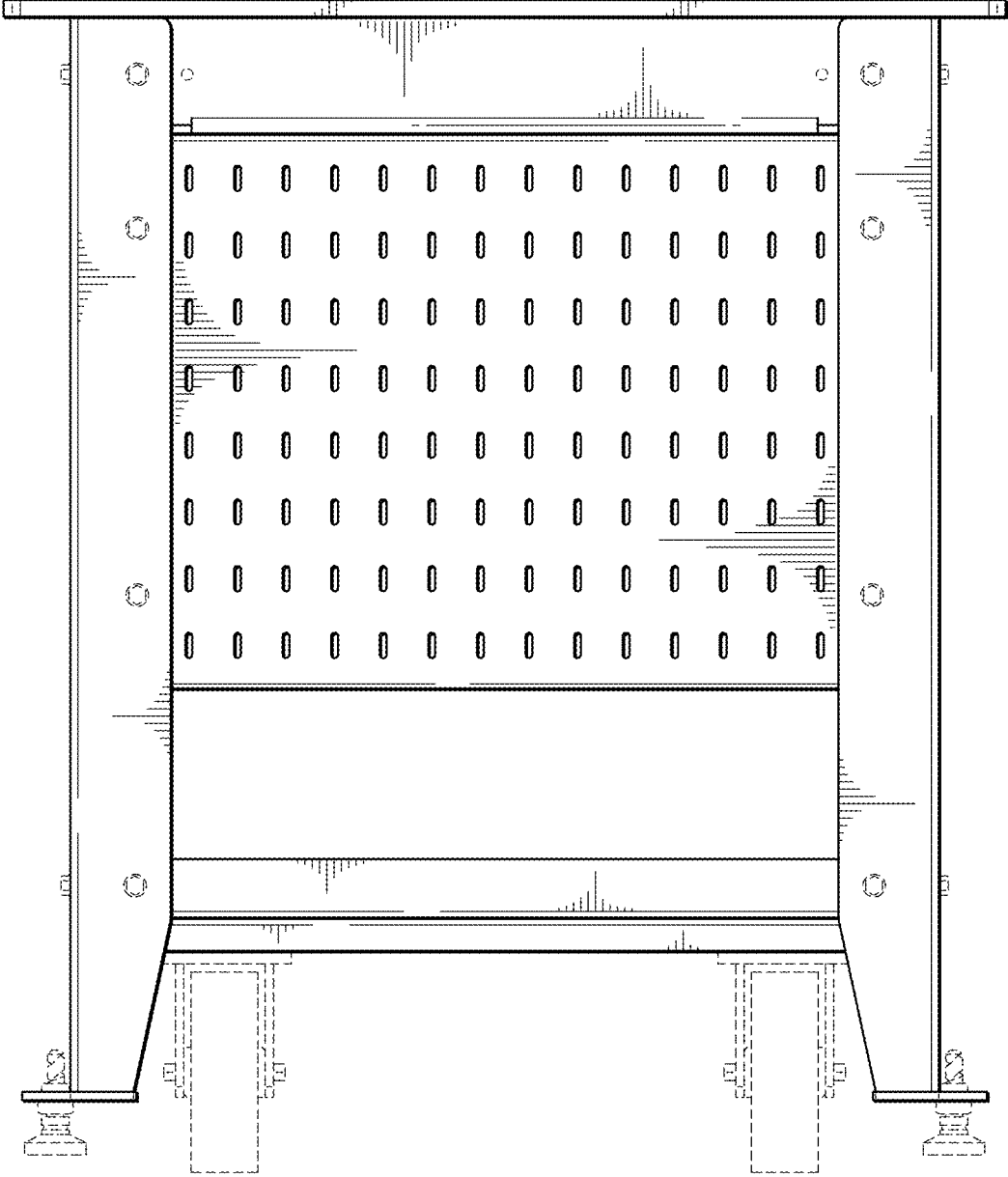


FIG. 5

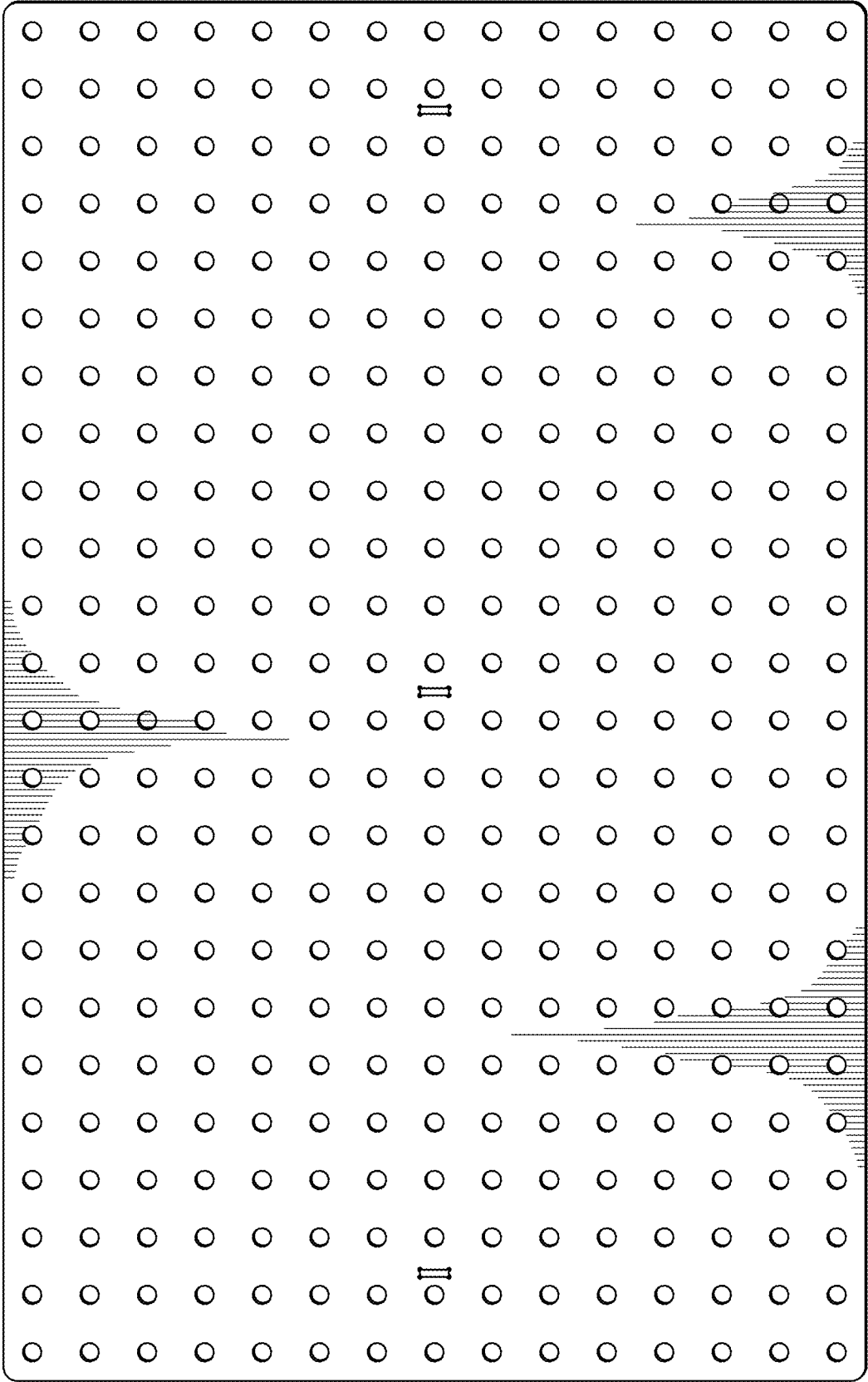


FIG. 6

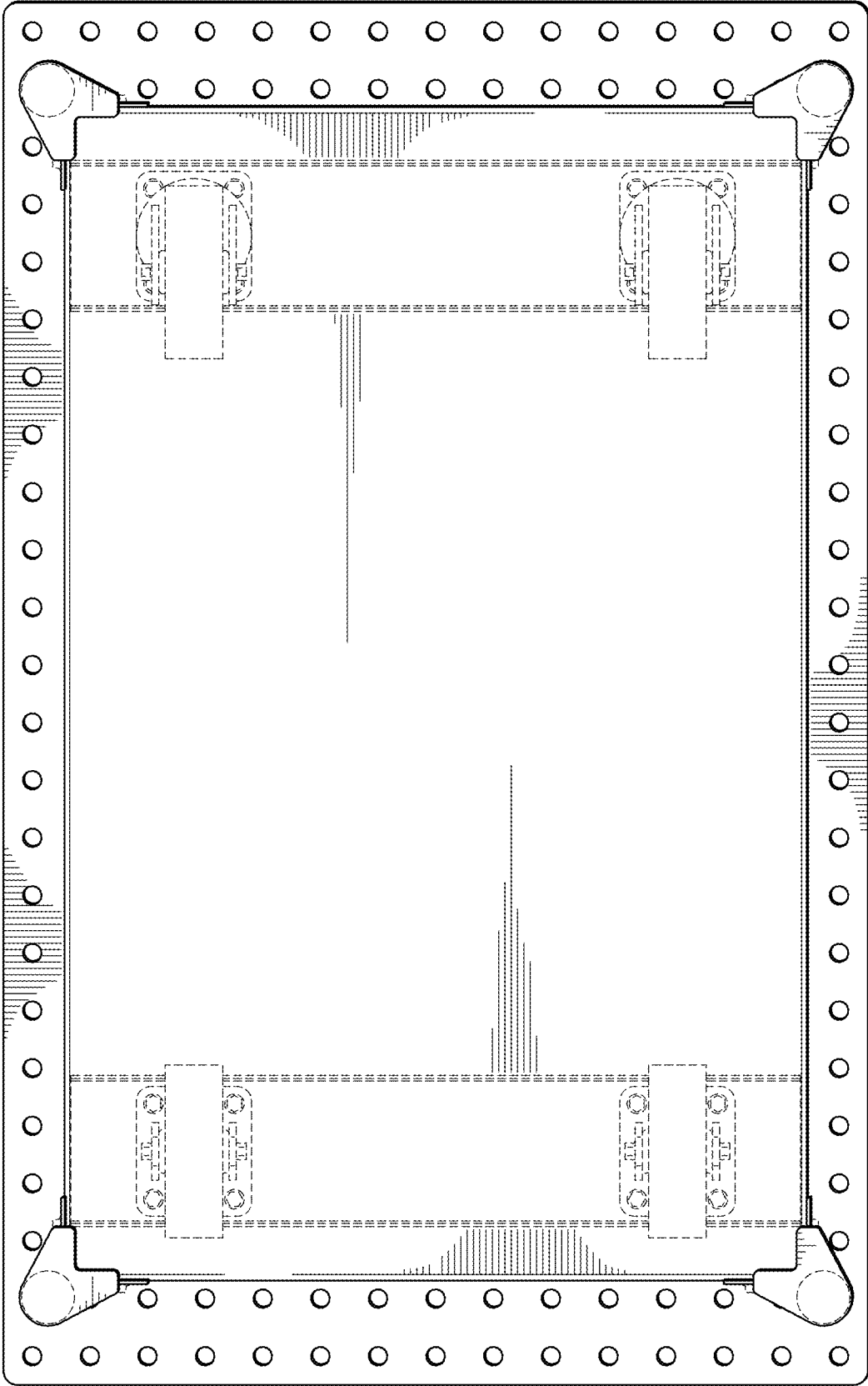


FIG. 7

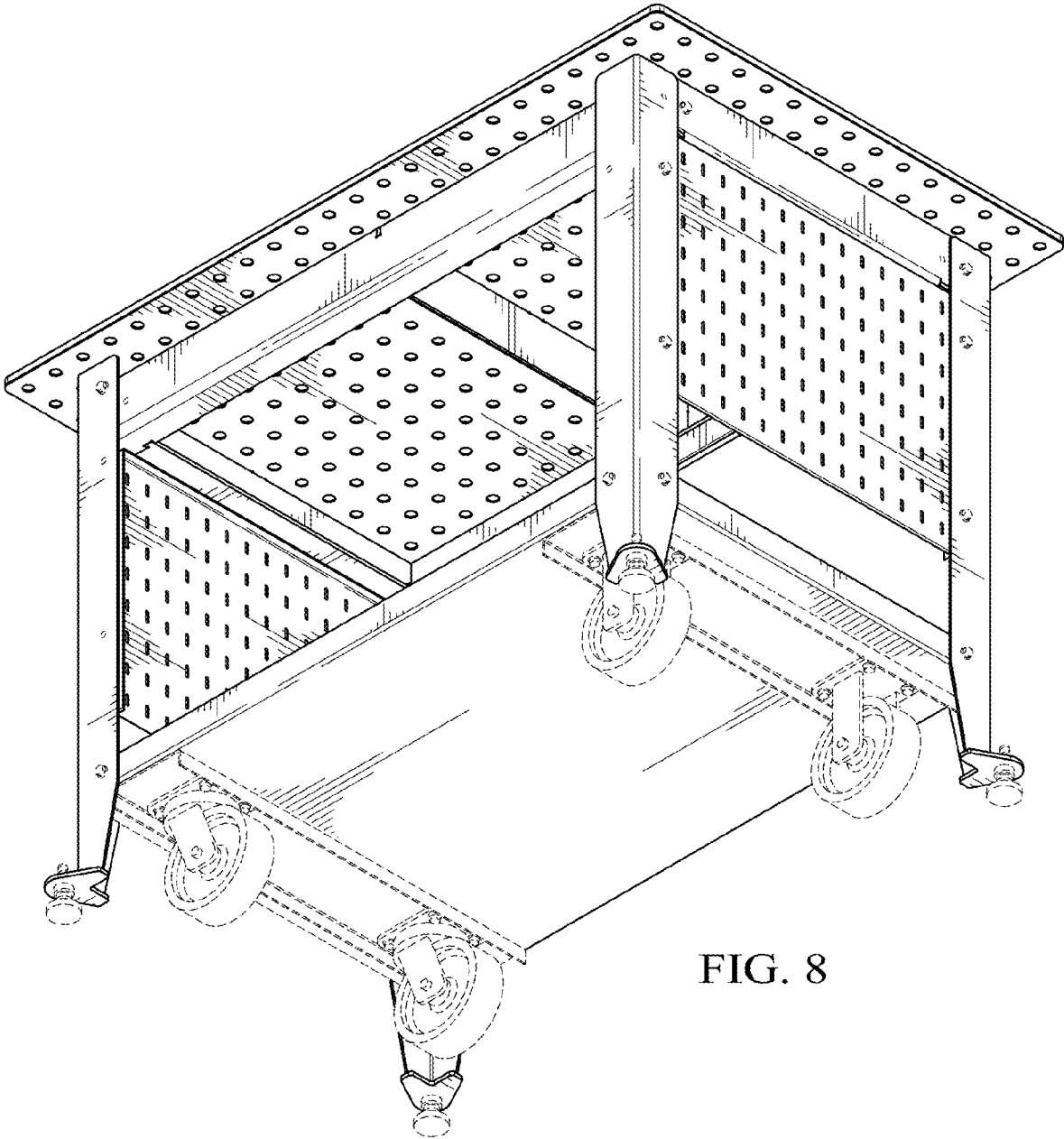


FIG. 8