



US00D861211S

(12) **United States Design Patent**
Windom et al.

(10) **Patent No.:** **US D861,211 S**
(45) **Date of Patent:** **** Sep. 24, 2019**

(54) **HEADLAMP**
(71) Applicant: **Coast Cutlery Co.**, Portland, OR (US)
(72) Inventors: **Gregory David Windom**, Portland, OR (US); **David Lewin**, Portland, OR (US)
(73) Assignee: **Coast Cutlery Co.**, Portland, OR (US)
(**) Term: **15 Years**
(21) Appl. No.: **29/547,898**
(22) Filed: **Dec. 8, 2015**
(51) **LOC (12) Cl.** **26-02**
(52) **U.S. Cl.**
USPC **D26/39**
(58) **Field of Classification Search**
USPC D26/39, 40, 37, 38, 44, 46, 41-42,
D26/48-49; 396/29; D16/200, 211;
2/422
CPC . A42B 3/04; A42B 3/044; F21L 15/14; F21L
11/00; B63C 9/20
See application file for complete search history.

7,377,665 B2 * 5/2008 Langenwalter A44B 11/005
362/103
7,577,345 B2 * 8/2009 Tei G03B 17/08
396/26
7,611,255 B1 * 11/2009 Lagassey A42B 1/244
362/103
7,699,485 B1 * 4/2010 Lagassey A41D 1/002
362/103
8,172,419 B1 * 5/2012 Gasparre F21L 4/005
362/103
8,370,967 B2 * 2/2013 Chen A42B 3/145
2/414
8,374,495 B2 * 2/2013 Yim G03B 17/02
348/81
D683,489 S * 5/2013 Lee D26/39
D707,868 S * 6/2014 Lee D26/39
D712,579 S * 9/2014 Cen D26/39
D715,846 S * 10/2014 Troxel D16/202
D715,982 S * 10/2014 Windom D26/39

(Continued)

Primary Examiner — Shannon W Morgan
Assistant Examiner — Altaira J Swangin
(74) *Attorney, Agent, or Firm* — Schwabe Williamson & Wyatt

(57) **CLAIM**

We claim the ornamental design for a headlamp, as shown and described.

DESCRIPTION

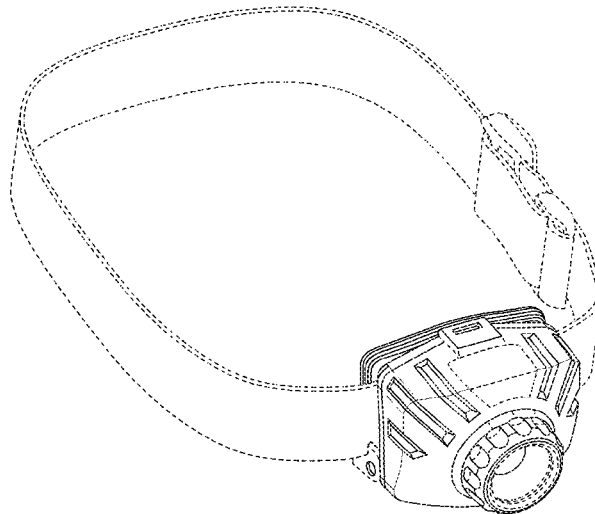
FIG. 1 is a perspective view of a headlamp, showing our new design;
FIG. 2 is a front view thereof;
FIG. 3 is a back view thereof;
FIG. 4 is a right view thereof;
FIG. 5 is a left view thereof;
FIG. 6 is a top view thereof; and,
FIG. 7 is a bottom view thereof.
The dashed lines are included for illustrating portions of the headlamp which form no part of the claimed design.

1 Claim, 7 Drawing Sheets

(56) **References Cited**

U.S. PATENT DOCUMENTS

D208,423 S * 8/1967 Ota D10/114.1
3,906,216 A * 9/1975 Eriksson F21L 15/14
24/115 H
D263,651 S * 4/1982 Meo D26/38
4,400,763 A * 8/1983 Kribs F21L 11/00
362/103
5,255,168 A * 10/1993 Stevens F21L 4/04
362/103
D492,052 S * 6/2004 Schnell D26/39
D503,817 S * 4/2005 Shiu D26/39
D504,695 S * 5/2005 Shimobayashi D16/202
D520,162 S * 5/2006 Shiu D26/39
D525,734 S * 7/2006 Shiao D26/39
D556,927 S * 12/2007 Shiu D26/39



(56)

References Cited

U.S. PATENT DOCUMENTS

D724,248	S *	3/2015	Brands	D26/39	D844,201	S *	3/2019	Khubani	D26/40
D729,297	S *	5/2015	Ikegame	D16/202	D844,868	S *	4/2019	DeBrunner	D26/39
9,068,728	B1 *	6/2015	Lee	F21V 14/085	D844,869	S *	4/2019	Green	D26/39
D747,387	S *	1/2016	Swen	D16/211	D848,042	S *	5/2019	Feng	D26/39
D750,823	S *	3/2016	Sharrah	D26/39	D848,510	S *	5/2019	Kamei	D16/218
D762,899	S *	8/2016	Green	D26/39	2003/0087423	A1 *	5/2003	Haywood	B01F 1/0033
D763,941	S *	8/2016	Smith	D16/200						435/270
D788,339	S *	5/2017	Koshiba	D26/39	2005/0128735	A1 *	6/2005	Atkins	A61B 3/12
9,693,425	B2 *	6/2017	Feustel	F21L 4/00						362/105
D799,085	S *	10/2017	Huang	D26/39	2007/0019948	A1 *	1/2007	Terada	G03B 17/04
D809,685	S *	2/2018	Green	D26/39						396/349
9,885,471	B2 *	2/2018	Dirsa	A42B 3/04	2008/0316734	A1 *	12/2008	Spartano	F21L 14/00
D812,178	S *	3/2018	Galli	D22/108						362/105
D813,432	S *	3/2018	Koshiba	D26/39	2009/0208198	A1 *	8/2009	Khuntia	G03B 15/06
D814,083	S *	3/2018	Green	D26/39						396/174
9,920,876	B2 *	3/2018	Prugue	F16M 13/022	2013/0258686	A1 *	10/2013	Ford	F21V 21/0885
9,958,667	B2 *	5/2018	DiCarlo	A42B 3/042						362/396
D824,063	S *	7/2018	Hutchens	D26/60	2013/0301242	A1 *	11/2013	Sharrah	F21V 21/084
D830,601	S *	10/2018	Petzl	D26/39						362/105
D835,172	S *	12/2018	Fujita	D16/219	2014/0035459	A1 *	2/2014	Windom	H05B 33/0842
D836,810	S *	12/2018	DeBrunner	D26/39						315/33
D839,944	S *	2/2019	Petty	D16/218	2014/0362561	A1 *	12/2014	Faircloth	G02C 11/04
D843,035	S *	3/2019	Pontano	D26/39						362/103
D843,036	S *	3/2019	Li	D26/39	2016/0146443	A1 *	5/2016	Steiner	F21V 23/001
D843,037	S *	3/2019	Li	D26/39						362/105
D843,622	S *	3/2019	Karl, IV	D26/39	2016/0269667	A1 *	9/2016	Ono	G03B 17/00
						2018/0335599	A1 *	11/2018	McCreight	G02B 7/02
						2019/0127006	A1 *	5/2019	Wyers	B62J 11/00

* cited by examiner

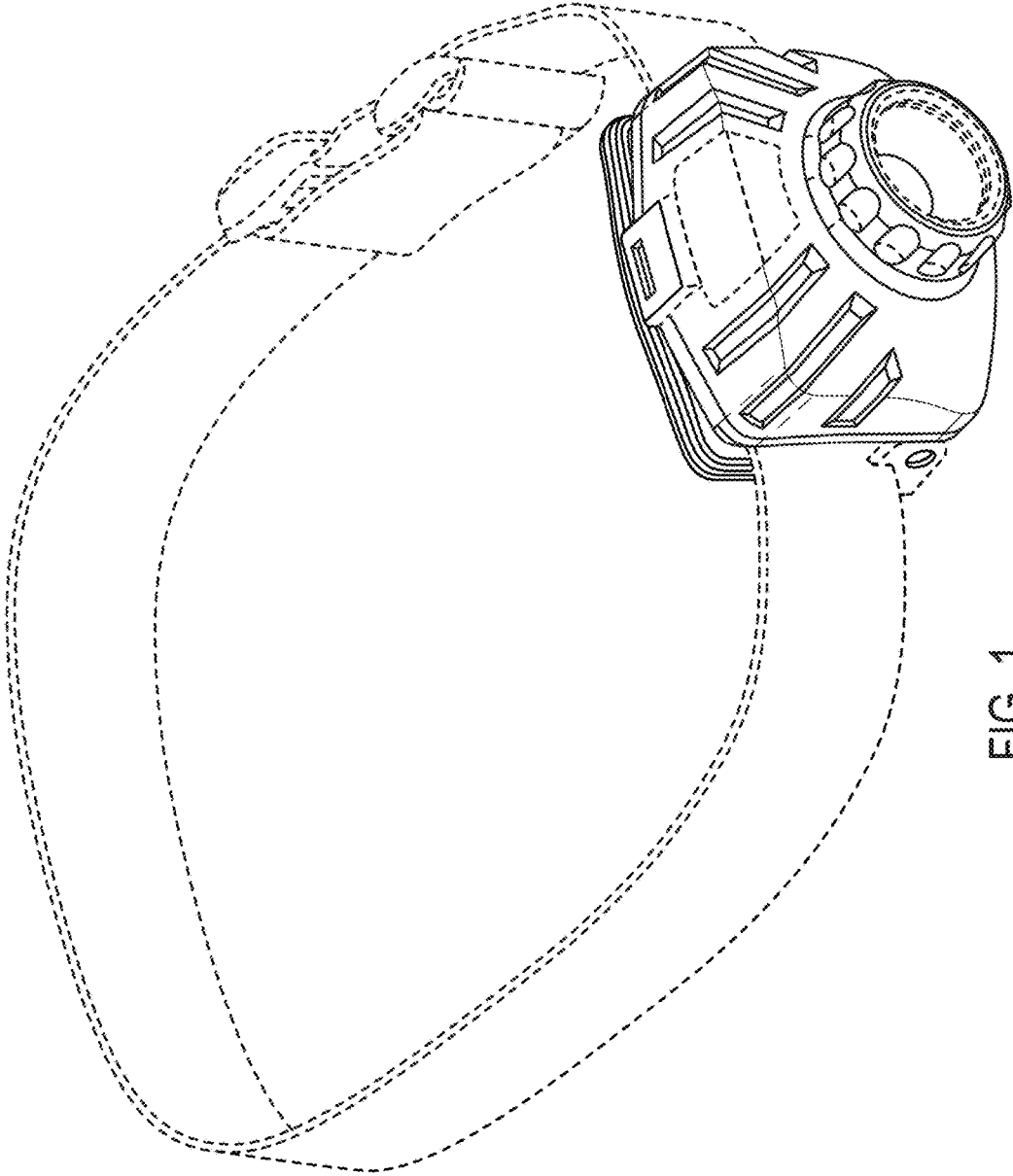


FIG. 1

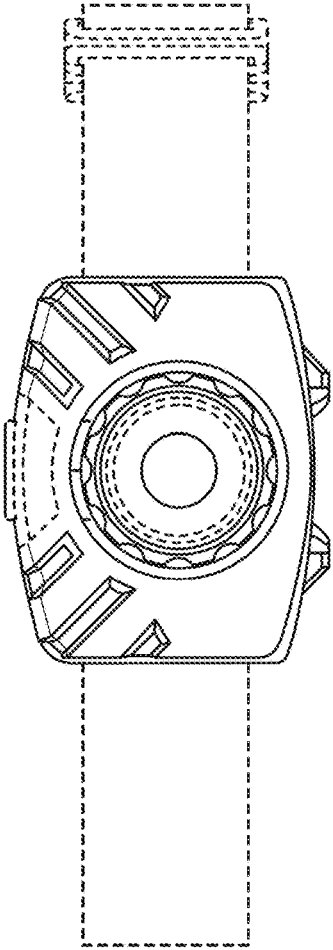


FIG. 2

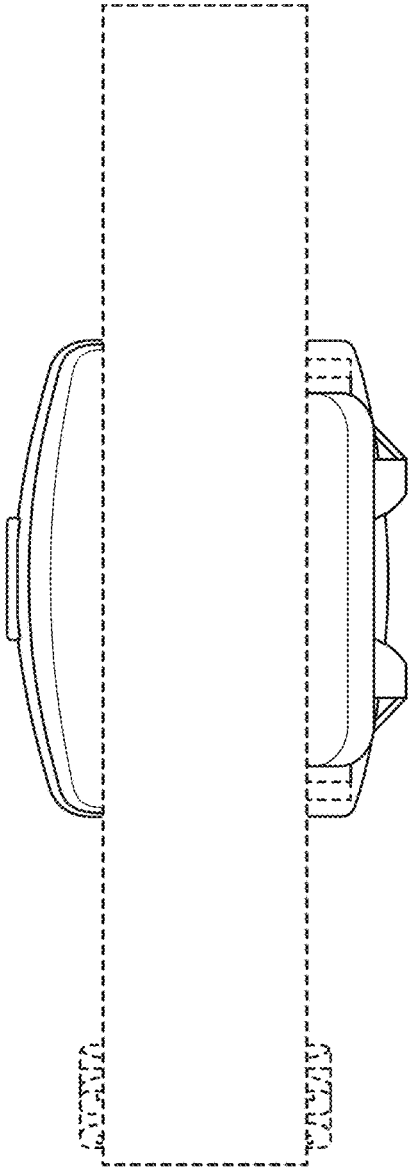


FIG. 3

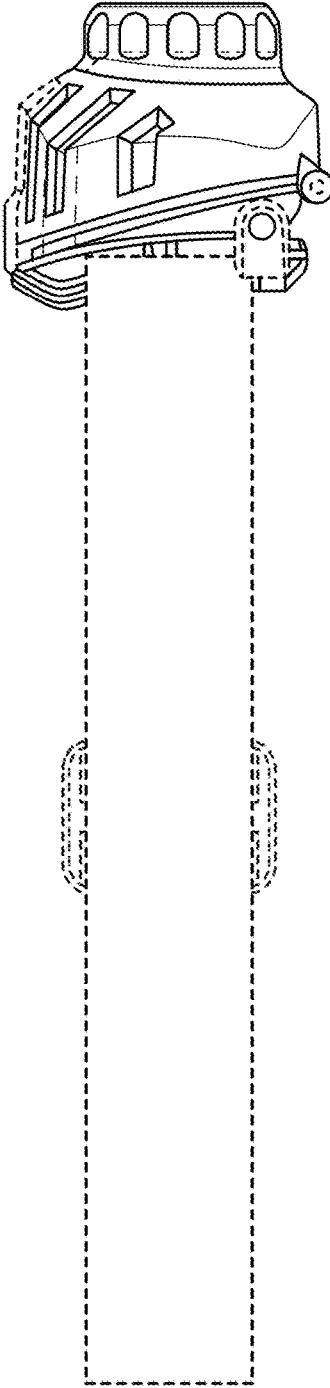


FIG. 4

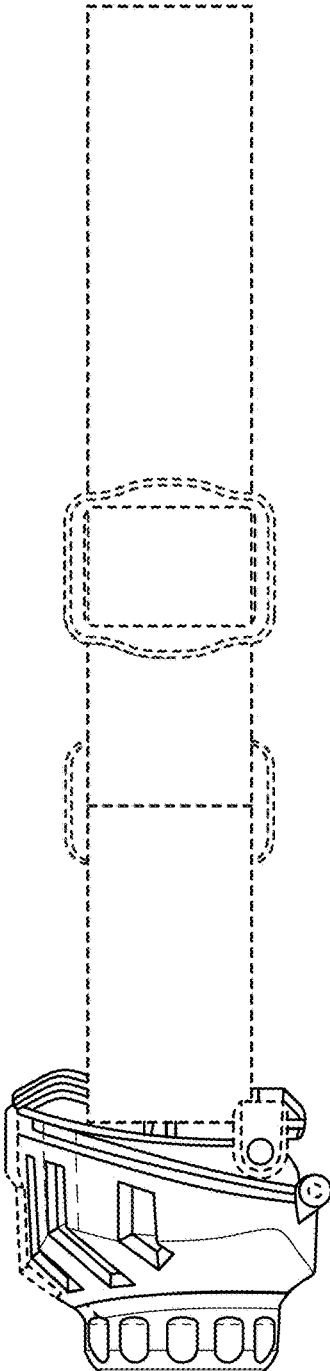


FIG. 5

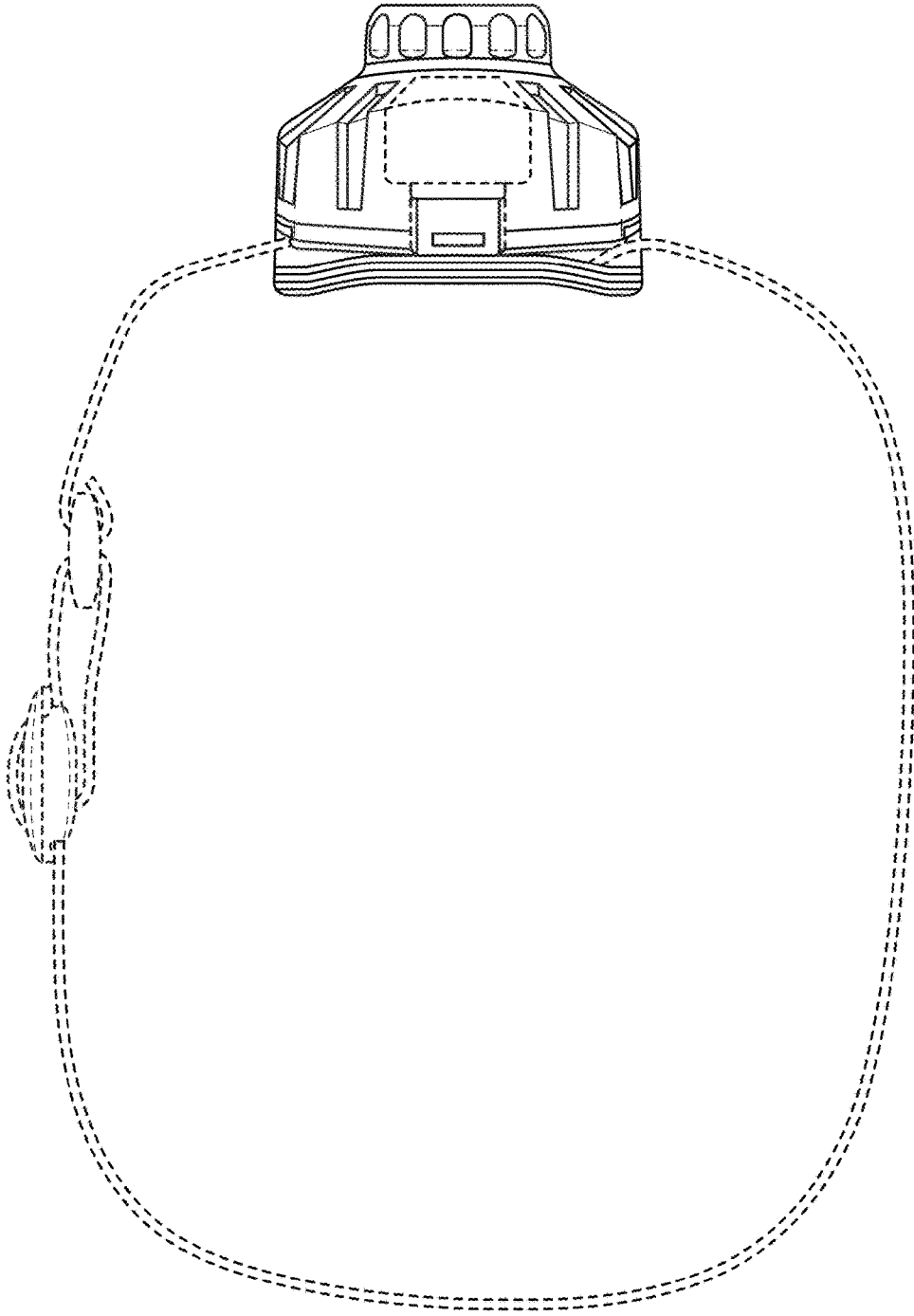


FIG. 6

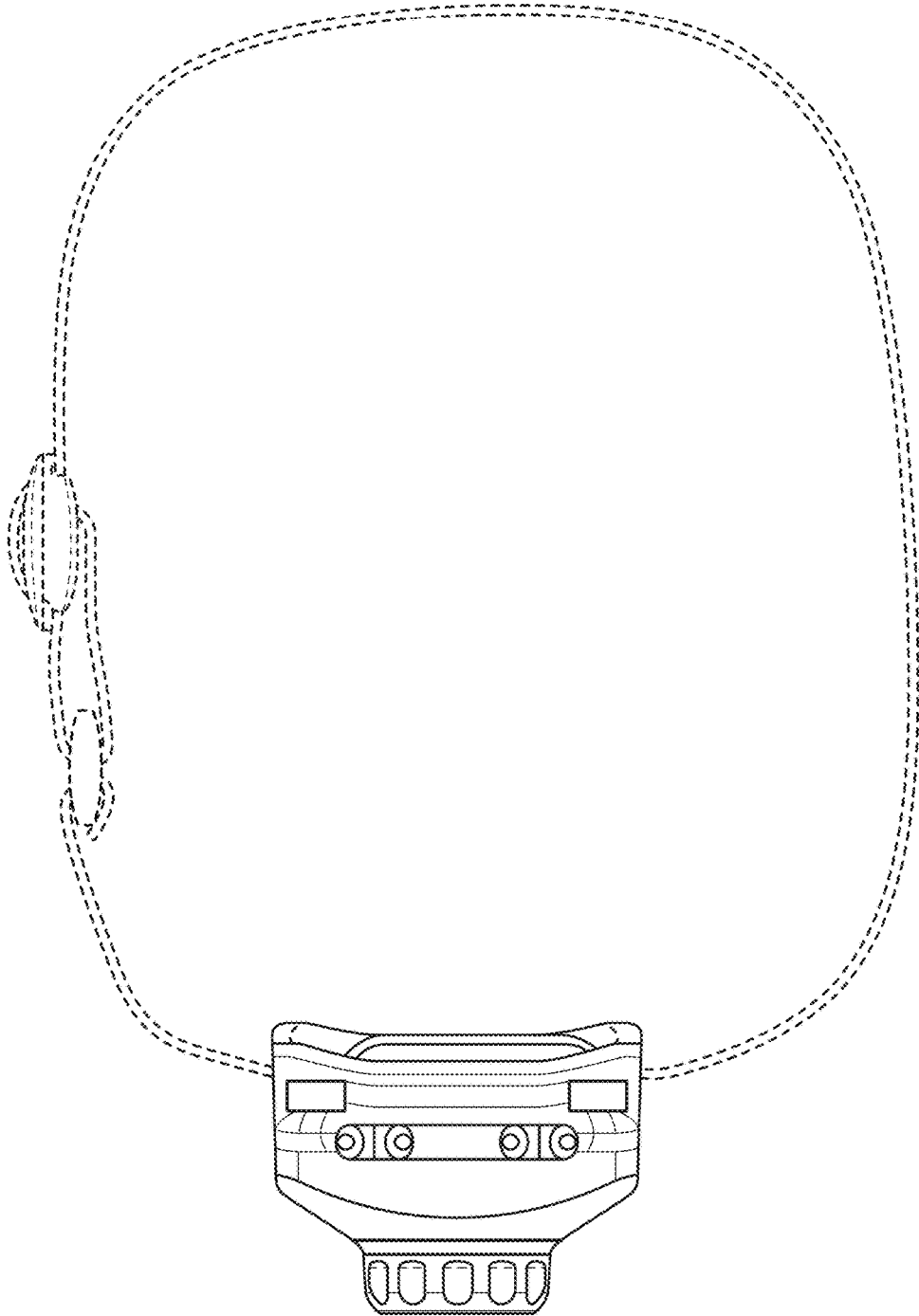


FIG. 7