



US00D367379S

# United States Patent [19]

[11] Patent Number: **Des. 367,379**

Nicholson et al.

[45] Date of Patent: **\*\*Feb. 27, 1996**

[54] **MULTI-PURPOSE TABLE**

[75] Inventors: **James H. Nicholson**, New Castle;  
**Ormond G. O'Brien**, Rescue, both of Calif.

[73] Assignee: **Telic Systems, Inc.**, New Castle, Calif.

[\*\*] Term: **14 Years**

[21] Appl. No.: **33,650**

[22] Filed: **Jan. 17, 1995**

[52] U.S. Cl. .... **D6/429**; D6/420; D6/430

[58] Field of Search ..... D6/480-489, 495,  
D6/497, 429, 430; 108/144, 116, 130, 131,  
160, 115; 248/188, 188.1, 188.6, 166

[56] **References Cited**

**U.S. PATENT DOCUMENTS**

D. 194,573	2/1963	Ovendale	.....	D6/429 X
D. 277,056	1/1985	Nicholson	.	
D. 323,436	1/1992	Harrison	.....	D6/429
2,425,263	8/1947	Niver	.....	108/144
3,436,092	4/1969	Werner	.....	108/115
4,572,081	2/1986	Copeland	.....	108/11

*Primary Examiner*—Janice E. Seeger  
*Attorney, Agent, or Firm*—Lothrop & West

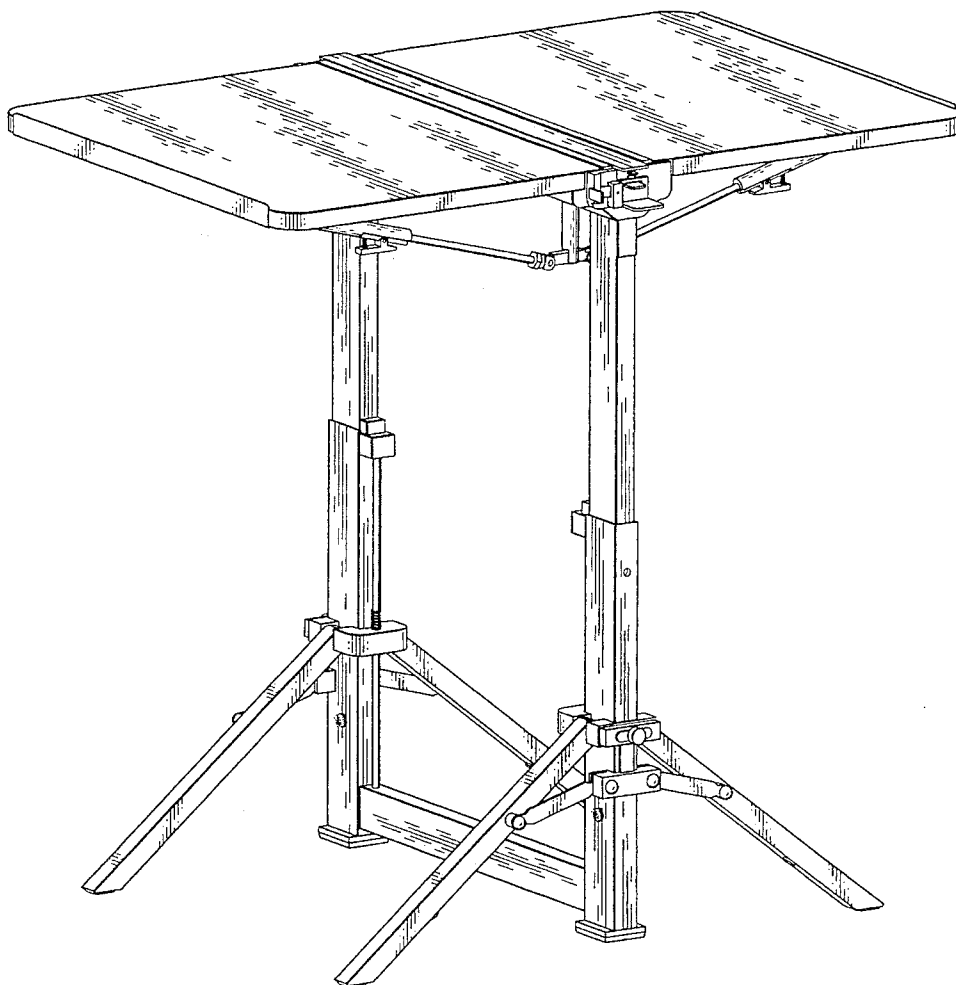
[57] **CLAIM**

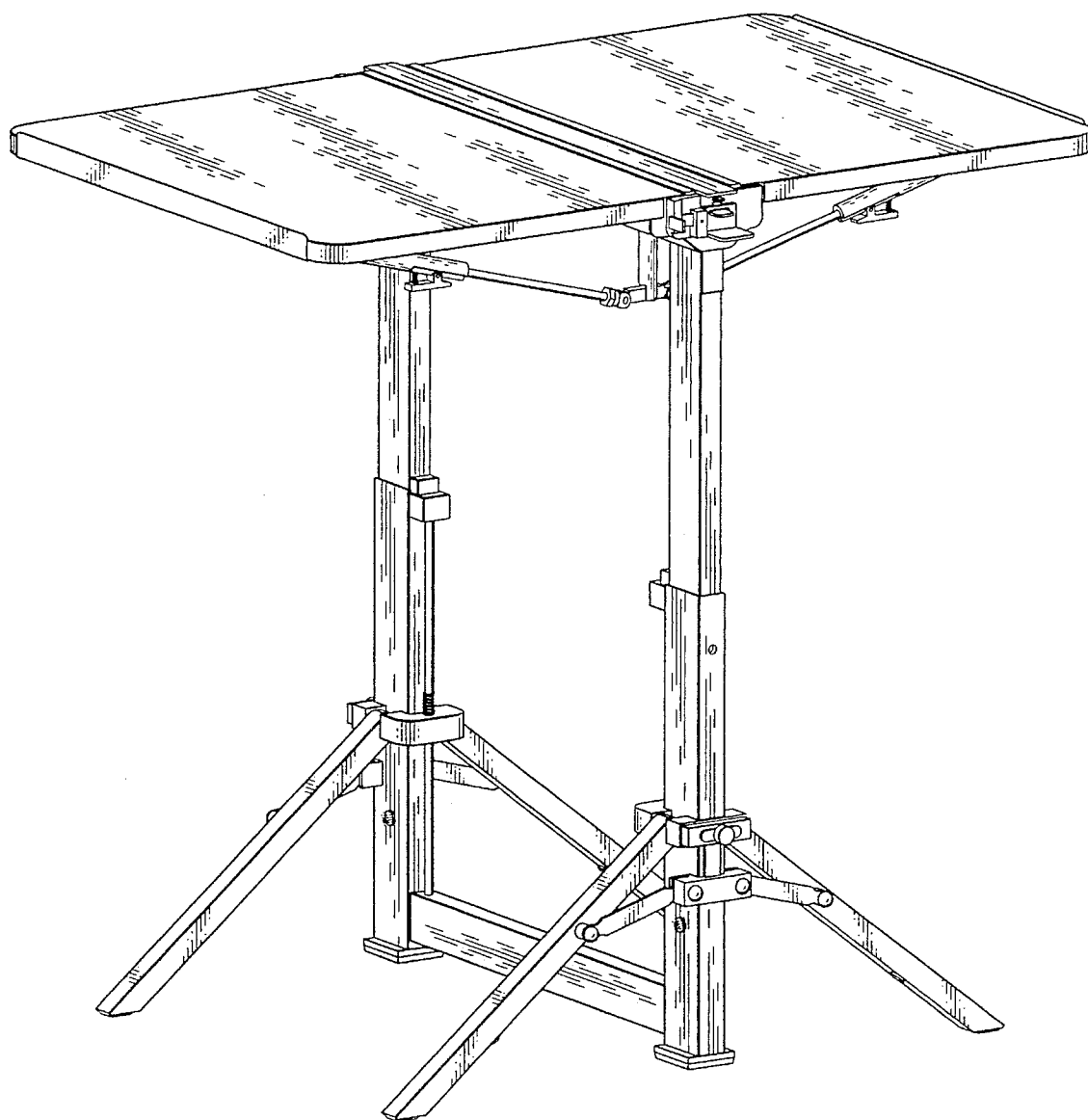
The ornamental design for a multi-purpose table, as shown and described.

**DESCRIPTION**

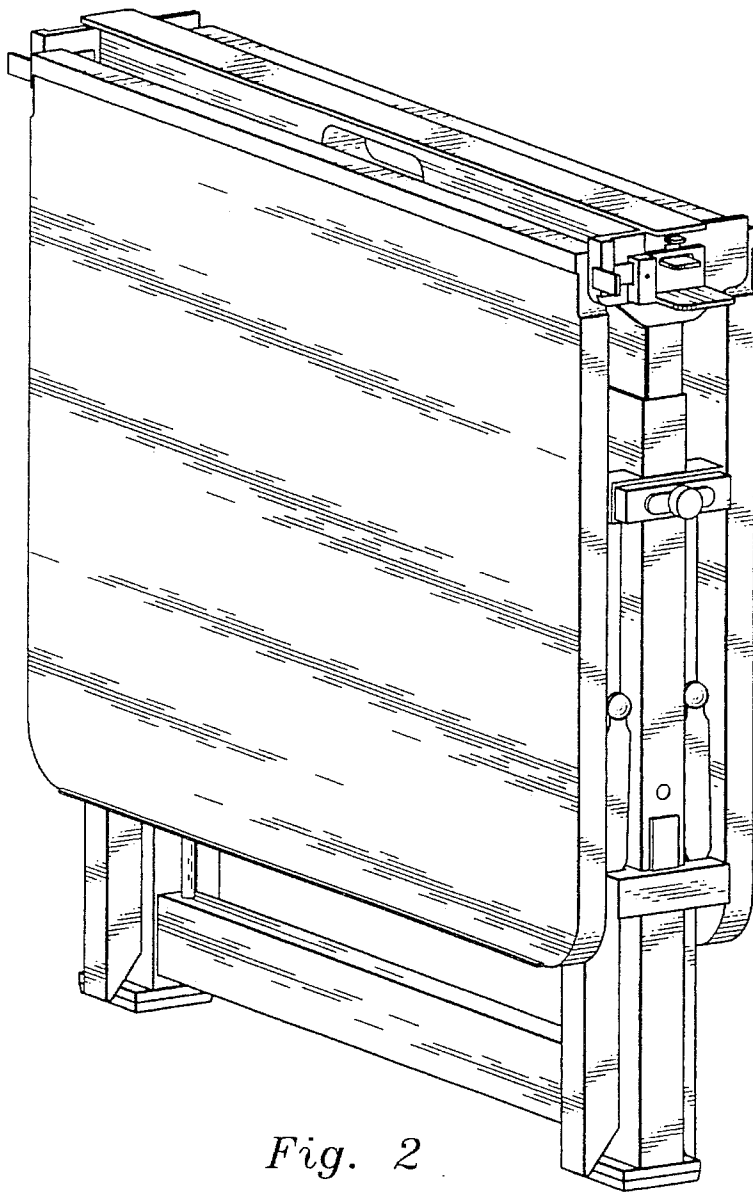
FIG. 1 is a perspective of a multi-purpose table in unfolded position, showing our new design;  
 FIG. 2 is a perspective thereof in folded position;  
 FIG. 3 is a right side elevation thereof in folded position, the left side being a mirror image;  
 FIG. 4 is a front elevation thereof in unfolded position;  
 FIG. 5 is a top plan thereof in unfolded position;  
 FIG. 6 is a right side elevation thereof in unfolded position, the left side being a mirror image;  
 FIG. 7 is a bottom plan thereof in unfolded position;  
 FIG. 8 is a rear elevation thereof in unfolded position;  
 FIG. 9 is a view similar to that of FIG. 6 but with one of the table panels in upwardly inclined attitude; and,  
 FIG. 10 is similar to FIG. 9 but with the panel in vertical attitude.

**1 Claim, 6 Drawing Sheets**

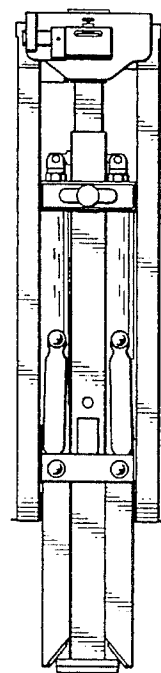




*Fig. 1*



*Fig. 2*



*Fig. 3*

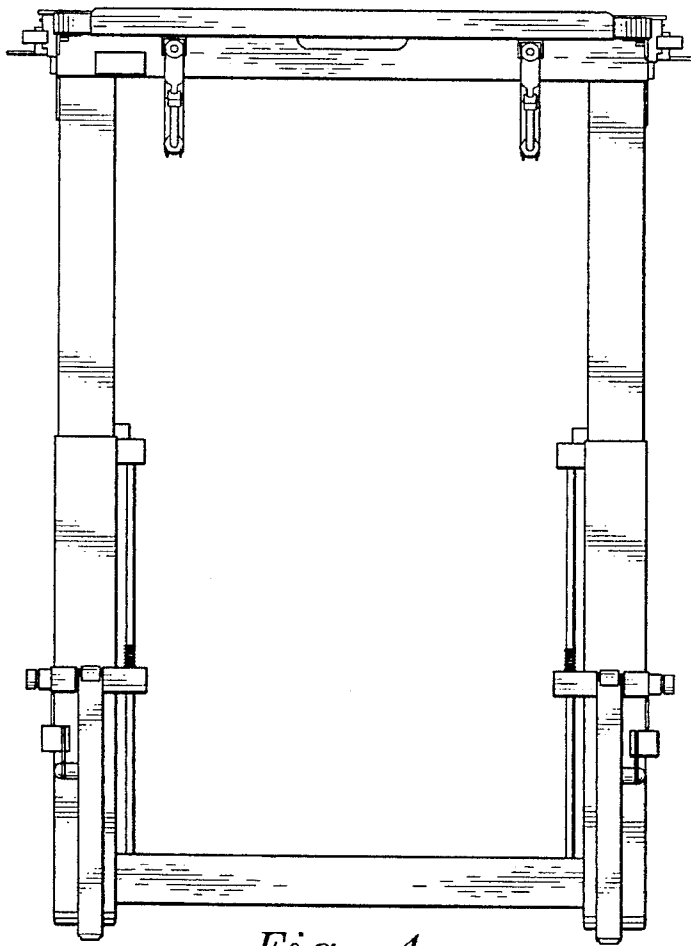


Fig. 4

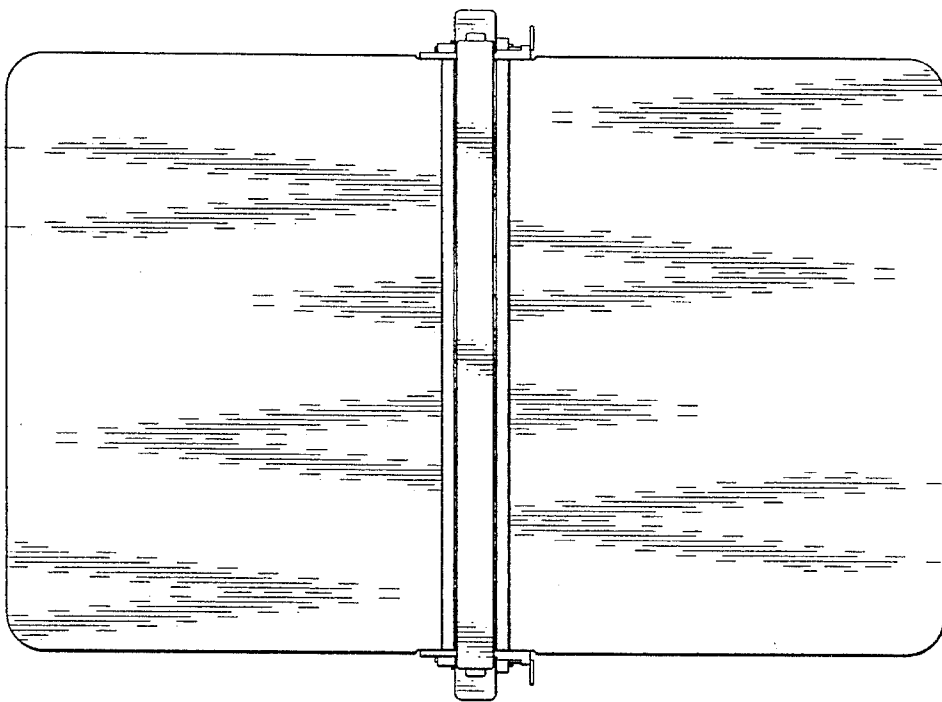
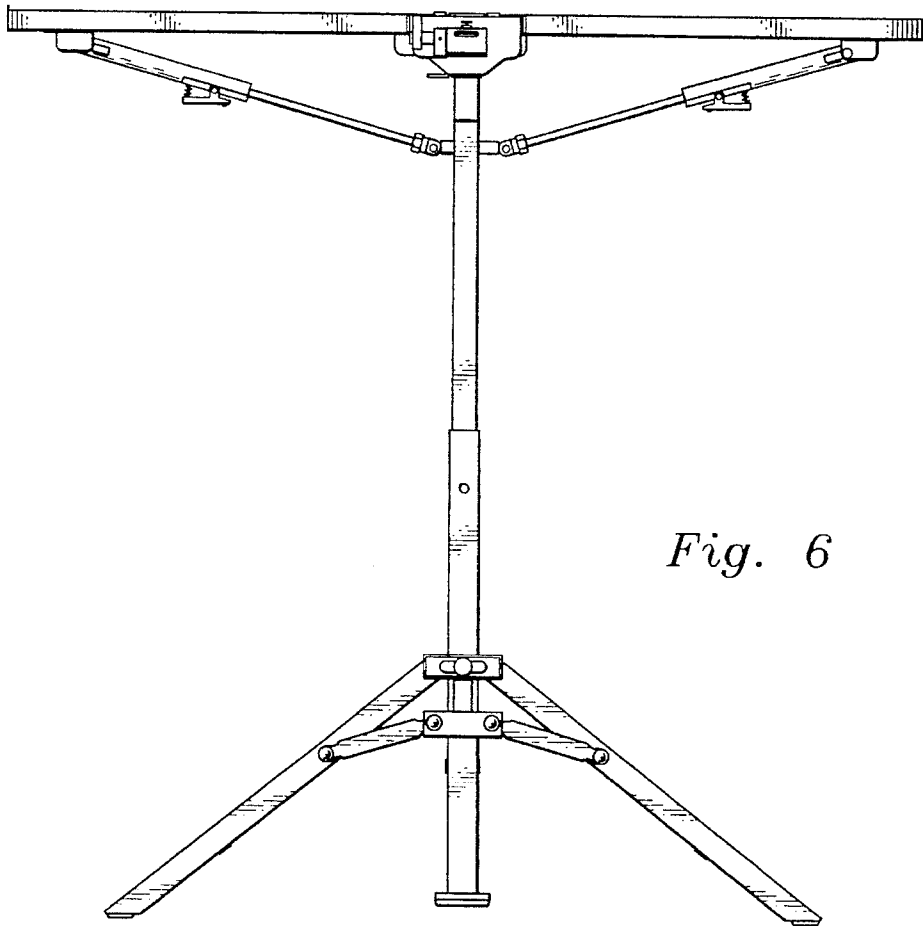
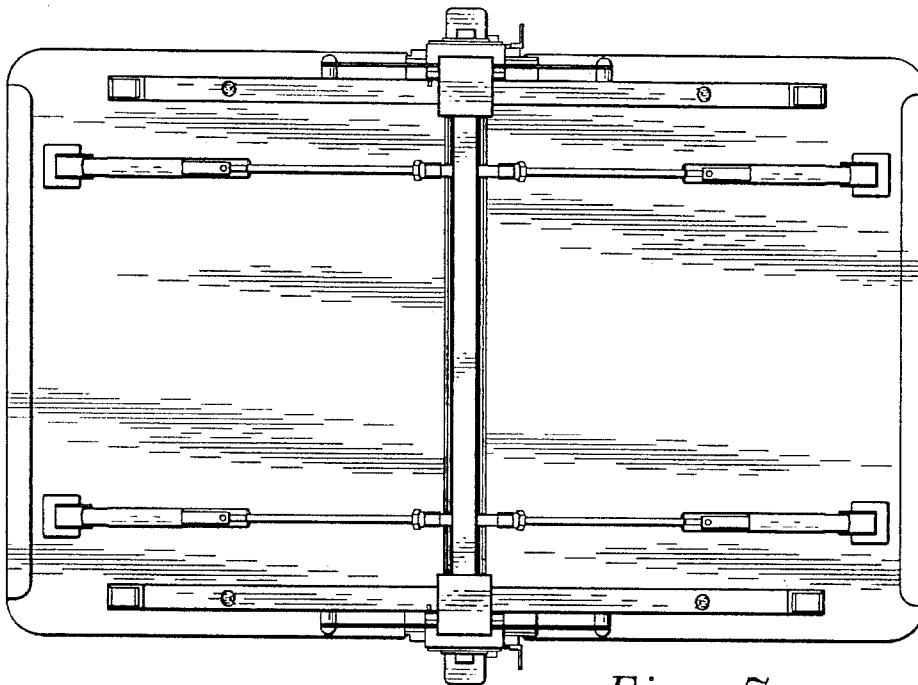


Fig. 5



*Fig. 6*



*Fig. 7*

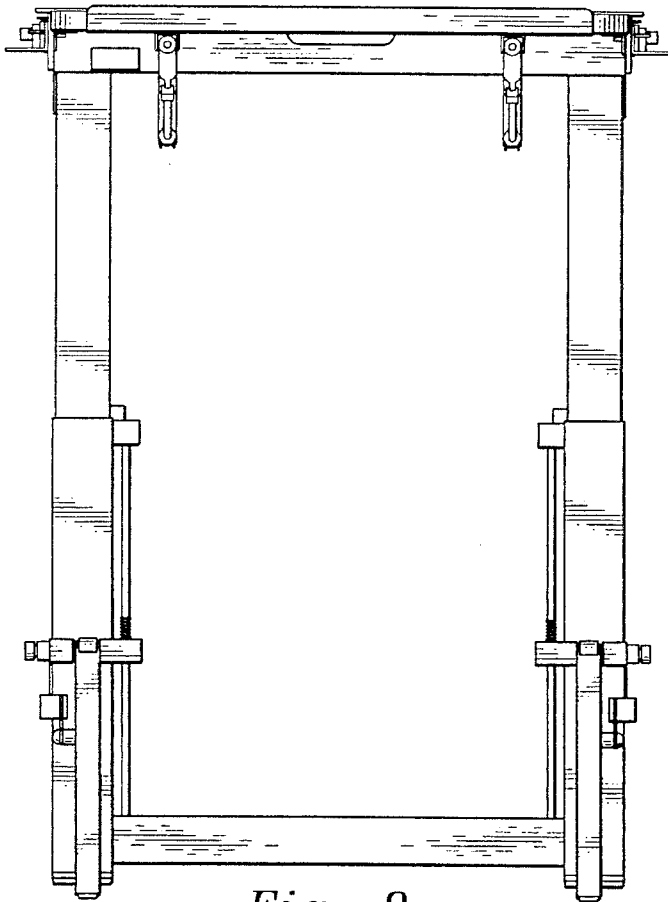


Fig. 8

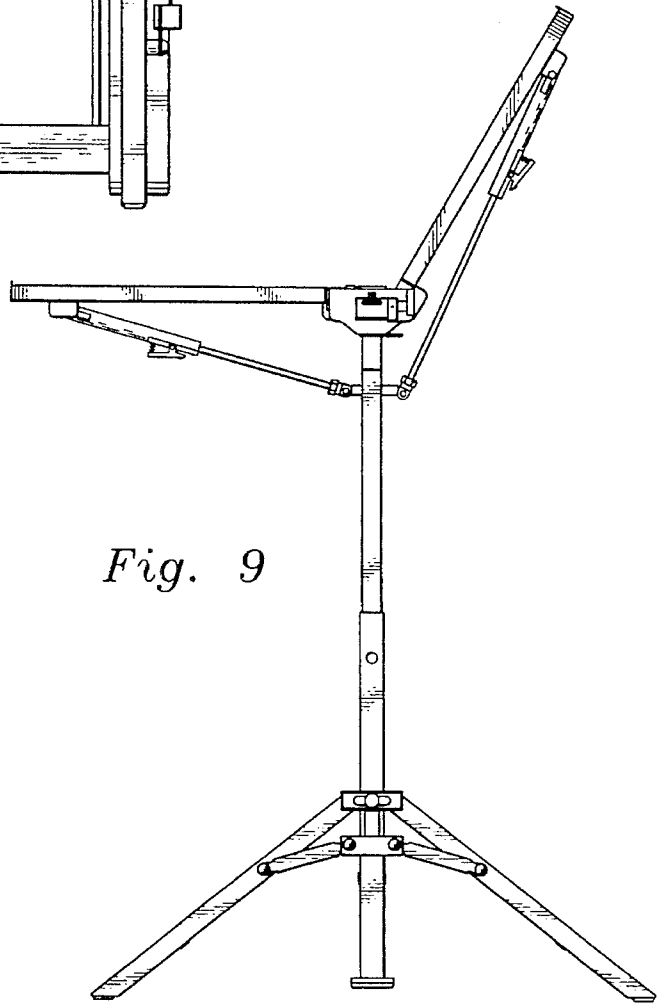
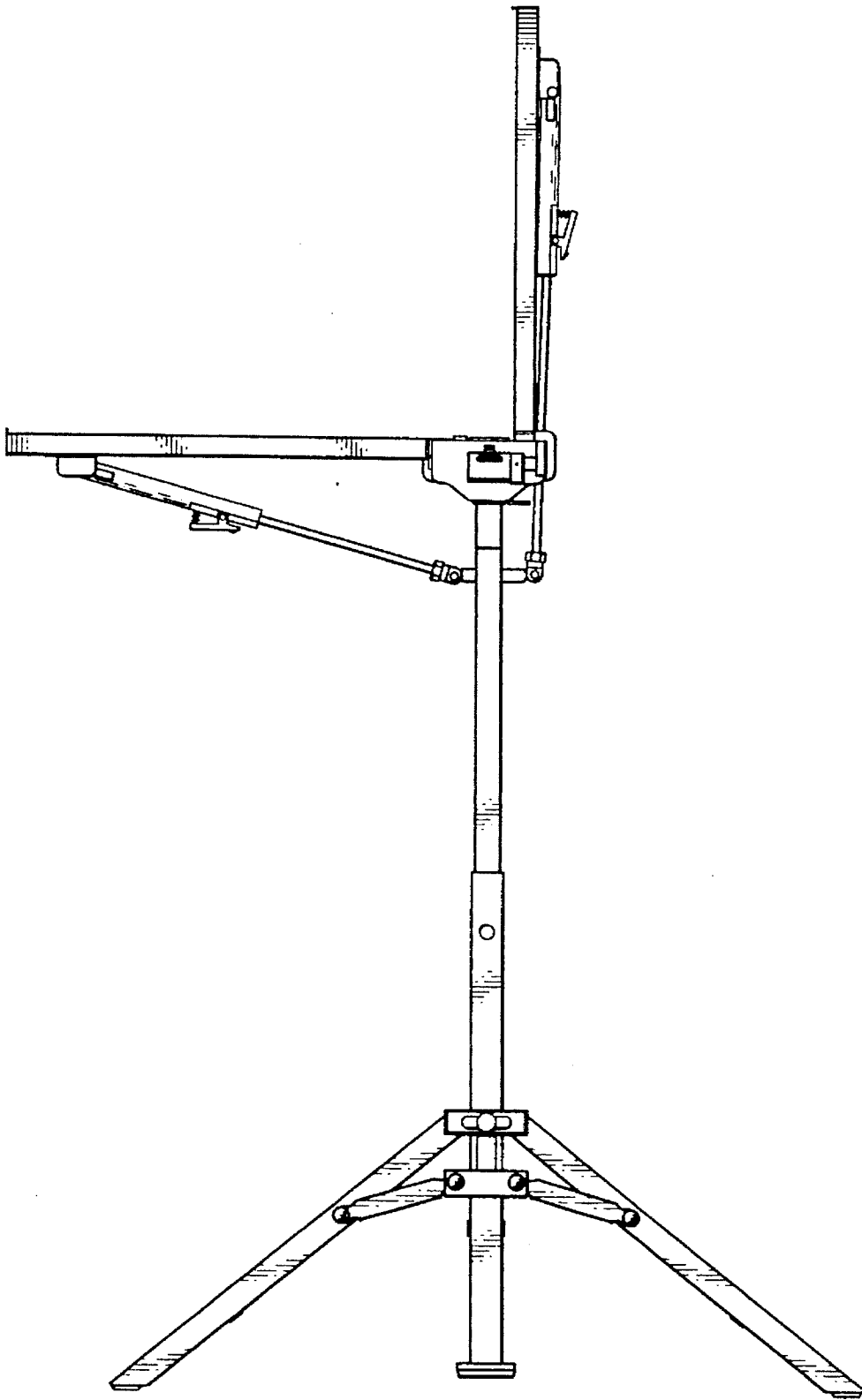


Fig. 9



*Fig. 10*