



(12) **United States Design Patent**  
**Jeong et al.**

(10) **Patent No.:** **US D855,585 S**  
(45) **Date of Patent:** **\*\* Aug. 6, 2019**

(54) **REMOTE CONTROLLER FOR BIDET**  
(71) Applicant: **IS DONGSEO CO., LTD.**, Seoul (KR)  
(72) Inventors: **Ji Cheol Jeong**, Gwangju-si (KR); **Dal Won Yi**, Seoul (KR)

D755,758 S \* 5/2016 Maier ..... D14/218  
D788,077 S \* 5/2017 Ducret ..... D14/218  
D798,272 S \* 9/2017 Desagre ..... D14/218  
D805,058 S \* 12/2017 Akana ..... D14/218  
D805,483 S \* 12/2017 McRoberts ..... D13/168  
D811,351 S \* 2/2018 O'Connell ..... D13/168

(Continued)

(73) Assignee: **IS DONGSEO CO., LTD.**, Seoul (KR)

**FOREIGN PATENT DOCUMENTS**

(\*\*) Term: **15 Years**

EM 004420578-0001 \* 11/2017

(21) Appl. No.: **29/635,304**

**OTHER PUBLICATIONS**

(22) Filed: **Jan. 30, 2018**

A7 Aura Advanced bidet toilet seat—Bio Bidet, website reviews 2017, [https://biobidet.com/products/a7\\_bidet\\_toilet\\_seat](https://biobidet.com/products/a7_bidet_toilet_seat), site visited Mar. 15, 2019.\*

(30) **Foreign Application Priority Data**

(Continued)

Jan. 4, 2018 (KR) ..... 30-2018-0000581

(51) **LOC (12) Cl.** ..... **14-03**

*Primary Examiner* — John Windmuller

(52) **U.S. Cl.**

*Assistant Examiner* — John R Yeh

USPC ..... **D14/218**

(74) *Attorney, Agent, or Firm* — Cantor Colburn LLP

(58) **Field of Classification Search**

USPC ..... D14/218; D13/168  
See application file for complete search history.

(57)

**CLAIM**

The ornamental design for a remote controller for bidet, as shown and described.

(56) **References Cited**

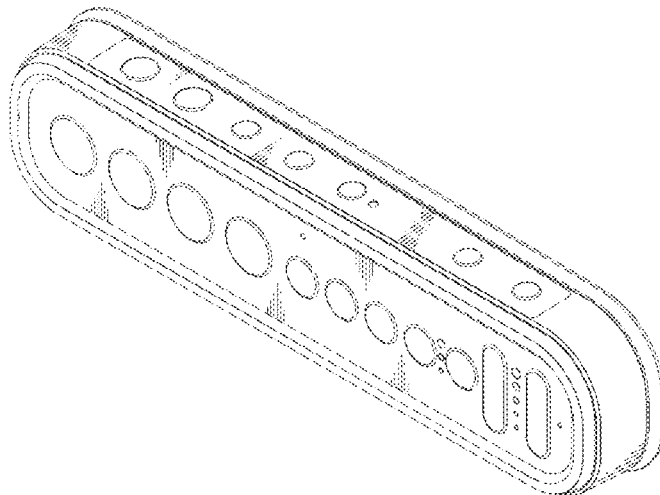
**DESCRIPTION**

**U.S. PATENT DOCUMENTS**

D316,847 S \* 5/1991 Rowen ..... D13/168  
D317,593 S \* 6/1991 Rowen ..... D13/168  
6,680,673 B1 \* 1/2004 Wong ..... G08C 17/00  
340/12.27  
D496,003 S \* 9/2004 Spira ..... D13/168  
D569,813 S \* 5/2008 Charleux ..... D13/168  
D589,941 S \* 4/2009 Maier ..... D14/218  
D602,919 S \* 10/2009 Bodley ..... D14/225  
D605,178 S \* 12/2009 Maier ..... D14/218  
D634,735 S \* 3/2011 Maier ..... D14/218  
D647,510 S \* 10/2011 Maier ..... D14/218  
D647,511 S \* 10/2011 Maier ..... D14/218  
D673,137 S \* 12/2012 Maier ..... D14/218  
D692,415 S \* 10/2013 Zheng ..... D14/218  
D719,935 S \* 12/2014 Diamond ..... D14/218

FIG. 1 is a perspective view of a remote controller for bidet showing our new design;  
FIG. 2 is a front elevational view thereof;  
FIG. 3 is a rear elevational view thereof;  
FIG. 4 is a left side elevational view thereof;  
FIG. 5 is a right side elevational view thereof;  
FIG. 6 is a top plan view thereof; and,  
FIG. 7 is a bottom plan view thereof.  
The broken lines in the drawing views are included for the purpose of illustrating the unclaimed portions of the lamp for vehicle and form no part of the claimed design.

**1 Claim, 4 Drawing Sheets**



(56)

**References Cited**

U.S. PATENT DOCUMENTS

9,891,668 B2 \* 2/2018 Abe ..... G06F 1/1633  
D825,102 S \* 8/2018 Bowen ..... D27/167  
D826,937 S \* 8/2018 Ruegg ..... D14/388  
10,070,669 B2 \* 9/2018 Monsees ..... H05B 1/0244  
10,111,470 B2 \* 10/2018 Monsees ..... H05B 3/04  
2008/0124085 A1 \* 5/2008 Yoshikawa ..... G08C 23/04  
398/106

OTHER PUBLICATIONS

Bidet Seat and Remote Control | Global Source website 2019,  
[https://www.globalsources.com/si/AS/QUOSS-Co/6008847712984/  
pdtl/Bidet-Seat/10638](https://www.globalsources.com/si/AS/QUOSS-Co/6008847712984/pdtl/Bidet-Seat/10638) . . . site visited Mar. 15, 2019.\*

\* cited by examiner

FIG. 1

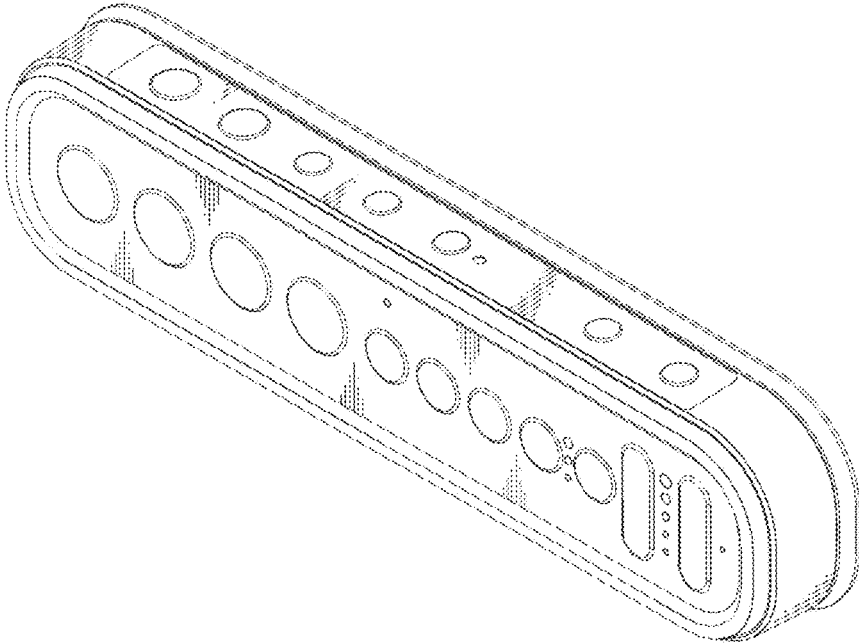


FIG. 2

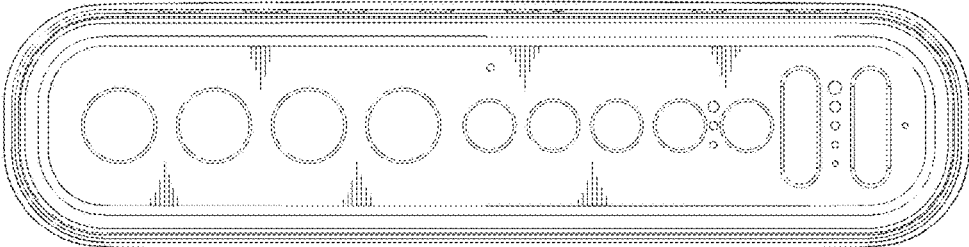


FIG. 3

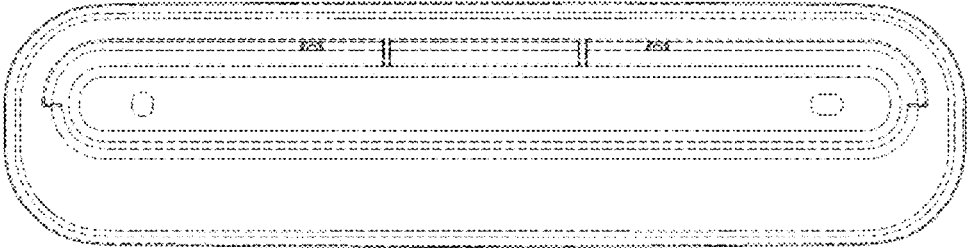


FIG. 4

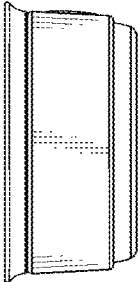


FIG. 5

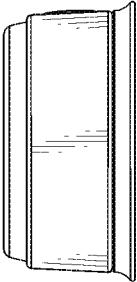


FIG. 6

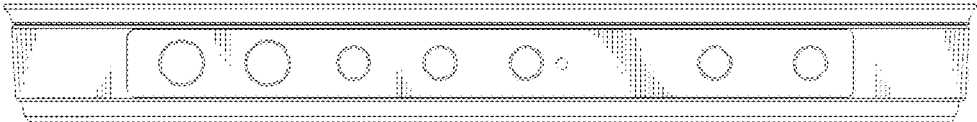


FIG. 7

