



US00D520352S

(12) **United States Design Patent**
Knight et al.

(10) **Patent No.:** **US D520,352 S**

(45) **Date of Patent:** **** May 9, 2006**

(54) **CLAMP**

(75) Inventors: **Byron J. Knight**, San Diego, CA (US);
Mark R. Kennedy, San Diego, CA (US)

(73) Assignee: **Gen-Probe Incorporated**, San Diego, CA (US)

(**) Term: **14 Years**

(21) Appl. No.: **29/188,918**

(22) Filed: **Aug. 25, 2003**

(51) **LOC (8) Cl.** **08-08**

(52) **U.S. Cl.** **D8/395**

(58) **Field of Classification Search** D8/356,
D8/371, 394-396; 248/72.2, 215, 227.1,
248/49, 300, 301, 316.7, 51, 489; 24/22,
24/67 R, 20 S, 115 R, 546, 563, 343

See application file for complete search history.

(56) **References Cited**

U.S. PATENT DOCUMENTS

141,740 A	8/1873	Urso et al.	
1,928,536 A	9/1933	Heinlen et al.	
1,982,589 A	11/1934	Bergstrom	
2,519,987 A	8/1950	Wernette	
2,591,477 A	4/1952	Tegarty	
2,676,377 A	4/1954	Garcia	
2,931,088 A	4/1960	Rose	
3,384,935 A	5/1968	Salvador	
D212,505 S	* 10/1968	Guerrero	D8/396
3,616,497 A	11/1971	Esposito, Jr.	
3,807,675 A	* 4/1974	Seckerson et al.	248/73
D276,272 S	11/1984	Weissenburger	
4,649,658 A	* 3/1987	Sarton et al.	40/316
D291,728 S	9/1987	Hoyt	
D295,315 S	4/1988	Nelson	
4,743,234 A	5/1988	Leopoldi et al.	
D299,168 S	12/1988	Bergstrom et al.	
5,014,939 A	5/1991	Kraus et al.	
D335,371 S	* 5/1993	Meade	D32/60

5,219,099 A	6/1993	Spence et al.	
D366,606 S	* 1/1996	Nakamura	D8/356
5,625,931 A	5/1997	Visser et al.	
5,700,247 A	12/1997	Grimard et al.	
D392,546 S	3/1998	Nakamura	
5,881,438 A	3/1999	Capanna	
D416,789 S	11/1999	Pernu et al.	
D434,850 S	12/2000	Balestracci	
6,213,190 B1	4/2001	Hannerstig	
D447,564 S	9/2001	Stewart, Jr.	
6,397,439 B1	6/2002	Langford	
D467,339 S	12/2002	Trask et al.	
2004/0049892 A1	3/2004	Messina	
2005/0048640 A1	3/2005	Kennedy et al.	

FOREIGN PATENT DOCUMENTS

CH	269995 A	8/1950
FR	2278006 A	2/1976
GB	1297794 A	11/1972

OTHER PUBLICATIONS

PCT International Search Report, PCT/US2004/027371.
PCT Written Opinion of the International Search Authority,
PCT/US2004/027371.

* cited by examiner

Primary Examiner—Louis S. Zarfaz
Assistant Examiner—John Windmuller
(74) *Attorney, Agent, or Firm*—Charles B. Cappellari

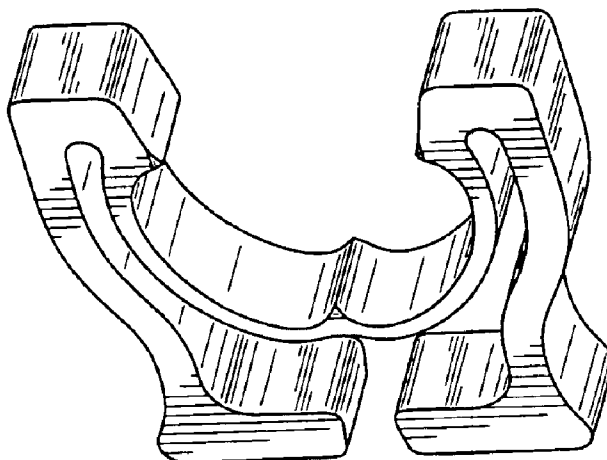
(57) **CLAIM**

The ornamental design for a clamp, substantially as shown and described.

DESCRIPTION

FIG. 1 is a perspective view of our new design for a clamp;
FIG. 2 is a front elevation view thereof;
FIG. 3 is a side elevation view thereof;
FIG. 4 is a top plan view thereof; and,
FIG. 5 is a bottom plan view thereof.

1 Claim, 2 Drawing Sheets



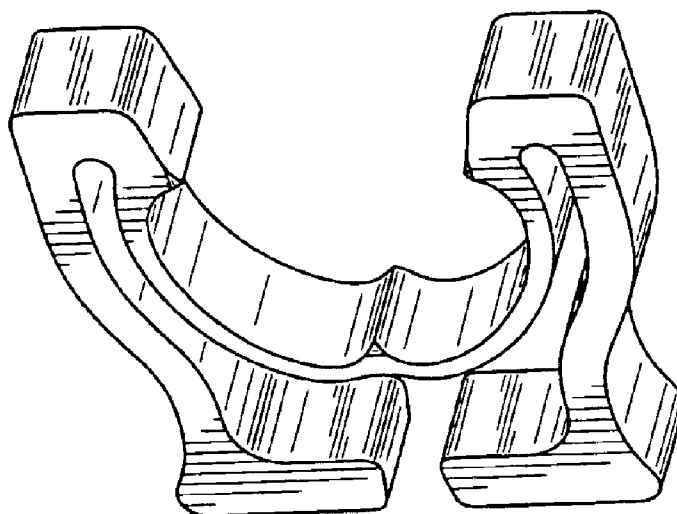


FIG. 1

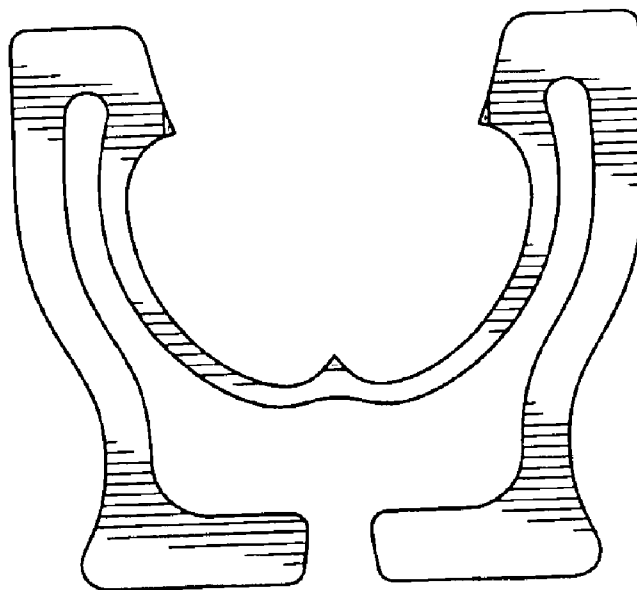


FIG. 2



FIG. 3

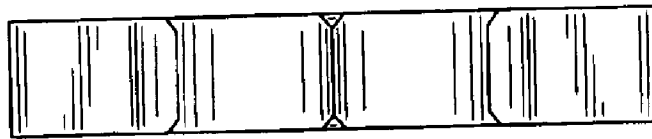


FIG. 4

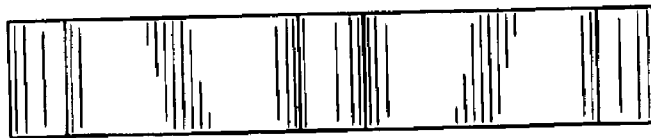


FIG. 5