



US00D763165S

(12) **United States Design Patent**
Hans et al.

(10) **Patent No.:** **US D763,165 S**

(45) **Date of Patent:** **** Aug. 9, 2016**

(54) **WHEEL OR WHEEL COVER**

(71) Applicant: **Daimler AG**, Stuttgart (DE)

(72) Inventors: **Bernhard Hans**, Kirchberg (DE); **Kai Hilpert**, Plochingen (DE)

(73) Assignee: **Daimler AG**, Stuttgart (DE)

(**) Term: **15 Years**

(21) Appl. No.: **29/536,977**

(22) Filed: **Aug. 21, 2015**

(30) **Foreign Application Priority Data**

Feb. 26, 2015 (WO) DM/085744

(51) **LOC (10) CL.** **12-16**

(52) **U.S. CL.**
USPC **D12/211**

(58) **Field of Classification Search**
USPC D12/204–213
CPC B60B 7/00; B60B 7/02; B60B 7/04;
B60B 7/01; B60B 7/06; B60B 3/02; B60B
3/04; B60B 3/06; B60B 3/10; B60B 1/00;
B60B 1/08; B60B 1/10; B60B 1/12
See application file for complete search history.

(56) **References Cited**

U.S. PATENT DOCUMENTS

D567,738 S *	4/2008	Habib	D12/211
D628,136 S *	11/2010	Leclercq	D12/211
D639,227 S *	6/2011	Leclercq	D12/211
D666,953 S *	9/2012	Pollmann	D12/209
D668,197 S *	10/2012	Gotschke	D12/211
D670,636 S *	11/2012	Juergens	D12/211
D671,481 S *	11/2012	Amezqueta	D12/211
D683,685 S *	6/2013	Pollmann	D12/211
D687,757 S *	8/2013	Lemke	D12/211
D695,198 S *	12/2013	Juergens	D12/211
D697,017 S *	1/2014	Holstein	D12/211
D720,274 S *	12/2014	Mielke	D12/211
D723,996 S *	3/2015	Zhao	D12/211
D731,388 S *	6/2015	Gotschke	D12/211
D733,633 S *	7/2015	Gardavsky	D12/211
D746,211 S *	12/2015	Carter	D12/211

* cited by examiner

Primary Examiner — Stacia Cadmus

(74) *Attorney, Agent, or Firm* — Crowell & Moring LLP

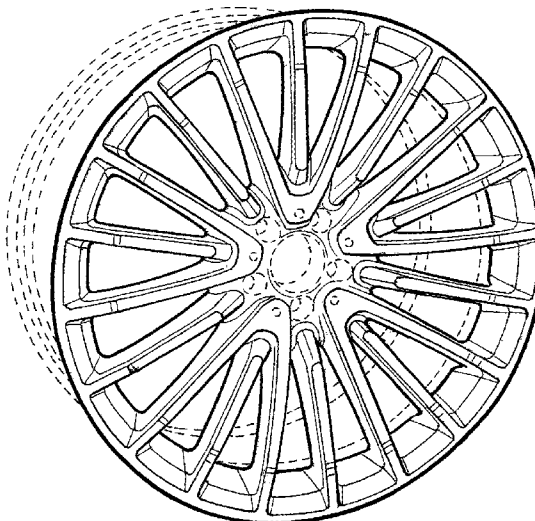
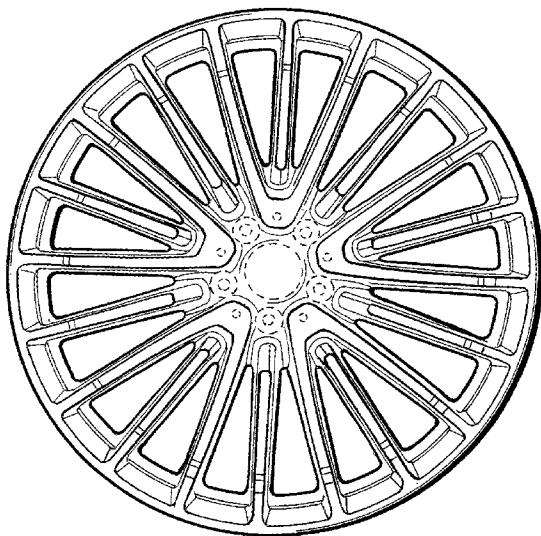
(57) **CLAIM**

The ornamental design for a wheel or wheel cover, as shown and described.

DESCRIPTION

FIG. 1 is a front view of a wheel or wheel cover according to the design; and,
FIG. 2 is a perspective view thereof.
The broken lines are for illustrative purposes only and form no part of the claimed design.

1 Claim, 1 Drawing Sheet



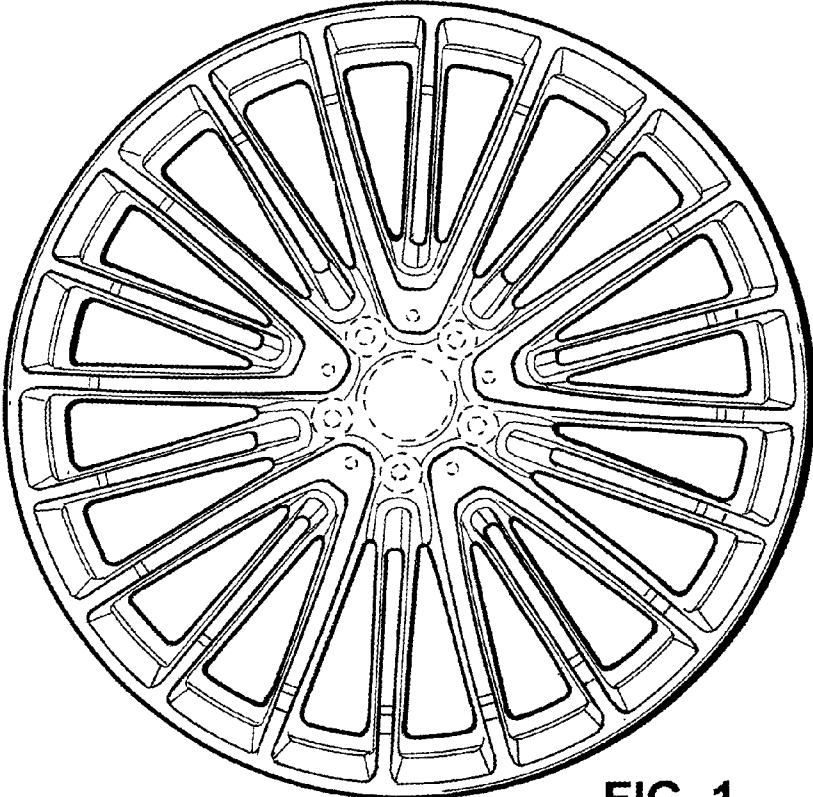


FIG. 1

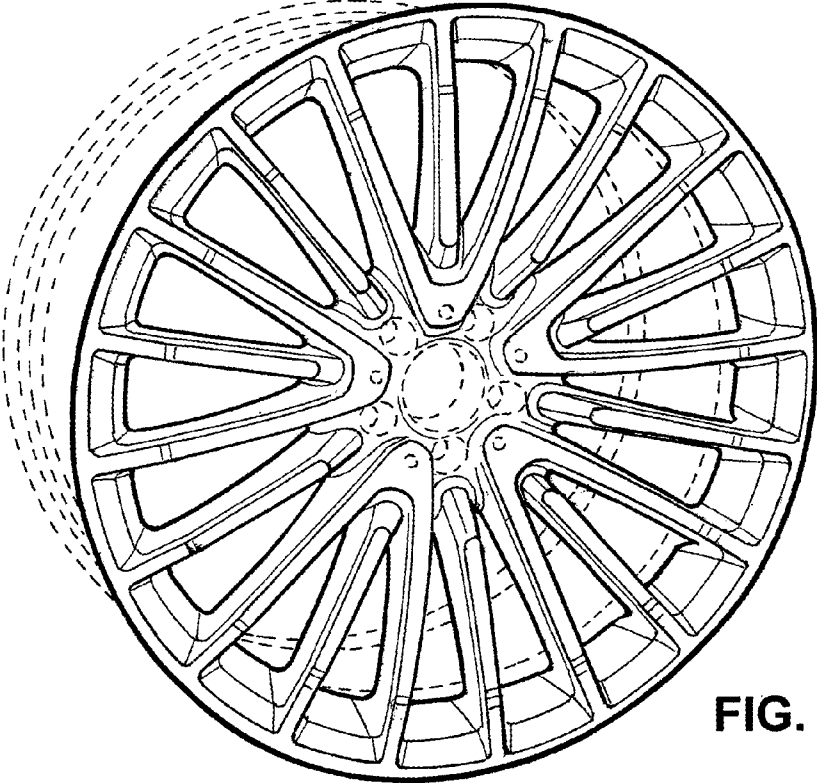


FIG. 2