

(19) World Intellectual Property  
Organization  
International Bureau



(43) International Publication Date  
27 November 2003 (27.11.2003)

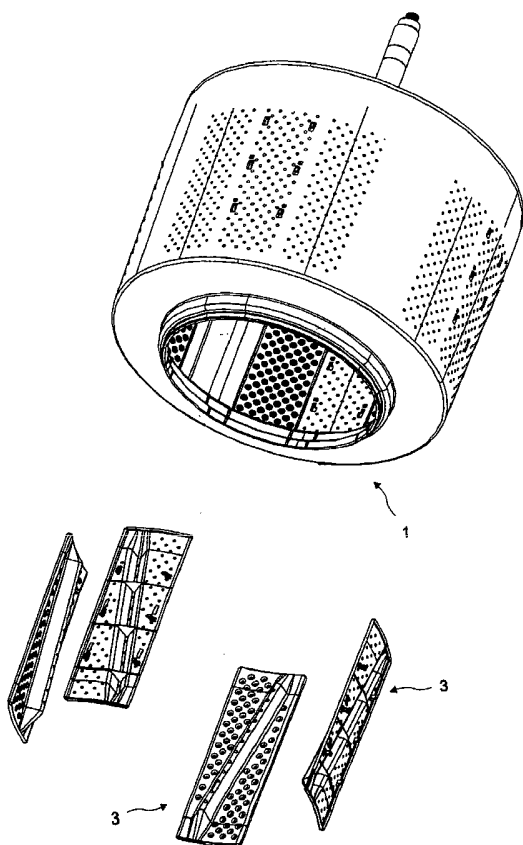
PCT

(10) International Publication Number  
**WO 2003/097918 A3**

- (51) International Patent Classification<sup>7</sup>: **D06F 37/02**,  
58/20 Esat [TR/TR]; Arçelik A.S., E5 Ankara Asfaltı üzeri,  
34950 Istanbul (TR).
- (21) International Application Number:  
PCT/TR2003/000042 (74) Agent: **ANKARA PATENT BUREAU LIMITED**;  
Kavaklıdere, Bestekar Sokak No. 10, 06680 Ankara (TR).
- (22) International Filing Date: 16 May 2003 (16.05.2003) (81) Designated States (*national*): AE, AG, AL, AM, AT, AU,  
AZ, BA, BB, BG, BR, BY, BZ, CA, CH, CN, CO, CR, CU,  
CZ, DE, DK, DM, DZ, EC, EE, ES, FI, GB, GD, GE, GH,  
GM, HR, HU, ID, IL, IN, IS, JP, KE, KG, KP, KR, KZ, LC,  
LK, LR, LS, LT, LU, LV, MA, MD, MG, MK, MN, MW,  
MX, MZ, NI, NO, NZ, OM, PH, PL, PT, RO, RU, SC, SD,  
SE, SG, SK, SL, TJ, TM, TN, TR, TT, TZ, UA, UG, US,  
UZ, VC, VN, YU, ZA, ZM, ZW.
- (25) Filing Language: Turkish (84) Designated States (*regional*): ARIPO patent (GH, GM,  
KE, LS, MW, MZ, SD, SL, SZ, TZ, UG, ZM, ZW),  
Eurasian patent (AM, AZ, BY, KG, KZ, MD, RU, TJ, TM),  
European patent (AT, BE, BG, CH, CY, CZ, DE, DK, EE,  
ES, FI, FR, GB, GR, HU, IE, IT, LU, MC, NL, PT, RO,
- (26) Publication Language: English
- (30) Priority Data:  
2002/01345 17 May 2002 (17.05.2002) TR
- (71) Applicant (*for all designated States except US*): **ARÇE-  
LIK A.S.** [TR/TR]; E5 Ankara Asfaltı üzeri, Tuzla, 34950  
Istanbul (TR).
- (72) Inventor; and  
(75) Inventor/Applicant (*for US only*): **ÖZTÜRK, Umud**,

[Continued on next page]

(54) Title: DRUM



(57) Abstract: This invention is related with a drum (1) in washing/drying machines, preferably in front loading in washing machines, rotating with a motor around its central axis inside a tub, manufactured of non-metal, a material such as made of plastics, comprising one or more plates (3) manufactured separate from that drum (1), to cover the manufacturing faults such as flash at the edges of drum perforations (2) so as to prevent harm to laundries.

WO 2003/097918 A3



SE, SI, SK, TR), OAPI patent (BF, BJ, CF, CG, CI, CM, GA, GN, GQ, GW, ML, MR, NE, SN, TD, TG).

*For two-letter codes and other abbreviations, refer to the "Guidance Notes on Codes and Abbreviations" appearing at the beginning of each regular issue of the PCT Gazette.*

**Published:**

- *with international search report*
- *before the expiration of the time limit for amending the claims and to be republished in the event of receipt of amendments*

**(88) Date of publication of the international search report:**

1 April 2004

# INTERNATIONAL SEARCH REPORT

International Application No

PCT/TR 03/00042

**A. CLASSIFICATION OF SUBJECT MATTER**  
 IPC 7 D06F37/02 D06F58/20

According to International Patent Classification (IPC) or to both national classification and IPC

**B. FIELDS SEARCHED**

Minimum documentation searched (classification system followed by classification symbols)

IPC 7 D06F

Documentation searched other than minimum documentation to the extent that such documents are included in the fields searched

Electronic data base consulted during the international search (name of data base and, where practical, search terms used)

EPO-Internal, PAJ

**C. DOCUMENTS CONSIDERED TO BE RELEVANT**

Category °	Citation of document, with indication, where appropriate, of the relevant passages	Relevant to claim No.
X	US 5 495 681 A (PARADIS ANDR E) 5 March 1996 (1996-03-05) the whole document ----	1-4,7-9
X	DE 12 07 328 B (CONSTRUCTA WERKE G M B H) 23 December 1965 (1965-12-23) the whole document ----	1,2
A	US 5 371 956 A (ST LOUIS ROBERT M) 13 December 1994 (1994-12-13) column 2, line 48-51; figures 3,4 -----	3,5,10

Further documents are listed in the continuation of box C.

Patent family members are listed in annex.

° Special categories of cited documents :

- \*A\* document defining the general state of the art which is not considered to be of particular relevance
- \*E\* earlier document but published on or after the international filing date
- \*L\* document which may throw doubts on priority claim(s) or which is cited to establish the publication date of another citation or other special reason (as specified)
- \*O\* document referring to an oral disclosure, use, exhibition or other means
- \*P\* document published prior to the international filing date but later than the priority date claimed

- \*T\* later document published after the international filing date or priority date and not in conflict with the application but cited to understand the principle or theory underlying the invention
- \*X\* document of particular relevance; the claimed invention cannot be considered novel or cannot be considered to involve an inventive step when the document is taken alone
- \*Y\* document of particular relevance; the claimed invention cannot be considered to involve an inventive step when the document is combined with one or more other such documents, such combination being obvious to a person skilled in the art.
- \* & \* document member of the same patent family

Date of the actual completion of the international search

20 February 2004

Date of mailing of the international search report

01/03/2004

Name and mailing address of the ISA

European Patent Office, P.B. 5818 Patentlaan 2  
 NL - 2280 HV Rijswijk  
 Tel. (+31-70) 340-2040, Tx. 31 651 epo nl,  
 Fax: (+31-70) 340-3016

Authorized officer

Ureta, R

# INTERNATIONAL SEARCH REPORT

information on patent family members

International application No

PCT/TR 03/00042

Patent document cited in search report		Publication date	Patent family member(s)	Publication date
US 5495681	A	05-03-1996	NONE	
DE 1207328	B	23-12-1965	CH 374049 A FR 1218891 A	31-12-1963 13-05-1960
US 5371956	A	13-12-1994	CA 2062016 A1	28-08-1993