

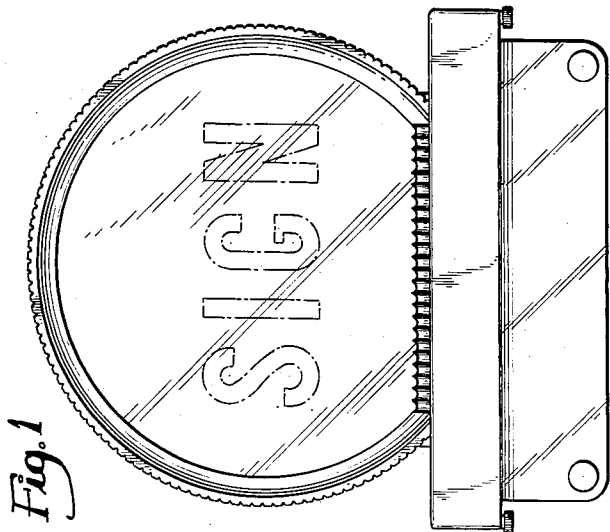
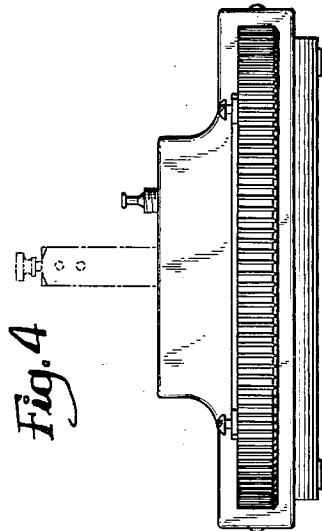
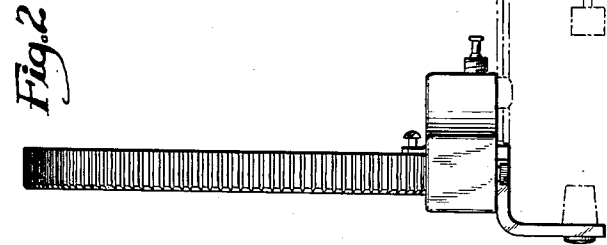
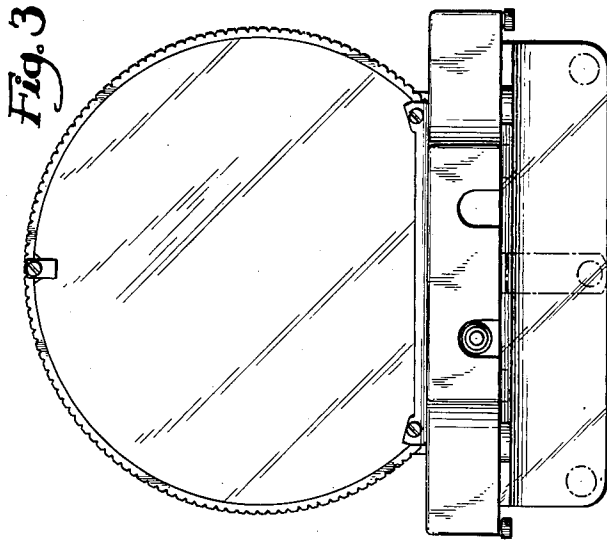
April 8, 1952

F. KASPUTIS

Des. 166,396

ILLUMINABLE SIGN

Filed Aug. 24, 1950



Inventor  
Frank Kasputis

by: *Maurice S. Leary*  
Atty.

# UNITED STATES PATENT OFFICE

166,396

## ILLUMINABLE SIGN

Frank Kasputis, Chicago, Ill., assignor to Price Brothers, Inc., Chicago, Ill., a corporation of Illinois

Application August 24, 1950, Serial No. 11,906

Term of patent 3½ years

(Cl. D1-12)

*To all whom it may concern:*

Be it known that I, Frank Kasputis, a citizen of the United States of America and resident of Chicago, in the county of Cook and State of Illinois, have invented a new, original, and ornamental Design for an Illuminable Sign, of which the following is a specification, reference being had to the accompanying drawing, forming a part thereof.

Fig. 1 is a front elevational view of an illuminable sign embodying my new design.

Fig. 2 is a view of one of the ends thereof.

Fig. 3 is a back view thereof.

Fig. 4 is a plan view thereof.

The dominant features of my design are shown in full lines.

**I claim:**

The ornamental design for an illuminable sign, substantially as shown and described.

FRANK KASPUTIS.

### REFERENCES CITED

The following references are of record in the file of this patent:

#### UNITED STATES PATENTS

Number	Name	Date
D. 125,785	Rohkar	Mar. 11, 1941
D. 129,941	Peters	Oct. 14, 1941
D. 143,242	Reinshield	Dec. 18, 1945
D. 151,108	Verduyn et al.	Sept. 21, 1948
D. 152,889	Kuhler	Mar. 1, 1949
D. 154,952	Peters	Aug. 23, 1949
D. 158,573	Hammer	May 16, 1950