



US00D758834S

(12) **United States Design Patent**  
**Tally**

(10) **Patent No.:** **US D758,834 S**

(45) **Date of Patent:** **\*\* Jun. 14, 2016**

(54) **ROOFTOP SUPPORT**

(71) Applicant: **Cooper Technologies Company,**  
Houston, TX (US)

(72) Inventor: **Brandon Michael Tally,** Greenville, IL  
(US)

(73) Assignee: **Cooper Technologies Company,**  
Houston, TX (US)

(\*\*) Term: **15 Years**

(21) Appl. No.: **29/535,607**

(22) Filed: **Aug. 7, 2015**

**Related U.S. Application Data**

(62) Division of application No. 29/465,729, filed on Aug. 30, 2013, now Pat. No. Des. 738,711.

(51) **LOC (10) Cl.** ..... **08-05**

(52) **U.S. Cl.**  
USPC ..... **D8/380**

(58) **Field of Classification Search**

USPC ..... D8/349, 354-355, 380, 382-383, 394,  
D8/74; D13/155, 102, 118, 154, 184, 199;  
D25/119, 123, 124, 125, 65; D21/484,  
D21/500, 504  
CPC ..... B25B 1/00; F24J 2/07; F24J 2/14;  
F24J 2/541; F24J 2/542; F24J 2/38; Y02E  
10/47; Y02E 10/45; Y02E 10/50; Y02E  
10/60; Y02E 10/52; E04H 9/022; E04H  
9/021; E02D 27/34; E04B 1/98; H01L 35/00;  
H01L 31/0522; H01L 35/08; H01L 31/052;  
H01L 31/042; H01L 31/05; H01L 27/1423;  
H01L 31/048; H01L 31/045; H01L 31/055;  
B64G 1/443; B64G 1/222; B60G 2202/143  
See application file for complete search history.

(56) **References Cited**

**U.S. PATENT DOCUMENTS**

1,858,101 A \* 5/1932 McAfee ..... F16L 7/00  
248/49

2,905,743 A 9/1959 Sylvester  
2,909,054 A \* 10/1959 Phillips ..... E04B 1/4107  
24/DIG. 50  
3,636,829 A \* 1/1972 Palmer ..... E01F 9/087  
404/7  
3,995,901 A 12/1976 Filbert, Jr. et al.  
4,469,316 A 9/1984 van den Boom et al.  
4,783,040 A \* 11/1988 Lindberg ..... F16L 3/14  
24/274 R

(Continued)

**FOREIGN PATENT DOCUMENTS**

CA 2107707 A1 10/1993  
CA 2151183 A1 6/1995

**OTHER PUBLICATIONS**

Advanced Support Products, Inc., Ecocurb with Strut (Rubber or Plastic), 1 page, 2001, Tomball, Texas, United States.

(Continued)

*Primary Examiner* — Rosemary K Tarcza

*Assistant Examiner* — Nathaniel D Buckner

(74) *Attorney, Agent, or Firm* — Sennier Powers LLP

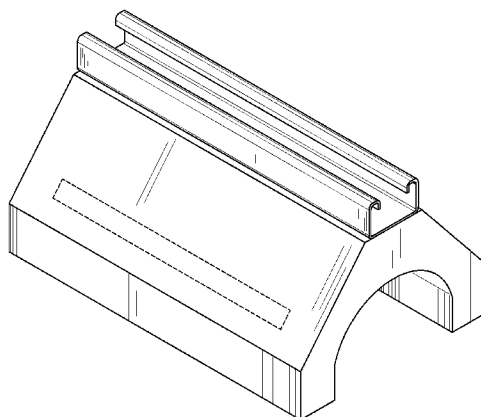
(57) **CLAIM**

The ornamental design for a rooftop support, as shown and described.

**DESCRIPTION**

FIG. 1 is a perspective of a rooftop support;  
FIG. 2 is a front elevational view thereof;  
FIG. 3 is a right elevational view thereof;  
FIG. 4 is a top plan view thereof;  
FIG. 5 is a rear elevational view thereof;  
FIG. 6 is a left elevational view thereof; and,  
FIG. 7 is a bottom plan view thereof.  
The broken lines in the drawings indicate environmental structure which forms no part of the claimed design.

**1 Claim, 7 Drawing Sheets**



(56)

References Cited

U.S. PATENT DOCUMENTS

5,028,463 A 7/1991 Cahill et al.  
 5,122,405 A 6/1992 Landi  
 5,217,191 A 6/1993 Smith  
 5,723,192 A 3/1998 Jonasz  
 D393,320 S 4/1998 Sinclair  
 D399,727 S 10/1998 Richter  
 5,816,554 A 10/1998 McCracken  
 5,855,342 A 1/1999 Hawkins et al.  
 D417,135 S 11/1999 McMahan  
 6,229,497 B1 5/2001 McCracken  
 6,427,965 B1 8/2002 McCracken  
 6,494,415 B1\* 12/2002 Roth ..... F16L 3/24  
 248/62  
 6,520,456 B1 2/2003 Neider et al.  
 D490,692 S 6/2004 Williams  
 D521,851 S 5/2006 Smart  
 D564,958 S\* 3/2008 Almy ..... D13/102  
 D585,728 S 2/2009 Bertoni  
 7,591,442 B2\* 9/2009 Dinh ..... F16L 3/1033  
 248/62  
 7,661,240 B2\* 2/2010 Sargent ..... F16L 3/137  
 248/146

7,866,093 B2\* 1/2011 Krovats ..... E04D 13/12  
 52/24  
 7,922,130 B2\* 4/2011 Hawkins ..... F16L 3/00  
 248/346.01  
 D667,296 S 9/2012 Eichner et al.  
 8,312,692 B2 11/2012 Krovats  
 D692,393 S 10/2013 Hillman et al.  
 8,863,468 B1 10/2014 Perry et al.  
 8,910,803 B2 12/2014 Holtby et al.  
 2006/0091265 A1\* 5/2006 Smart ..... F16L 3/02  
 248/49  
 2007/0045482 A1\* 3/2007 Smart ..... F16L 3/04  
 248/68.1  
 2007/0057125 A1 3/2007 Hawkins  
 2007/0120036 A1 5/2007 Olle et al.  
 2010/0252092 A1 10/2010 Lenox

OTHER PUBLICATIONS

Cooper B-Line, B-Line, Dura-Blok, A Complete Rooftop Support Solution, 16 pages, at least as early as Aug. 29, 2012, Highland, Illinois, United States.  
 Keycurb, Roof Top RTA Accessories, Keycurb Pipe Supports, May 16, 2007, 2 pages, <http://www.keycurb.com/products/keycurb/strut.asp>, Tomball, Texas, United States.

\* cited by examiner

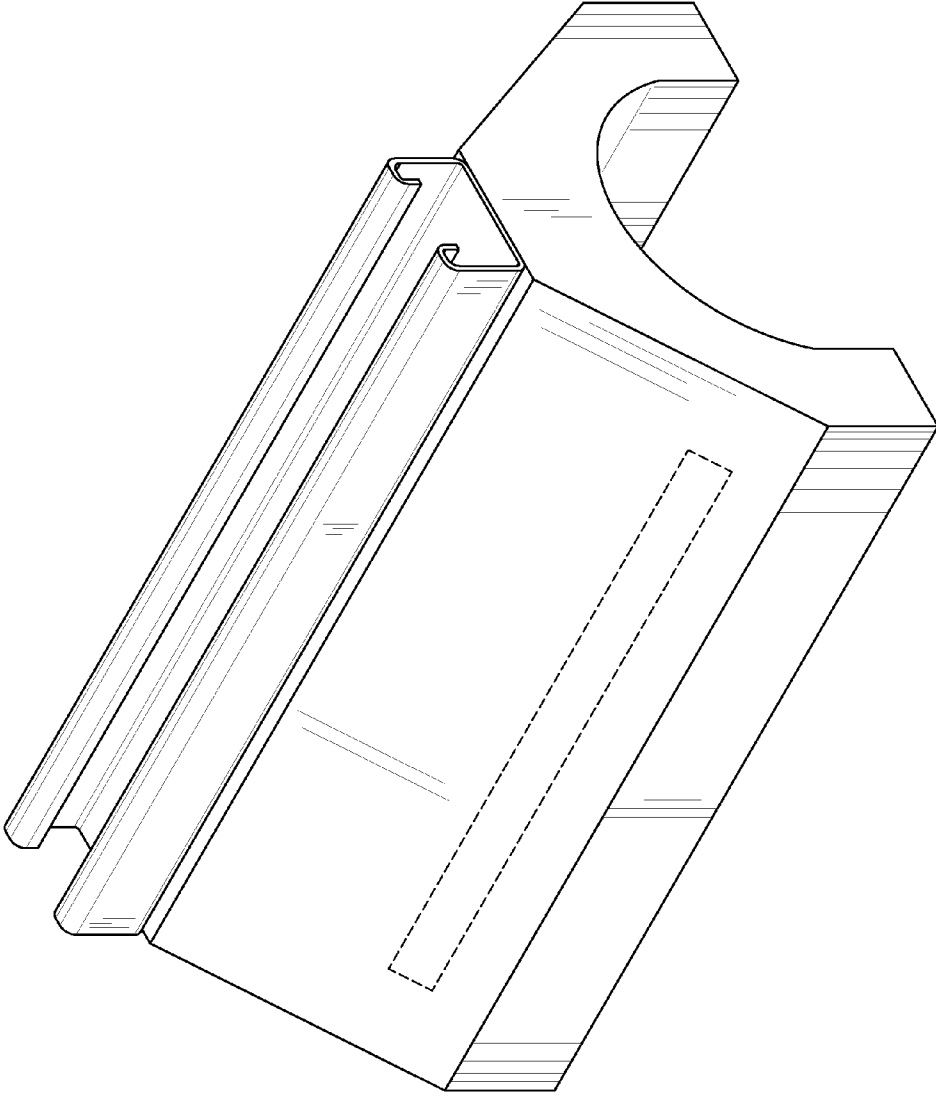


FIG. 1

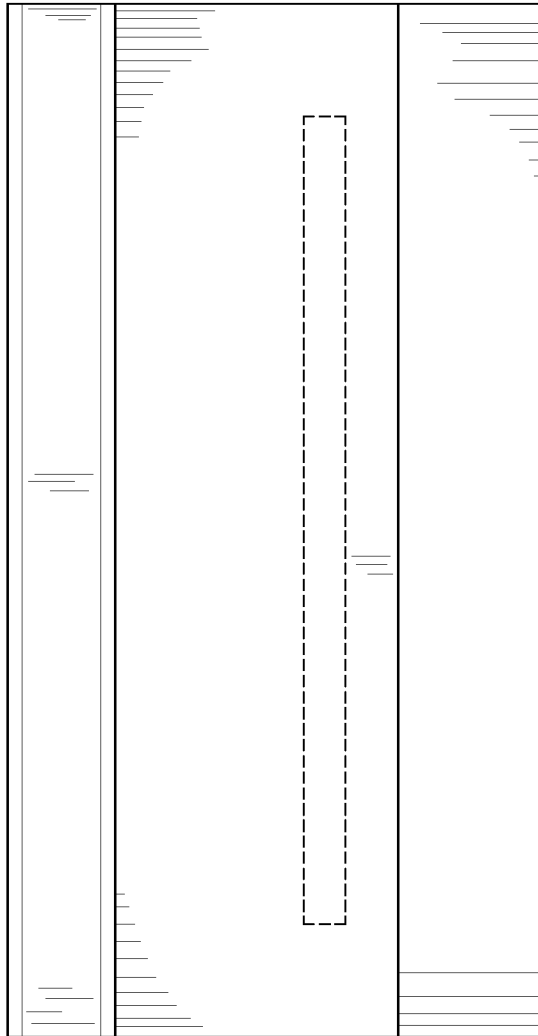
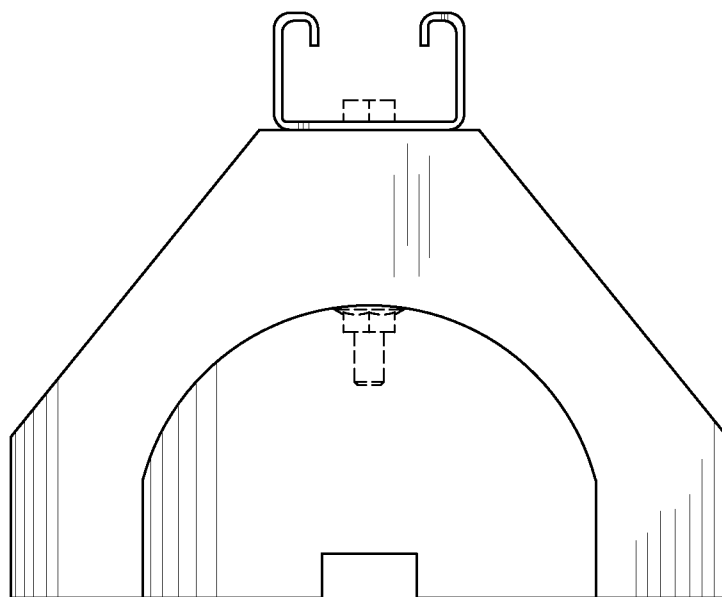


FIG. 2

FIG. 3



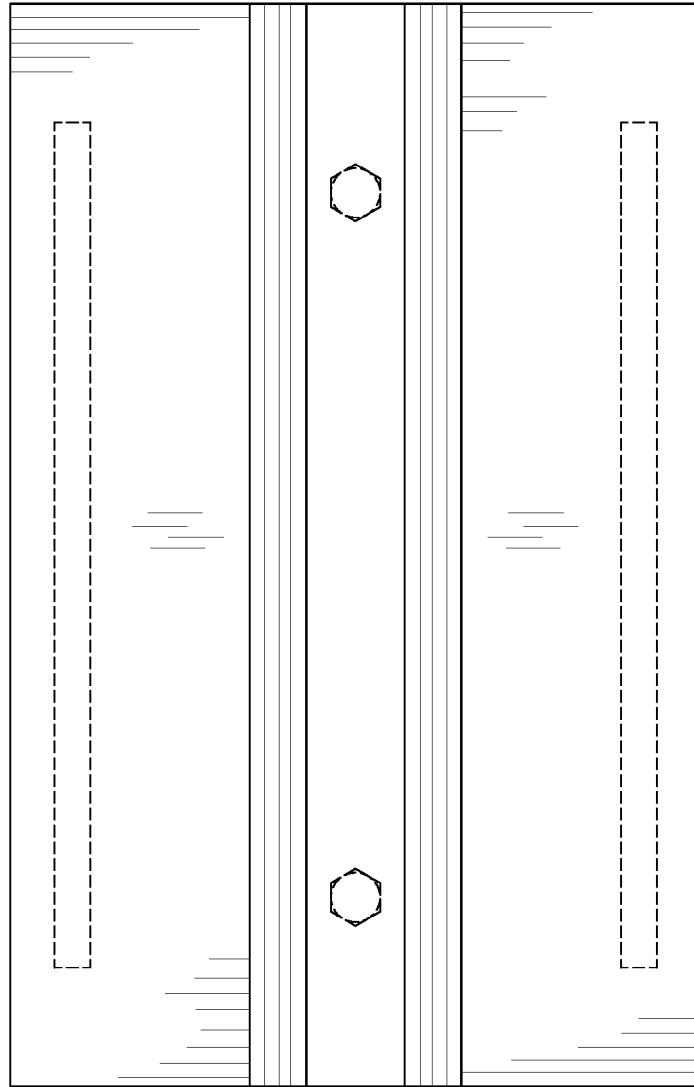


FIG. 4

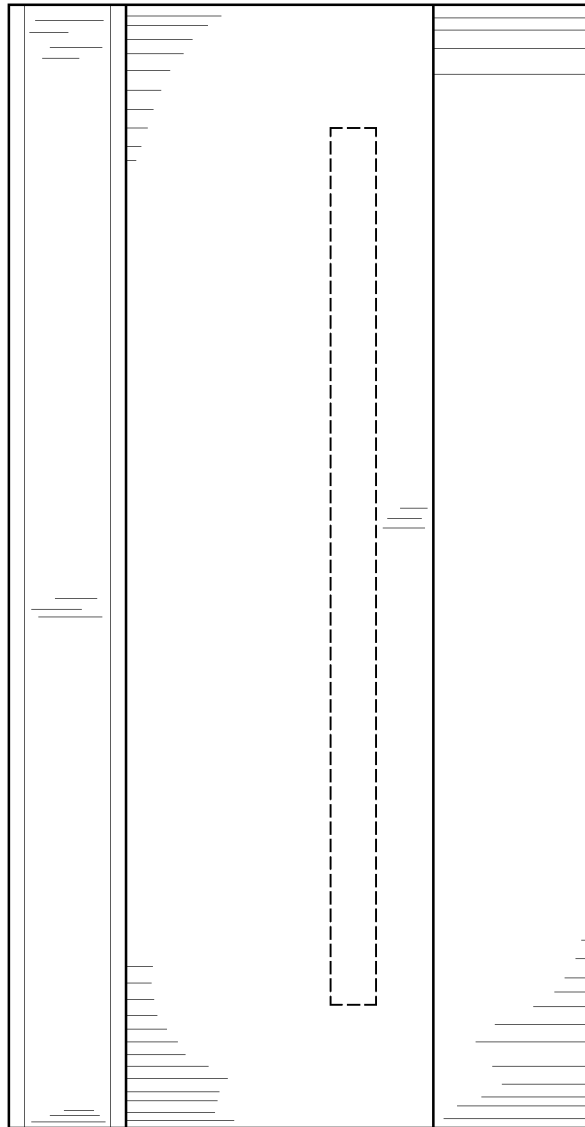
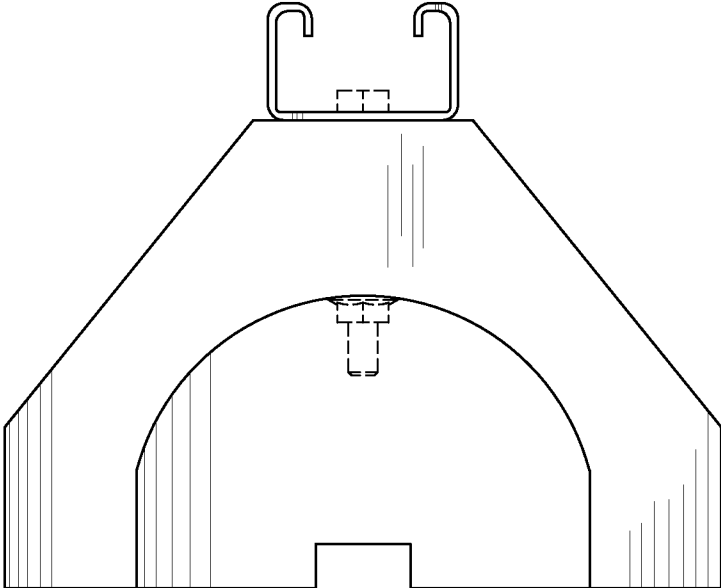


FIG. 5

FIG. 6





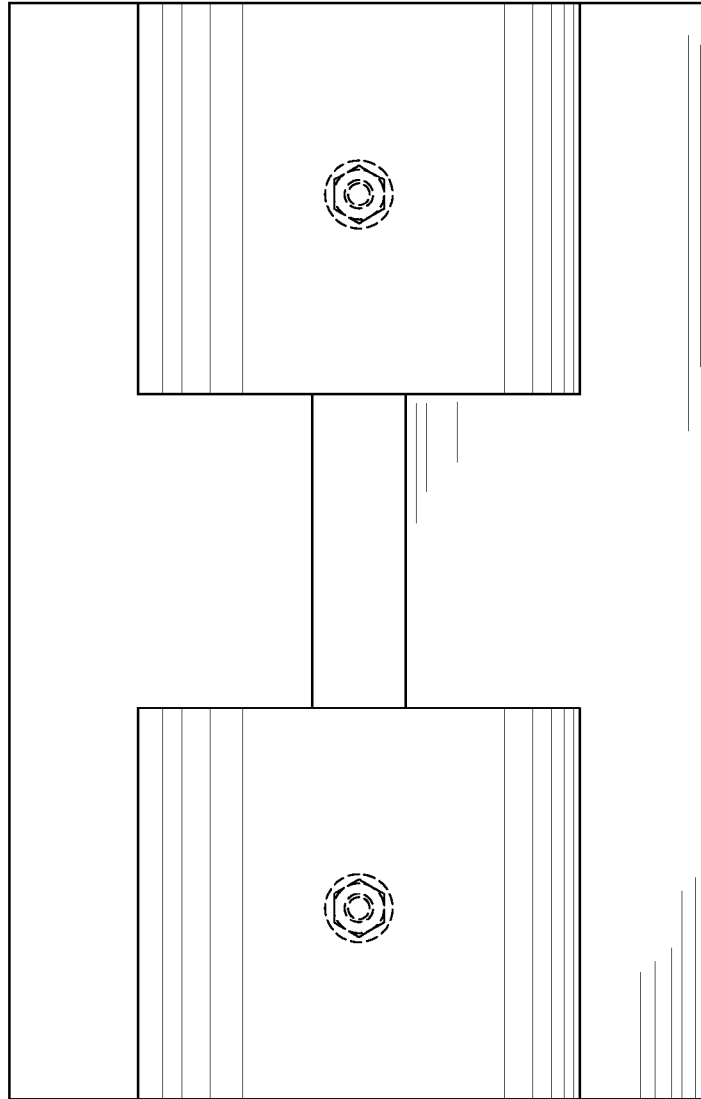


FIG. 7