



US00D739693S

(12) **United States Design Patent**
Cooper

(10) **Patent No.:** **US D739,693 S**

(45) **Date of Patent:** **** Sep. 29, 2015**

(54) **GARDEN HOE**

(71) Applicant: **Jack M. Cooper**, Blackwell, OK (US)

(72) Inventor: **Jack M. Cooper**, Blackwell, OK (US)

(**) Term: **14 Years**

(21) Appl. No.: **29/497,693**

(22) Filed: **Jul. 28, 2014**

(51) **LOC (10) Cl.** **08-01**

(52) **U.S. Cl.**

USPC **D8/11**

(58) **Field of Classification Search**

USPC D8/10, 11, 20; D21/532

CPC A01D 34/13; A01B 1/06; A01B 1/10;

A01B 1/12; A01B 1/14; A01B 1/20; A01B

1/16; A01B 1/22; A01B 1/27

See application file for complete search history.

(56) **References Cited**

U.S. PATENT DOCUMENTS

18,979	A *	12/1857	Lothrop	172/378
25,862	A *	10/1859	Adams	172/378
197,956	A *	12/1877	Walker	172/375
1,239,316	A *	9/1917	Svendsen	172/376
1,490,809	A *	4/1924	Eichenberger-Girarde	172/378
1,749,731	A *	3/1930	Mehlig	172/375
2,712,782	A *	7/1955	Blankenship	172/374
2,752,839	A *	7/1956	Robertson	172/375
3,000,451	A	9/1961	Adams	
D232,015	S *	7/1974	Pontius	D8/11
5,004,053	A	4/1991	Martell	
5,046,254	A	9/1991	Russell	
5,452,769	A	9/1995	Markert	
5,560,434	A	10/1996	Janik	
D379,141	S	5/1997	Cleghorn	
D425,383	S *	5/2000	Rigdon	D8/11

6,311,783	B1	11/2001	Harpell	
6,467,246	B1 *	10/2002	McCredie	56/296
8,291,996	B2	10/2012	Hoang	
D729,599	S *	5/2015	Talbot	D8/20
2008/0000210	A1 *	1/2008	Jolly	56/257

FOREIGN PATENT DOCUMENTS

GB 2181086 A * 4/1987 A01B 1/08

OTHER PUBLICATIONS

Recycled Sickle Section Garden Hoe, Made in Bozeman Montana, by Fisher Blacksmithing, earliest review date Nov. 19, 2012, Image post date Unknown, Site visited on Aug. 5, 2015 (online), <<https://www.etsy.com/listing/100292231/recycled-sickle-section-garden-hoe-made>>.*

* cited by examiner

Primary Examiner — Sheryl Lane

Assistant Examiner — Ieisha Price

(74) *Attorney, Agent, or Firm* — Molly D. McKay

(57)

CLAIM

The ornamental design for a garden hoe, as shown and described.

DESCRIPTION

FIG. 1 is a perspective view from the rear of my garden hoe design;

FIG. 2 is a left side view thereof;

FIG. 3 is a top plan view thereof;

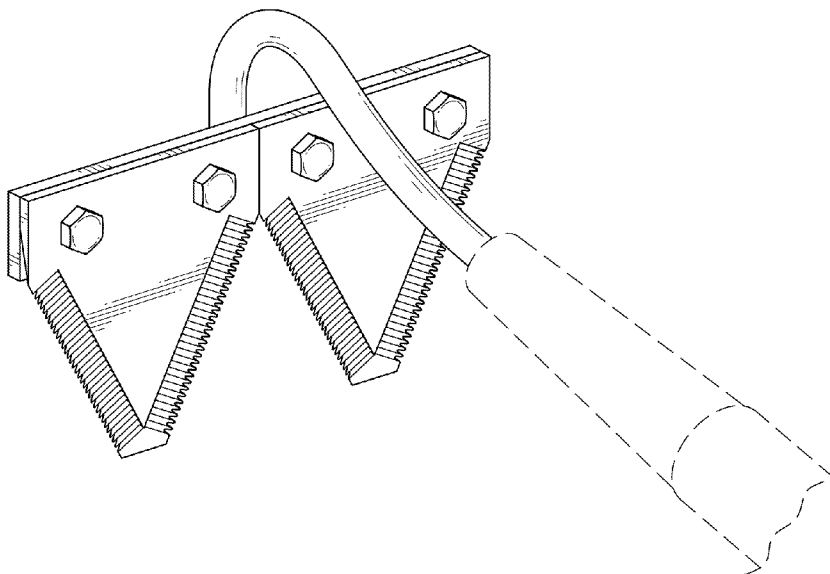
FIG. 4 is a bottom plan view thereof;

FIG. 5 is a front view thereof; and,

FIG. 6 is a rear view.

The broken lines in the drawings illustrate portions of the garden hoe and form no part of the claimed design.

1 Claim, 2 Drawing Sheets



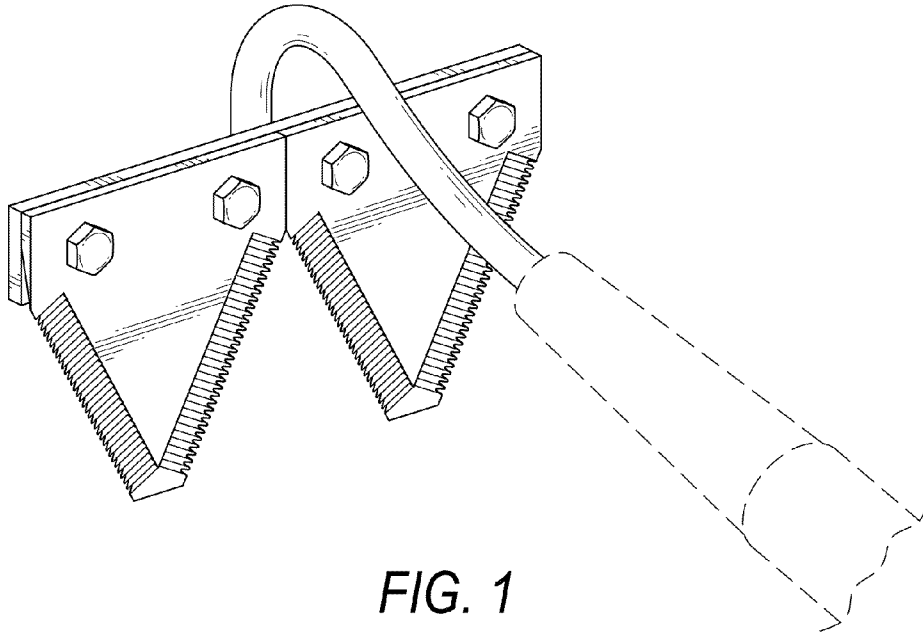


FIG. 1

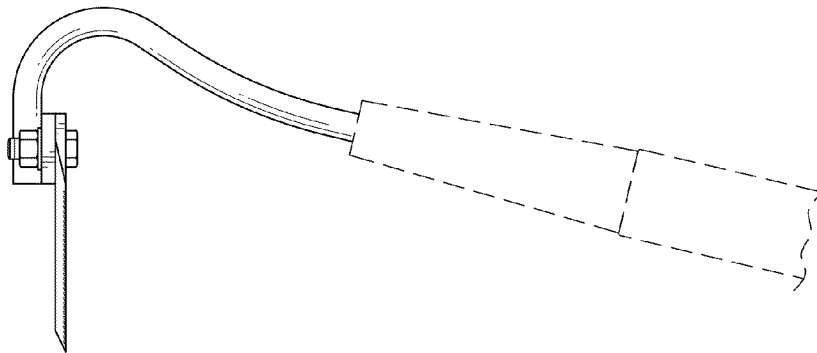


FIG. 2

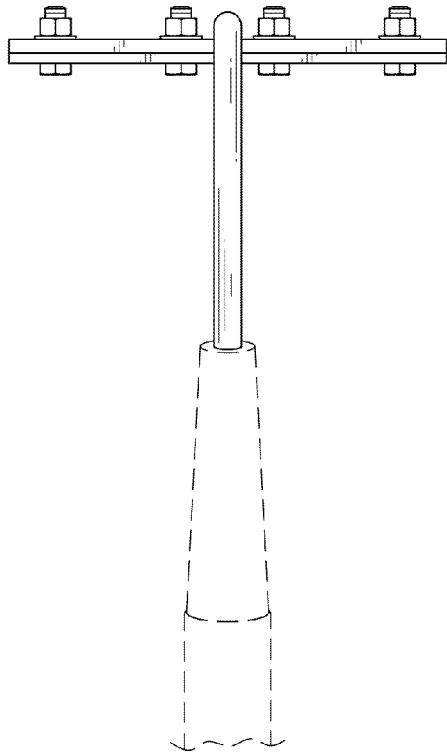


FIG. 3

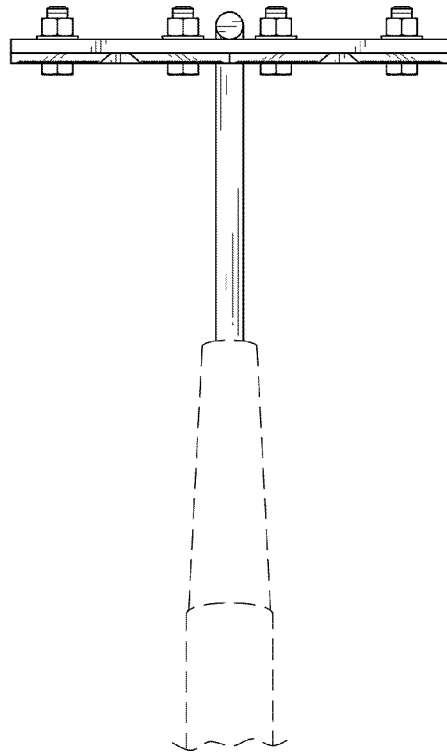


FIG. 4

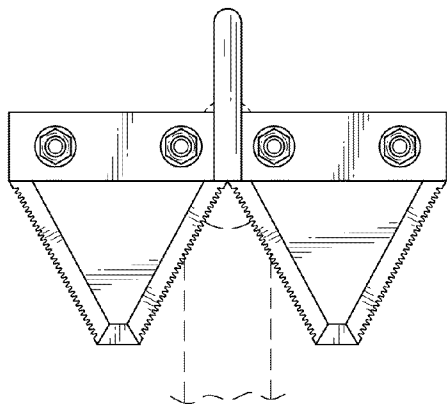


FIG. 5

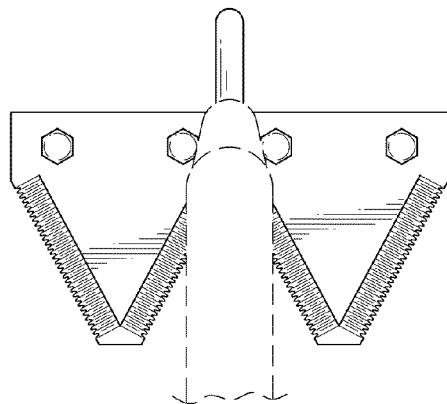


FIG. 6