

(19) World Intellectual Property Organization  
International Bureau



(43) International Publication Date  
24 February 2005 (24.02.2005)

PCT

(10) International Publication Number  
WO 2005/017729 A3

(51) International Patent Classification<sup>7</sup>: G06F 3/00

(21) International Application Number:  
PCT/IB2004/002667

(22) International Filing Date: 13 August 2004 (13.08.2004)

(25) Filing Language: Italian

(26) Publication Language: English

(30) Priority Data:  
TO2003A000640 19 August 2003 (19.08.2003) IT

(71) Applicant and

(72) Inventor: GIUBBOLINI, Luigi [IT/IT]; Via Martiri della Libertà No 122, I-18100 Imperia (IT).

(74) Agent: ROBBA, Pierpaolo; Interpatent S.r.l., Via Caboto, 35, I-10129 Torino (IT).

AT, AU, AZ, BA, BB, BG, BR, BW, BY, BZ, CA, CH, CN, CO, CR, CU, CZ, DE, DK, DM, DZ, EC, EE, EG, ES, FI, GB, GD, GE, GH, GM, HR, HU, ID, IL, IN, IS, JP, KE, KG, KP, KR, KZ, LC, LK, LR, LS, LT, LU, LV, MA, MD, MG, MK, MN, MW, MX, MZ, NA, NI, NO, NZ, OM, PG, PH, PL, PT, RO, RU, SC, SD, SE, SG, SK, SL, SY, TJ, TM, TN, TR, TT, TZ, UA, UG, US, UZ, VC, VN, YU, ZA, ZM, ZW.

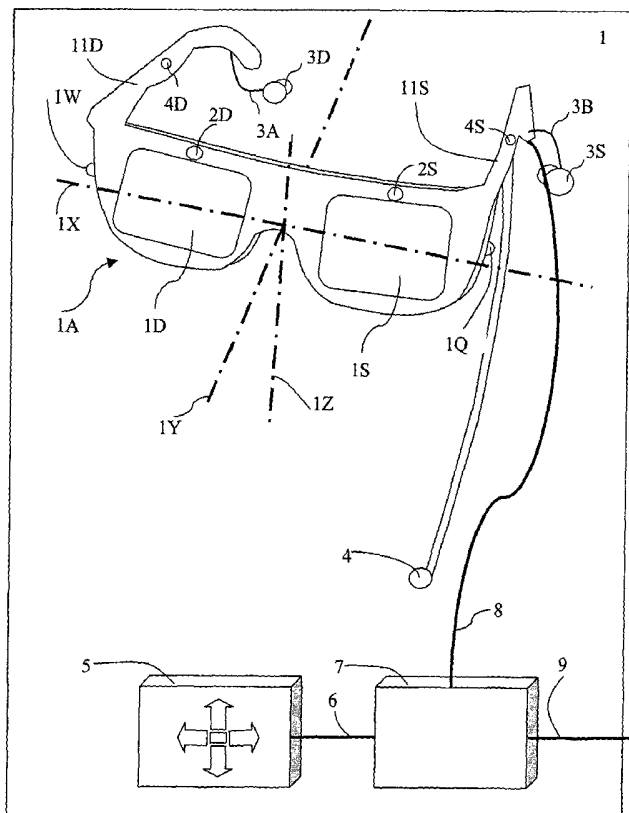
(84) Designated States (unless otherwise indicated, for every kind of regional protection available): ARIPO (BW, GH, GM, KE, LS, MW, MZ, NA, SD, SL, SZ, TZ, UG, ZM, ZW), Eurasian (AM, AZ, BY, KG, KZ, MD, RU, TJ, TM), European (AT, BE, BG, CH, CY, CZ, DE, DK, EE, ES, FI, FR, GB, GR, HU, IE, IT, LU, MC, NL, PL, PT, RO, SE, SI, SK, TR), OAPI (BF, BJ, CF, CG, CI, CM, GA, GN, GQ, GW, ML, MR, NE, SN, TD, TG).

(81) Designated States (unless otherwise indicated, for every kind of national protection available): AE, AG, AL, AM,

Published: — with international search report

[Continued on next page]

(54) Title: INTERFACE METHOD AND DEVICE BETWEEN MAN AND MACHINE REALISED BY MANIPULATING VIRTUAL OBJECTS



(57) Abstract: Interface device (1) with a processing system (59) by manipulating virtual objects, said device comprising display means (1A) wearable on the head of a user and comprising at least one screen (1D, 1S) for making it possible to display at least one virtual object simultaneously with the real scene observed by the user of said device (1), wherein the virtual object is associated to a physical point of the real scene and follows the optical laws of said physical point, in particular appearing or disappearing according to whether the user is observing the physical point associated to the virtual object or not; the invention also concerns a method using said device (1).

WO 2005/017729 A3



— *before the expiration of the time limit for amending the claims and to be republished in the event of receipt of amendments*

*For two-letter codes and other abbreviations, refer to the "Guidance Notes on Codes and Abbreviations" appearing at the beginning of each regular issue of the PCT Gazette.*

**(88) Date of publication of the international search report:**

16 June 2005

## INTERNATIONAL SEARCH REPORT

Inter Application No  
PCT/IB2004/002667

**A. CLASSIFICATION OF SUBJECT MATTER**  
IPC 7 G06F3/00

According to International Patent Classification (IPC) or to both national classification and IPC

**B. FIELDS SEARCHED**

Minimum documentation searched (classification system followed by classification symbols)  
IPC 7 G06F G06T G02B

Documentation searched other than minimum documentation to the extent that such documents are included in the fields searched

Electronic data base consulted during the international search (name of data base and, where practical, search terms used)

EPO-Internal, WPI Data, INSPEC

**C. DOCUMENTS CONSIDERED TO BE RELEVANT**

Category °	Citation of document, with indication, where appropriate, of the relevant passages	Relevant to claim No.
X	US 2002/075286 A1 (YONEZAWA HIROKI ET AL) 20 June 2002 (2002-06-20) abstract paragraph '0001! - paragraph '0020! paragraph '0032! - paragraph '0107! figures 1-11	1-17
X	US 2003/032484 A1 (OHSHIMA TOSHIKAZU ET AL) 13 February 2003 (2003-02-13) paragraph '0001! - paragraph '0070! paragraph '0093! - paragraph '0125! figures 1-8	1-17
	----- -/--	

Further documents are listed in the continuation of box C.

Patent family members are listed in annex.

° Special categories of cited documents :

- \*A\* document defining the general state of the art which is not considered to be of particular relevance
- \*E\* earlier document but published on or after the international filing date
- \*L\* document which may throw doubts on priority claim(s) or which is cited to establish the publication date of another citation or other special reason (as specified)
- \*O\* document referring to an oral disclosure, use, exhibition or other means
- \*P\* document published prior to the international filing date but later than the priority date claimed

- \*T\* later document published after the international filing date or priority date and not in conflict with the application but cited to understand the principle or theory underlying the invention
- \*X\* document of particular relevance; the claimed invention cannot be considered novel or cannot be considered to involve an inventive step when the document is taken alone
- \*Y\* document of particular relevance; the claimed invention cannot be considered to involve an inventive step when the document is combined with one or more other such documents, such combination being obvious to a person skilled in the art.
- \*&\* document member of the same patent family

Date of the actual completion of the international search

14 April 2005

Date of mailing of the international search report

02/05/2005

Name and mailing address of the ISA

European Patent Office, P.B. 5818 Patentlaan 2  
NL - 2280 HV Rijswijk  
Tel. (+31-70) 340-2040, Tx. 31 651 epo nl,  
Fax: (+31-70) 340-3016

Authorized officer

de la Torre, D

## INTERNATIONAL SEARCH REPORT

Inter | Application No  
PCT/IB2004/002667

C.(Continuation) DOCUMENTS CONSIDERED TO BE RELEVANT		
Category *	Citation of document, with indication, where appropriate, of the relevant passages	Relevant to claim No.
A	MATTHIAS M. WLOKA, BRIAN G. ANDERSON: "Resolving Occlusion in Augmented Reality" 12 April 1995 (1995-04-12), PROCEEDINGS OF THE 1995 SYMPOSIUM ON INTERACTIVE 3D GRAPHICS , MONTEREY, CALIFORNIA, USA , XPO02324602 pages 5-12	2,12
A	----- GB 2 376 397 A (* HEWLETT PACKARD COMPANY) 11 December 2002 (2002-12-11) abstract -----	2,12

# INTERNATIONAL SEARCH REPORT

Information on patent family members

Int. Application No  
PCT/IB2004/002667

Patent document cited in search report	Publication date	Patent family member(s)	Publication date
US 2002075286 A1	20-06-2002	JP 2002157607 A	31-05-2002
US 2003032484 A1	13-02-2003	JP 2000350865 A	19-12-2000
GB 2376397 A	11-12-2002	NONE	