



US00D539281S

(12) **United States Design Patent**
Kim et al.

(10) **Patent No.:** **US D539,281 S**

(45) **Date of Patent:** **** *Mar. 27, 2007**

(54) **LCD MONITOR**

D499,729 S * 12/2004 Hou D14/375

(75) Inventors: **Eui Seok Kim**, Seoul (KR); **Sang Il Park**, Seoul (KR)

* cited by examiner

(73) Assignee: **Samsung Electronics Co., Ltd.** (KR)

Primary Examiner—Freda S. Nunn
(74) *Attorney, Agent, or Firm*—Irving Keschner

(*) Notice: This patent is subject to a terminal disclaimer.

(57) **CLAIM**

(**) Term: **14 Years**

The ornamental design for LCD monitor, as shown and described.

(21) Appl. No.: **29/231,728**

DESCRIPTION

(22) Filed: **Jun. 9, 2005**

FIG. 1 is a perspective view of the ornamental design of the present invention;

(30) **Foreign Application Priority Data**

Apr. 14, 2005 (KR) 30-2005-0012520

FIG. 2 is a front elevational view of the ornamental design of the present invention;

(51) **LOC (8) Cl.** **14-02**

FIG. 3 is a rear elevational view of the ornamental design of the present invention;

(52) **U.S. Cl.** **D14/375**

(58) **Field of Classification Search** D14/371–375,
D14/125–129, 356; 349/1, 2, 11, 62; 341/12;
345/104, 156, 168, 173, 87, 1.1, 901–905;
348/180, 184, 325, 739; 248/586, 183.3,
248/917–924

FIG. 4 is a left side elevational view thereof;

FIG. 5 is a right side elevational view of the ornamental design of the present invention;

See application file for complete search history.

FIG. 6 is a top plan view of the ornamental design of the present invention; and,

FIG. 7 is a bottom view of the ornamental design of the present invention.

(56) **References Cited**

U.S. PATENT DOCUMENTS

D469,091 S * 1/2003 Hasegawa et al. D14/375

1 Claim, 3 Drawing Sheets

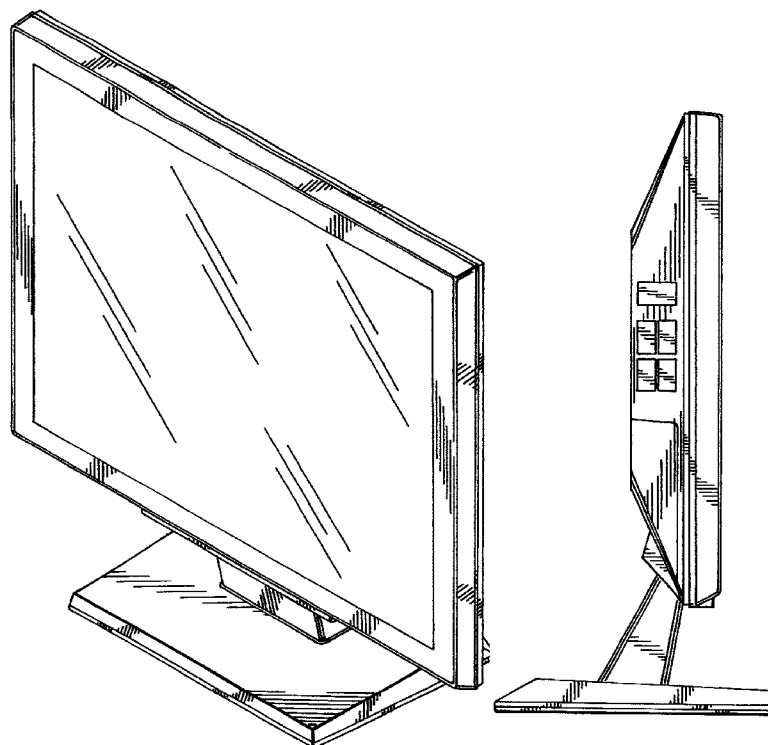


FIG. 1

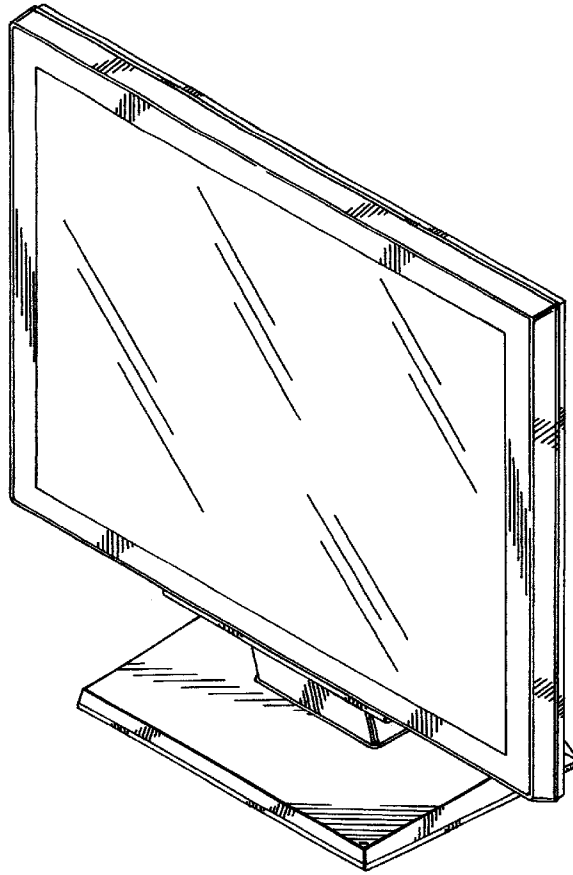


FIG. 2

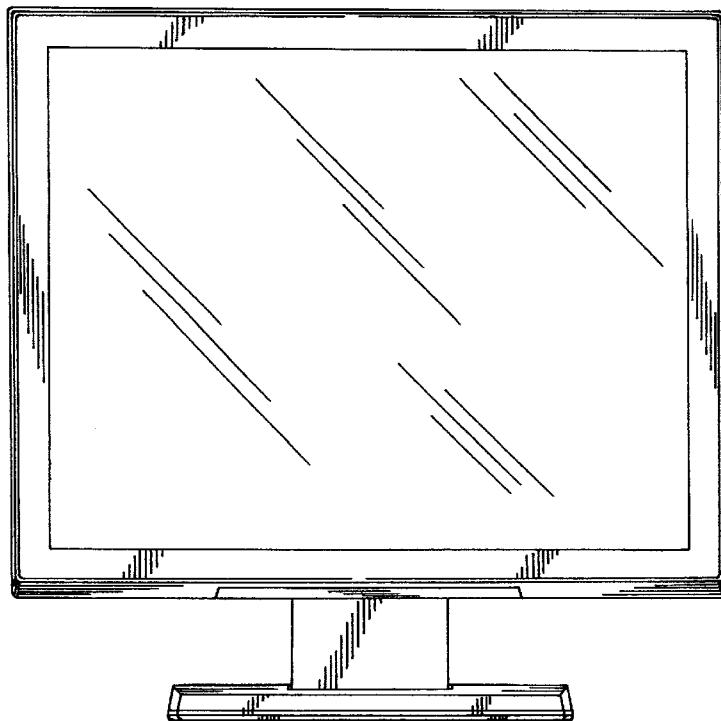


FIG. 3

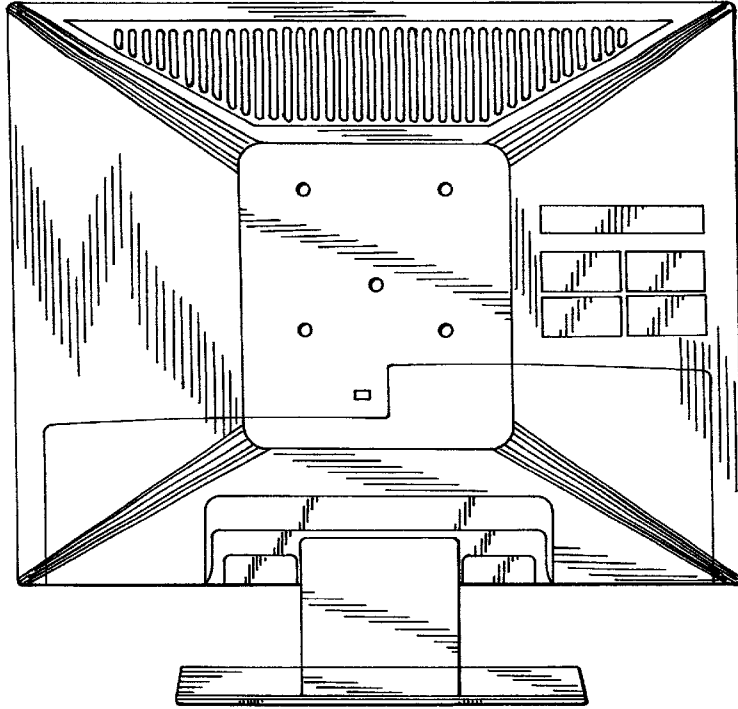


FIG. 4

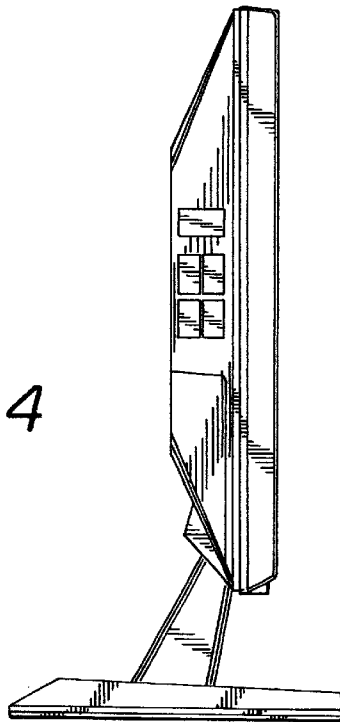


FIG. 5

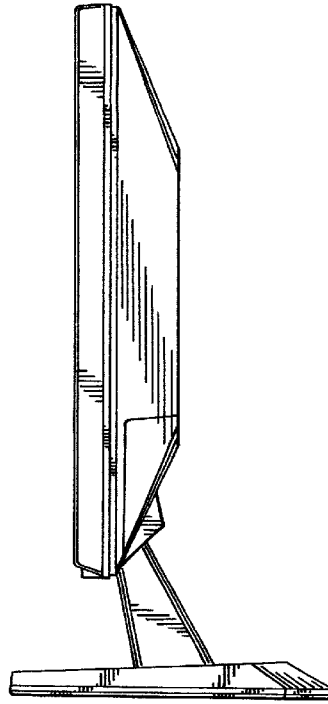


FIG. 6

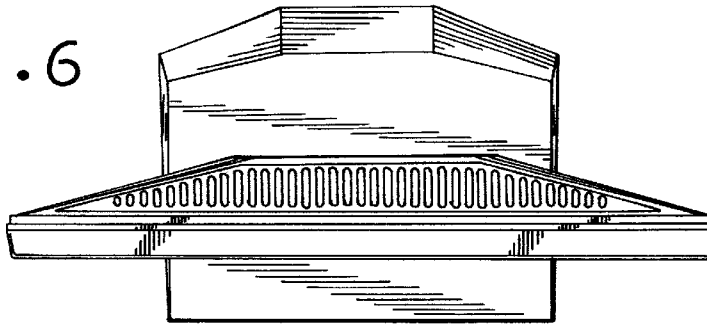


FIG. 7

