

United States Patent [19]

Soeffker et al.

[11] Patent Number: Des. 293,729

[45] Date of Patent: ** Jan. 12, 1988

[54] CARPET CLEANER

[75] Inventors: Eldred E. Soeffker, Plymouth; Lou Rukavina, Falcon Heights, both of Minn.

[73] Assignee: Natural Pleat Sales, Inc., Minneapolis, Minn.

[**] Term: 14 Years

[21] Appl. No.: 778,923

[22] Filed: Sep. 23, 1985

[52] U.S. Cl. D32/22

[58] Field of Search D32/21, 22, 31-34; 15/320, 321, 323, 344, 347, 350, 351

[56] References Cited

U.S. PATENT DOCUMENTS

D. 188,411 7/1960 Gantz D32/22

D. 287,894	1/1987	Watkins et al.	D32/22
2,187,164	1/1940	Leathers	15/350
3,040,362	6/1962	Krammes	15/350
4,559,665	12/1985	Fitzwater	15/320

Primary Examiner—Wallace R. Burke
Assistant Examiner—Ruth Takemoto

[57] CLAIM

The ornamental design for a carpet cleaner, as shown and described.

DESCRIPTION

FIG. 1 is a perspective view of a carpet cleaner showing our new design;
FIG. 2 is a top plan view thereof;
FIG. 3 is a side elevational view thereof, the opposite side being a mirror image;
FIG. 4 is a front elevational view thereof;
FIG. 5 is a rear elevational view thereof; and
FIG. 6 is a bottom plan view thereof.

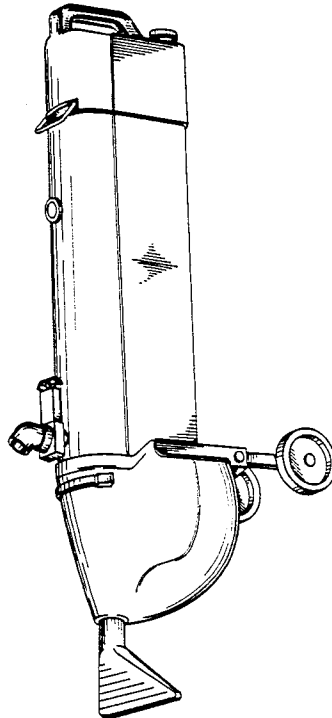


Fig. - 1

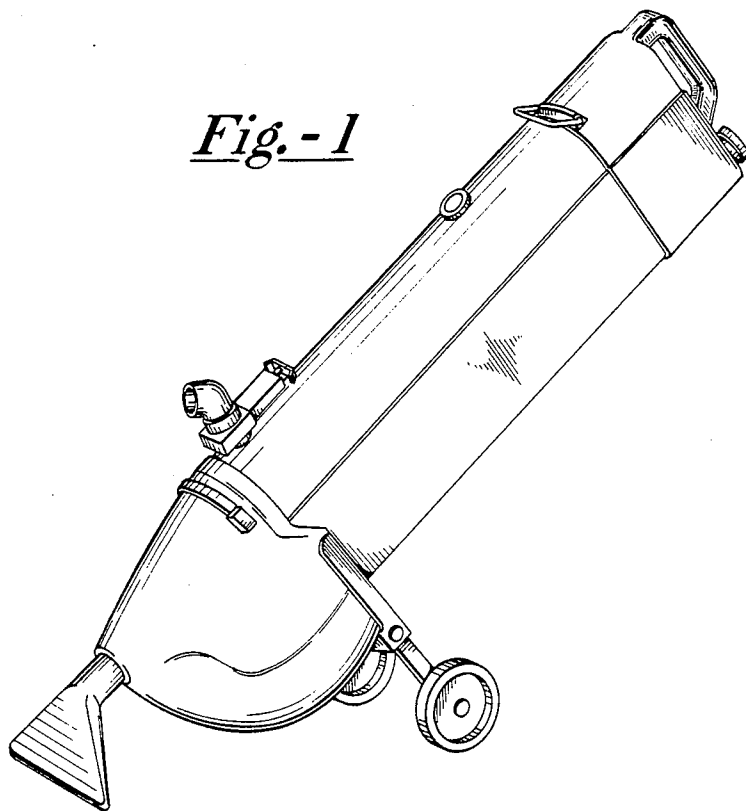


Fig. - 6

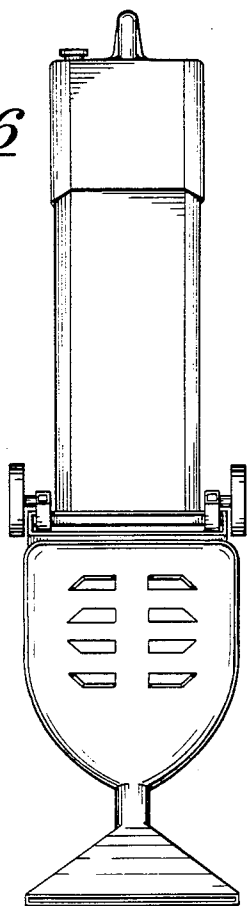


Fig. - 2

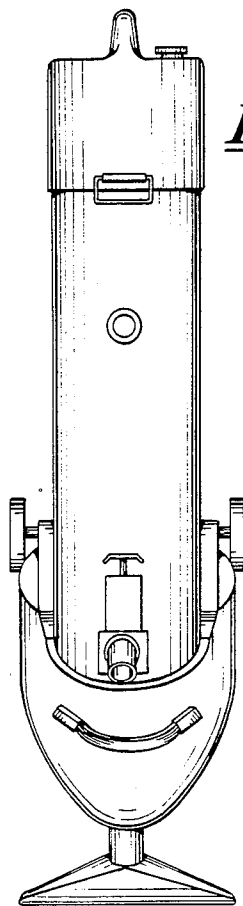


Fig. - 3

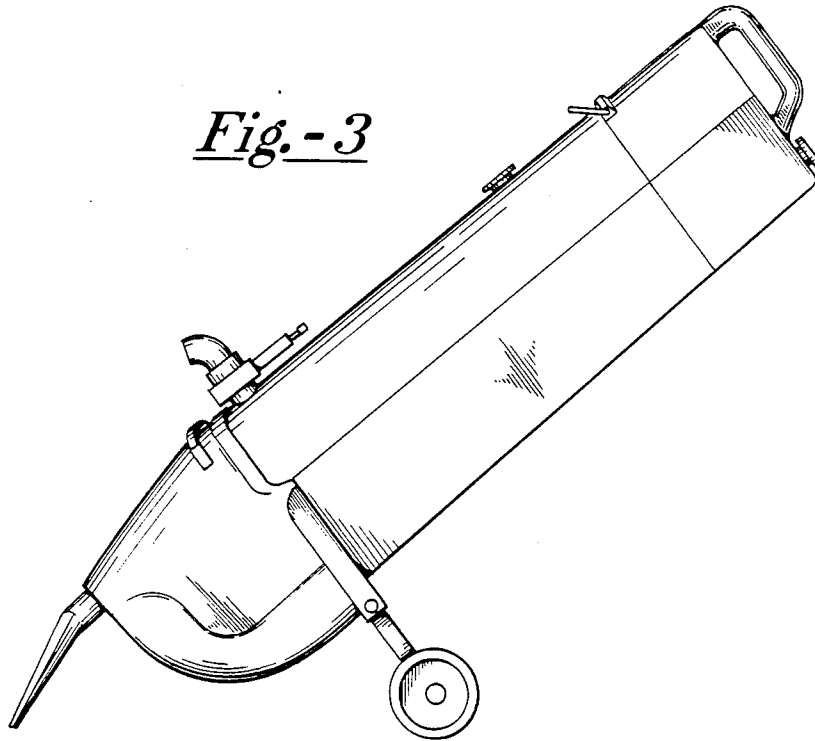


Fig. - 4

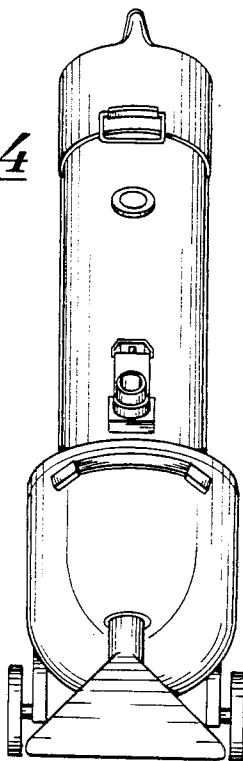


Fig. - 5

