



US00D719015S

(12) **United States Design Patent**
Hengler

(10) **Patent No.:** **US D719,015 S**

(45) **Date of Patent:** **** Dec. 9, 2014**

(54) **DOORSTOP**

(71) Applicant: **Vegas Doorstop Industries, Inc.**, Las Vegas, NV (US)

(72) Inventor: **William J. Hengler**, Boulder City, NV (US)

(73) Assignee: **Vegas Doorstop Industries, Inc.**, Las Vegas, NV (US)

(**) Term: **14 Years**

(21) Appl. No.: **29/465,400**

(22) Filed: **Aug. 27, 2013**

(51) **LOC (10) Cl.** **08-09**

(52) **U.S. Cl.**

USPC **D8/402**

(58) **Field of Classification Search**

CPC . E05F 5/06; E05Y 2900/531; E05Y 2201/21; E05C 17/203; E05C 17/36
USPC D8/307, 322, 395, 400-404, 499, 323, D8/354, 393, 388, 360, 378, 356; D9/456, D9/614, 623, 628, 640, 673; D19/21; D21/385, 401, 418, 426, 430, 441, 447, D21/582; D14/218, 223, 428; 16/71, 82, 83, 16/375, 342, 85, 86 R; D6/552; D11/82, D11/53, 89, 101, 96, 99, 154, 157; 292/343, 292/342, 288; D28/38, 39, 54.1; D7/550.1, D7/637, 691, 693

See application file for complete search history.

(56) **References Cited**

U.S. PATENT DOCUMENTS

83,967 A 11/1868 Horrell
314,105 A 3/1885 Carnes
485,613 A 11/1892 Deane
1,354,046 A 9/1920 Lanning
1,417,281 A 5/1922 Robinson

1,944,101 A 1/1934 Meier
2,049,903 A 8/1936 Flinn
2,487,652 A 11/1949 Heinrich
2,509,502 A 5/1950 Hunt
2,883,226 A 4/1959 Haynes
2,896,791 A 7/1959 Raber
3,786,533 A 1/1974 O'Donnell
D232,650 S * 9/1974 Martin D21/447
3,918,121 A 11/1975 Williams
4,114,234 A 9/1978 Hogenson
D261,224 S * 10/1981 Sanderson, Jr. D8/323
D276,980 S * 1/1985 Ahlund D8/400
D277,728 S * 2/1985 Ahlund D8/400
4,527,303 A 7/1985 Civitelli
4,630,854 A 12/1986 Person et al.
D300,938 S * 5/1989 Delaney D21/447

(Continued)

FOREIGN PATENT DOCUMENTS

DE 2834865 A 2/1980
GB 2382105 A 5/2003
WO WO 8200043 A 1/1982
WO WO 9523905 A1 9/1995

Primary Examiner — Thomas Johannes

Assistant Examiner — Chelsea Sealey

(74) *Attorney, Agent, or Firm* — Greenberg Traurig

(57) **CLAIM**

The ornamental design for a doorstop, as shown and described.

DESCRIPTION

FIG. 1 is an upper perspective view of a doorstop showing my new design

FIG. 2 is a top view thereof;

FIG. 3 is a front view thereof;

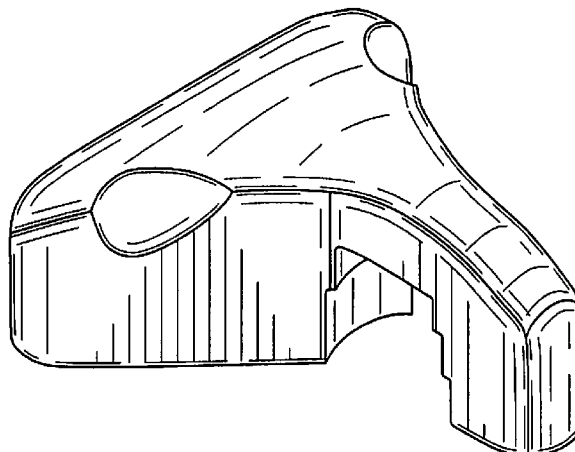
FIG. 4 is a right side view thereof;

FIG. 5 is a left side view thereof;

FIG. 6 is a rear view thereof; and,

FIG. 7 is a bottom view thereof.

1 Claim, 3 Drawing Sheets



(56)

References Cited

U.S. PATENT DOCUMENTS

4,831,688 A 5/1989 Deininger
 D309,708 S 8/1990 Rosa et al.
 5,007,139 A 4/1991 Ahern
 5,027,471 A 7/1991 Barnes
 5,044,681 A 9/1991 Neighbors
 D323,976 S 2/1992 Barnes
 D350,962 S * 9/1994 Reardon et al. D14/218
 5,369,840 A 12/1994 Salvador et al.
 5,450,652 A 9/1995 Webb
 D367,672 S * 3/1996 Hahn D19/49
 5,511,837 A 4/1996 Dempsey et al.
 5,560,080 A 10/1996 Reed
 5,581,844 A 12/1996 Raheb et al.

5,586,793 A 12/1996 Davenport
 5,642,910 A 7/1997 Betherum
 5,711,557 A 1/1998 Nicolsi
 5,727,289 A 3/1998 Reder
 5,732,442 A 3/1998 Haggard
 5,769,437 A 6/1998 Gasperino
 5,881,431 A 3/1999 Pieper et al.
 6,003,911 A 12/1999 Sowash
 6,135,516 A 10/2000 Gasperino
 6,149,212 A 11/2000 Kuntz et al.
 D455,644 S 4/2002 Coffey
 D538,149 S 3/2007 Yarde
 D538,214 S * 3/2007 Conway et al. D12/197
 D608,632 S * 1/2010 Lynch D8/402
 7,904,992 B2 3/2011 Agster et al.

* cited by examiner

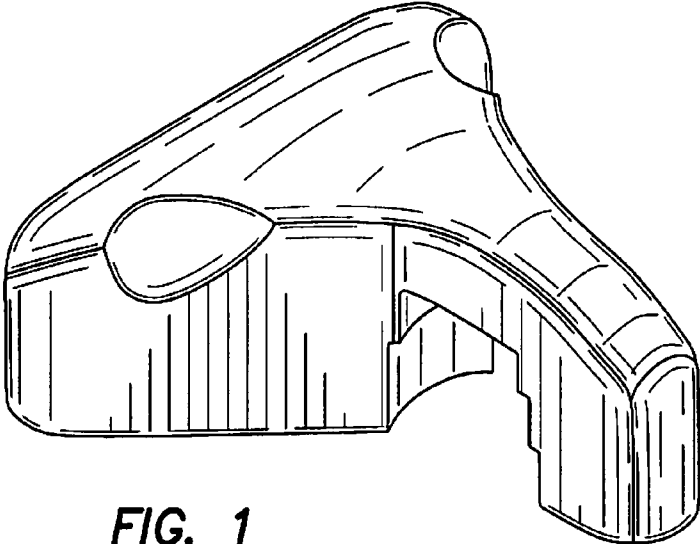


FIG. 1

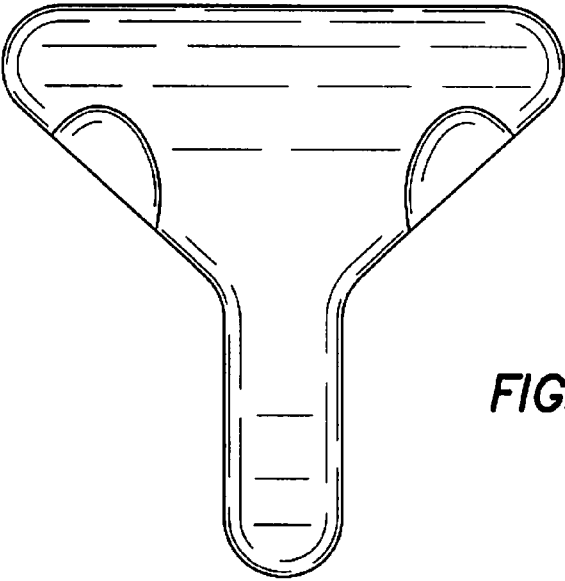


FIG. 2

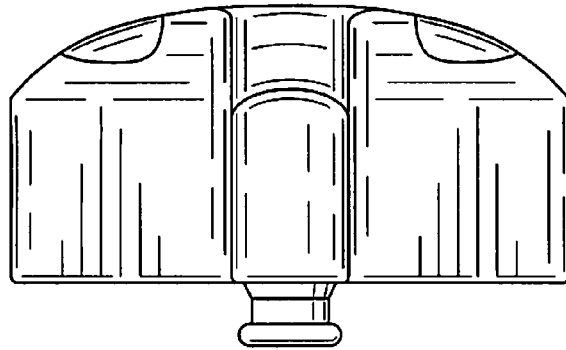


FIG. 3

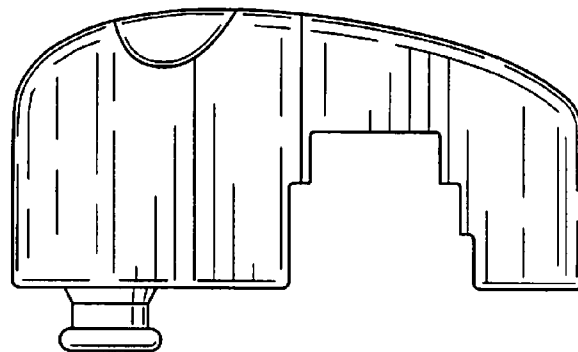


FIG. 4

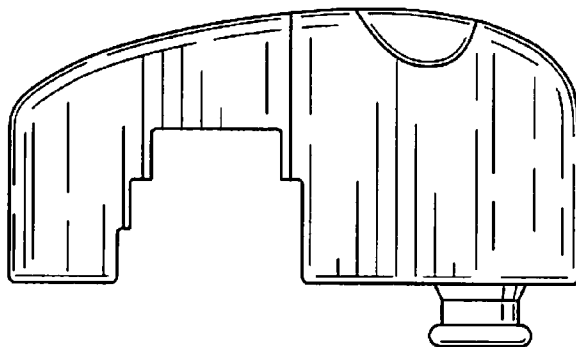


FIG. 5

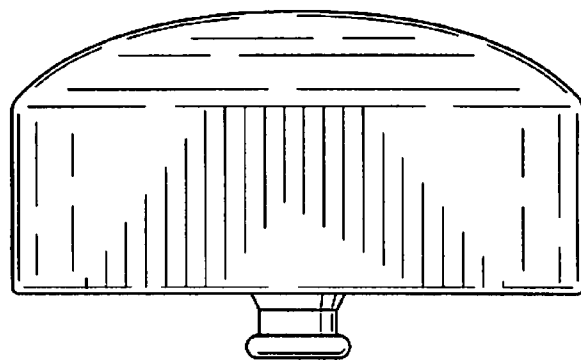


FIG. 6

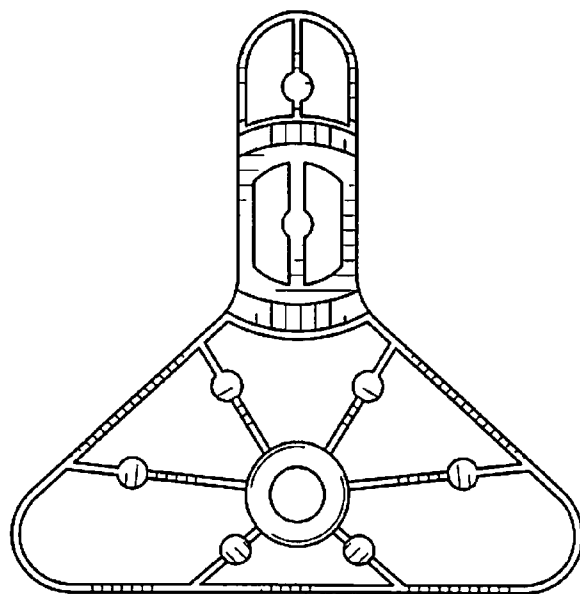


FIG. 7