



US00D732509S

(12) **United States Design Patent**
Brunner et al.

(10) **Patent No.:** **US D732,509 S**

(45) **Date of Patent:** **** Jun. 23, 2015**

- (54) **AUDIO LISTENING SYSTEM**
- (71) Applicant: **Apple Inc.**, Cupertino, CA (US)
- (72) Inventors: **Robert Brunner**, San Francisco, CA (US); **Rhys Bonahoom**, Burlingame, CA (US)
- (73) Assignee: **Apple Inc.**, Cupertino, CA (US)
- (**) Term: **14 Years**
- (21) Appl. No.: **29/493,738**
- (22) Filed: **Jun. 12, 2014**

- D299,344 S 1/1989 Stevens
- D299,454 S 1/1989 Kwong
- D309,306 S 7/1990 Weiser et al.
- D316,550 S 4/1991 Sogabe

(Continued)

FOREIGN PATENT DOCUMENTS

TW D126814 1/2009

OTHER PUBLICATIONS

Search Report dated Oct. 3, 2011 for Taiwanese application No. 099303307.

(Continued)

Related U.S. Application Data

- (63) Continuation of application No. 29/441,335, filed on Jan. 3, 2013, now Pat. No. Des. 707,652.
- (51) **LOC (10) Cl.** **14-01**
- (52) **U.S. Cl.**
USPC **D14/223**
- (58) **Field of Classification Search**
USPC D14/223; 181/129, 130, 135; 379/430, 379/431; 381/380, 381; 455/90.3, 575.1
CPC H04R 1/10
See application file for complete search history.

Primary Examiner — Paula Greene

(74) *Attorney, Agent, or Firm* — Sterne, Kessler, Goldstein & Fox P.L.L.C.

(57) **CLAIM**

The ornamental design for an audio listening system, as shown and described.

DESCRIPTION

FIG. 1 is a front perspective view of an audio listening system showing our new design;
 FIG. 2 is a rear view thereof;
 FIG. 3 is a front view thereof;
 FIG. 4 is a right side perspective view of the earbud of an audio listening system showing our new design, shown separately for purposes of illustration;
 FIG. 5 is left side perspective view thereof;
 FIG. 6 is a rear view thereof;
 FIG. 7 is a front view thereof;
 FIG. 8 is a right side view thereof; and,
 FIG. 9 is a left side view thereof.

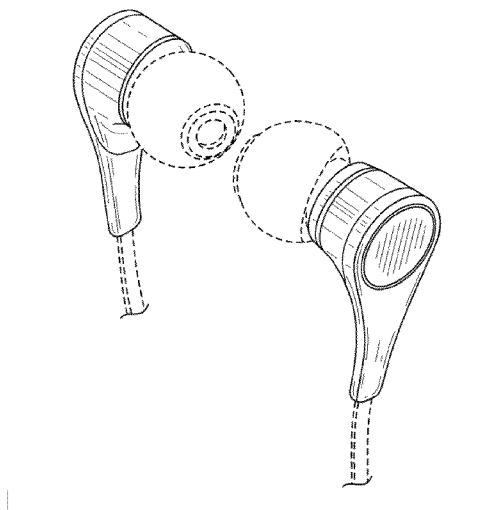
The broken lines within the Figures show portions of the audio listening system that form no part of the claimed design.

(56) **References Cited**

U.S. PATENT DOCUMENTS

- 2,009,390 A 7/1935 Armand
- 2,248,837 A 7/1941 Walters
- 2,430,229 A 11/1947 Kelsey
- 2,474,135 A 6/1949 White
- 2,501,107 A * 3/1950 Volkmann 381/378
- 2,545,731 A 3/1951 French
- 2,739,660 A 3/1956 French
- D233,444 S 10/1974 Christian et al.
- 4,253,452 A 3/1981 Powers et al.
- D270,634 S 9/1983 Ungar
- D276,143 S 10/1984 Williams
- 4,646,872 A 3/1987 Kamon et al.

1 Claim, 4 Drawing Sheets



(56)

References Cited

U.S. PATENT DOCUMENTS

D318,670 S	7/1991	Taniguchi	
D326,655 S *	6/1992	Iribe	D14/192
D326,855 S	6/1992	Bose et al.	
5,179,501 A	1/1993	Ocken et al.	
D334,043 S	3/1993	Taniguchi et al.	
5,410,608 A	4/1995	Lucey et al.	
5,625,171 A	4/1997	Marshall et al.	
5,659,156 A	8/1997	Mauney et al.	
D383,757 S	9/1997	Dobrusskin et al.	
D385,254 S	10/1997	Owusu	
6,084,976 A *	7/2000	Lin	381/380
D430,060 S	8/2000	Kavalek	
D430,146 S *	8/2000	Lin	D14/223
D431,553 S	10/2000	Suzuki	
D443,859 S	6/2001	Hogan	
D457,514 S	5/2002	Marion et al.	
D459,342 S	6/2002	Marion et al.	
D460,749 S	7/2002	Liu	
D463,791 S	10/2002	Nagai et al.	
D470,129 S	2/2003	Hlas et al.	
D475,996 S	6/2003	Skulley	
D481,377 S	10/2003	Eguchi	
D482,348 S	11/2003	Villaverde et al.	
D485,548 S	1/2004	Obata	
6,728,388 B1	4/2004	Nageno et al.	
D508,479 S	8/2005	Okada	
D508,911 S	8/2005	Sanders	
D510,085 S	9/2005	Suzuki	
D510,575 S	10/2005	Leong	
D512,049 S	11/2005	Yang	
D523,846 S *	6/2006	Lee	D14/205
D526,642 S	8/2006	Choe	
D529,901 S	10/2006	Ohta	
D531,169 S	10/2006	Tokioka	
D535,642 S	1/2007	Garcia	
D542,282 S	5/2007	Yoshiyama	
D543,968 S	6/2007	Wong	
D543,972 S	6/2007	Taylor	
D550,657 S	9/2007	Gan	
D554,109 S	10/2007	Ledbetter et al.	
D554,627 S *	11/2007	Gondo	D14/223
D555,152 S *	11/2007	Wang	D14/223
D556,735 S	12/2007	Yeo	
D558,735 S	1/2008	Carr et al.	
D559,837 S	1/2008	Nakano	
D564,495 S	3/2008	Sasaki	
7,349,550 B2	3/2008	Oliveira et al.	
D566,104 S	4/2008	Suzuki	
D566,687 S *	4/2008	Duarte et al.	D14/205
D569,841 S	5/2008	Chung et al.	
D573,977 S *	7/2008	Ledbetter et al.	D14/205
D574,367 S	8/2008	Jaakkola	
D575,772 S	8/2008	Schultz et al.	
D576,154 S	9/2008	Ledbetter et al.	
D578,507 S	10/2008	Ando	
D579,005 S	10/2008	Wilhelmsen	
D579,444 S	10/2008	Ewert	
D582,398 S	12/2008	Nam et al.	
D584,293 S	1/2009	Kim et al.	
D585,881 S	2/2009	Nam et al.	
D587,681 S	3/2009	Yanai	
D589,493 S	3/2009	Densho	
D591,264 S	4/2009	Hong et al.	
D593,075 S	5/2009	Williams et al.	
D594,441 S	6/2009	Lee et al.	
7,551,748 B2	6/2009	Kamo et al.	
D597,084 S	7/2009	Gondo	
D598,901 S *	8/2009	Lee et al.	D14/223
D599,781 S	9/2009	Lee et al.	
D600,675 S	9/2009	Lee et al.	
D601,126 S	9/2009	Christopher et al.	
D602,475 S	10/2009	Martin	
D603,837 S	11/2009	Martin	
D605,628 S	12/2009	Ando	
D606,048 S	12/2009	Soetejo et al.	
D607,875 S	1/2010	Pedersen, II	
7,648,005 B2	1/2010	Leong et al.	
D609,698 S	2/2010	Ng	
7,664,287 B2	2/2010	Neu et al.	
D613,274 S	4/2010	Lee et al.	
D614,168 S	4/2010	Rogers et al.	
7,708,110 B2	5/2010	Leong et al.	
D622,707 S	8/2010	Chen et al.	
D624,529 S	9/2010	Huang	
D626,117 S	10/2010	Lowry	
D627,764 S	11/2010	Tsai et al.	
D628,555 S	12/2010	Ponzio et al.	
D630,179 S	1/2011	Park et al.	
D631,037 S	1/2011	Park et al.	
D631,470 S	1/2011	Yoneyama et al.	
D634,305 S	3/2011	Hoggarth	
D636,763 S	4/2011	Walter et al.	
D637,182 S	5/2011	Lee et al.	
D637,998 S	5/2011	Brunner et al.	
D637,999 S	5/2011	Brunner et al.	
D641,008 S	7/2011	Lee et al.	
D641,010 S	7/2011	Kwon	
D641,736 S	7/2011	Brunner et al.	
D642,163 S	7/2011	Lee et al.	
D643,414 S	8/2011	Lee et al.	
D643,416 S	8/2011	Chong et al.	
D643,417 S	8/2011	Lee et al.	
D643,418 S	8/2011	Lee et al.	
D643,833 S	8/2011	Lee et al.	
8,068,633 B2	11/2011	Lee et al.	
D652,817 S	1/2012	Lee et al.	
D652,822 S	1/2012	Lee et al.	
D658,157 S	4/2012	McManigal	
D666,996 S	9/2012	Hardi et al.	
D673,531 S	1/2013	Lee et al.	
D676,026 S	2/2013	Lee et al.	
D678,251 S	3/2013	Cantoni et al.	
8,391,536 B2 *	3/2013	Hashimoto	381/380
D679,267 S	4/2013	Lee et al.	
D683,332 S	5/2013	Lee et al.	
D686,597 S	7/2013	Lee et al.	
D689,471 S	9/2013	Hardi et al.	
8,660,287 B2 *	2/2014	Stephenson	381/370
D707,652 S	6/2014	Brunner et al.	
2011/0051979 A1	3/2011	Lee et al.	

OTHER PUBLICATIONS

- U.S. Appl. No. 29/365,975, filed Jul. 16, 2010 (Inventor: Noel Lee et al).
- Unpublished pending U.S. Appl. No. 29/457,923, filed Jun. 13, 2013 a copy of which is not being furnished herewith, pursuant to the Commissioner's Notice dated Sep. 21, 2004.
- Unpublished pending U.S. Appl. No. 29/441,334, filed Jan. 3, 2013 a copy of which is not being furnished herewith, pursuant to the Commissioner's Notice dated Sep. 21, 2004.
- Unpublished pending U.S. Appl. No. 29/496,755, filed Jul. 16, 2014 a copy of which is not being furnished herewith, pursuant to the Commissioner's Notice dated Sep. 21, 2004.
- Unpublished pending U.S. Appl. No. 29/490,932, filed May 15, 2014 a copy of which is not being furnished herewith, pursuant to the Commissioner's Notice dated Sep. 21, 2004.
- Unpublished pending U.S. Appl. No. 29/490,934, filed May 15, 2014 a copy of which is not being furnished herewith, pursuant to the Commissioner's Notice dated Sep. 21, 2004.
- Unpublished pending U.S. Appl. No. 29/490,936, filed May 15, 2014 a copy of which is not being furnished herewith, pursuant to the Commissioner's Notice dated Sep. 21, 2004.

* cited by examiner

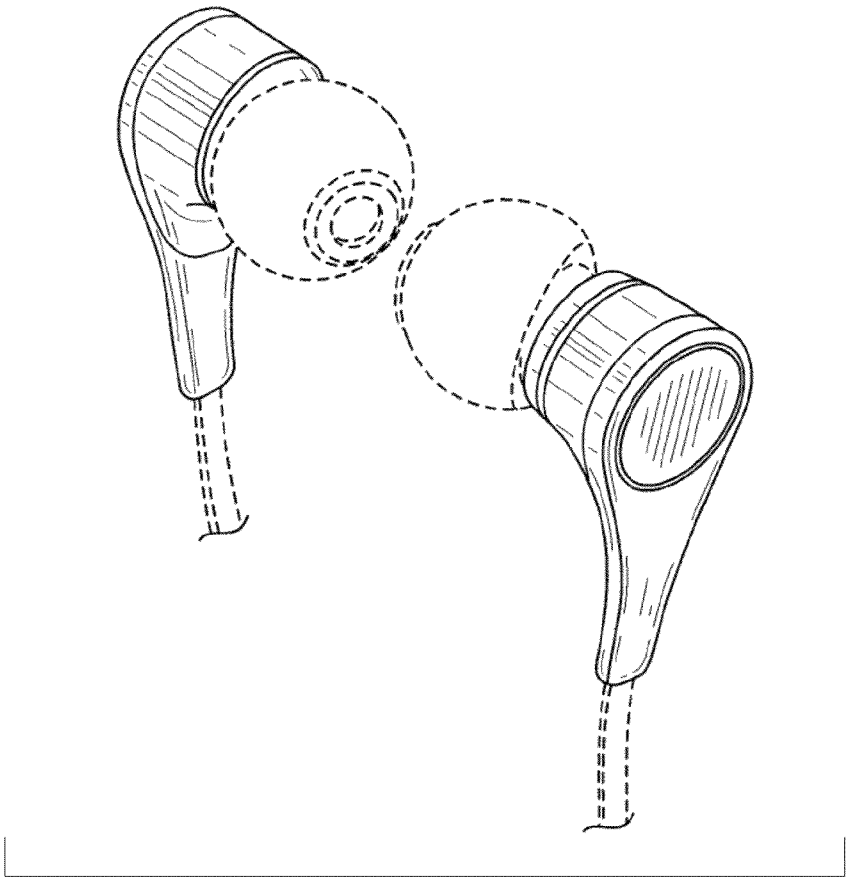


FIG. 1

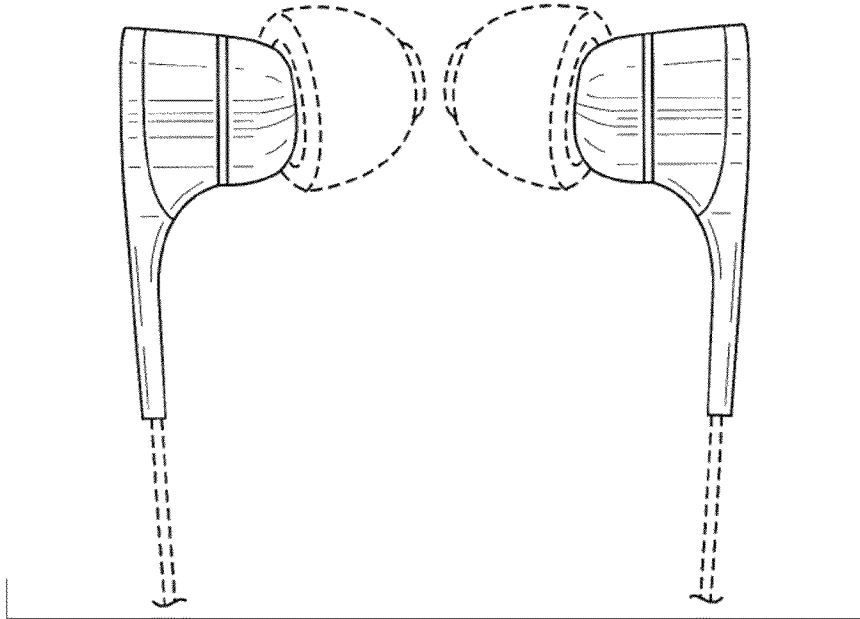


FIG. 2

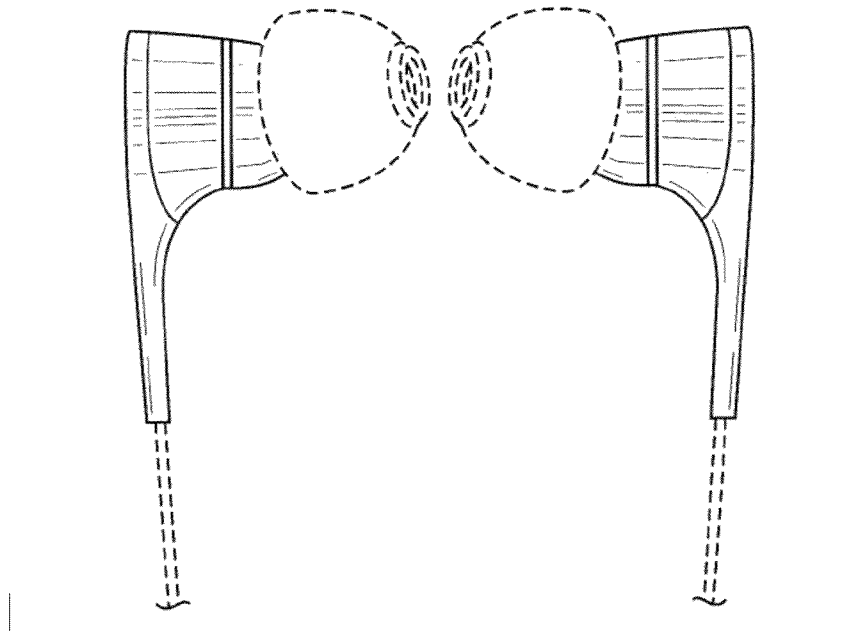


FIG. 3

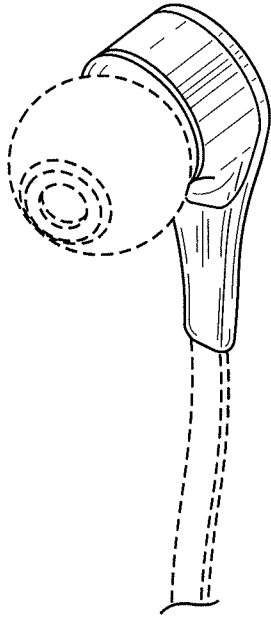


FIG. 4

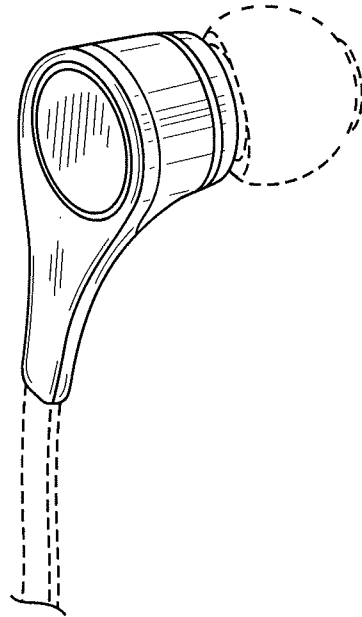


FIG. 5

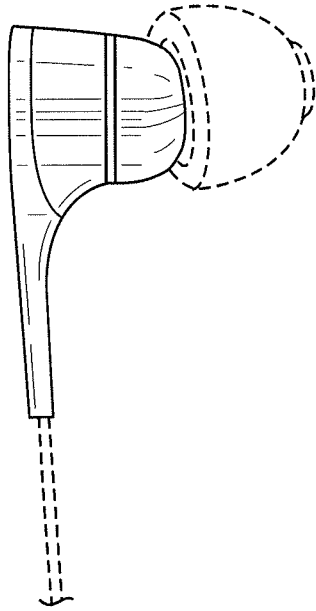


FIG. 6

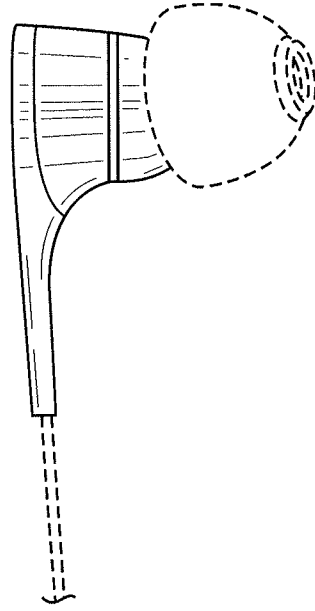


FIG. 7

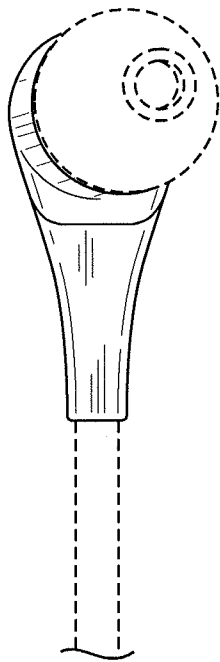


FIG. 8

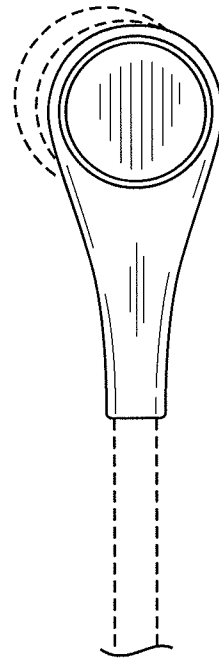


FIG. 9