



US00D744957S

(12) **United States Design Patent**
Tal

(10) **Patent No.:** **US D744,957 S**

(45) **Date of Patent:** **** Dec. 8, 2015**

(54) **QUAD SMALL FORM-FACTOR PLUGGABLE EXTRACTION LATCH DESIGN FOR AOC**

Primary Examiner — Daniel Bui

(74) *Attorney, Agent, or Firm* — Mark M. Friedman

(71) Applicant: **MELLANOX TECHNOLOGIES, LTD.**, Yokneam (IL)

(57) **CLAIM**

The ornamental design for a quad small form-factor pluggable extraction latch design for AOC, as shown and described.

(72) Inventor: **Miki Tal**, Zur Yitzhak (IL)

(73) Assignee: **MELLANOX TECHNOLOGIES LTD.**, Yokneam (IL)

DESCRIPTION

(**) Term: **14 Years**

FIG. 1 is a top perspective view of a quad small form-factor pluggable extraction latch design for AOC, showing my new design;

(21) Appl. No.: **29/481,151**

FIG. 2 is an enlarged view of area 2 in FIG. 1 thereof;

(22) Filed: **Feb. 2, 2014**

FIG. 3 is a side elevation view thereof;

(51) **LOC (10) Cl.** **13-03**

FIG. 4 is a top elevation view thereof;

(52) **U.S. Cl.**

FIG. 5 is an enlarged view of area 5 in FIG. 4 thereof;

USPC **D13/154**

FIG. 6 is a top perspective view of the environment thereof;

(58) **Field of Classification Search**

FIG. 7 is a side elevation view of the environment thereof;

USPC D13/147, 154, 184, 199

FIG. 8 is a top elevation view of the environment thereof; and,

See application file for complete search history.

FIG. 9 is a top elevation of the quad small form-factor pluggable extraction latch design for AOC thereof, in use condition with environment.

(56)

References Cited

The broken lines in the drawing views is for illustration unclaimed environment only, and forms no parts of the claimed design.

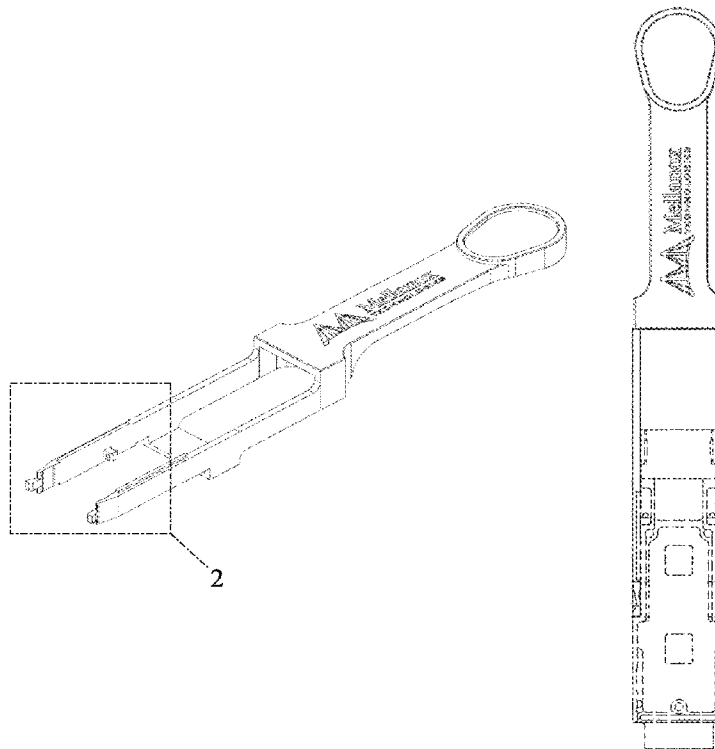
U.S. PATENT DOCUMENTS

The wordings and the logo shown in FIGS. 1, 3 and 7 forming part of the claimed design, are registered trademarks owned by Mellanox Technologies, Inc.

D475,013 S *	5/2003	Grimm	D13/133
D599,300 S *	9/2009	Ohshima et al.	D13/154
D654,434 S *	2/2012	Ishigami et al.	D13/123
2014/0348468 A1 *	11/2014	Lagziel et al.	385/78

* cited by examiner

1 Claim, 7 Drawing Sheets



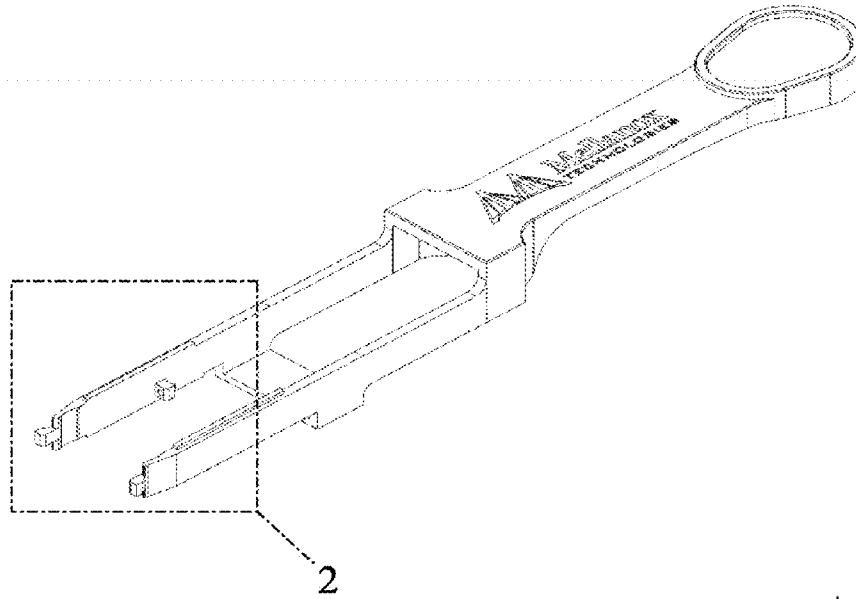


FIG. 1

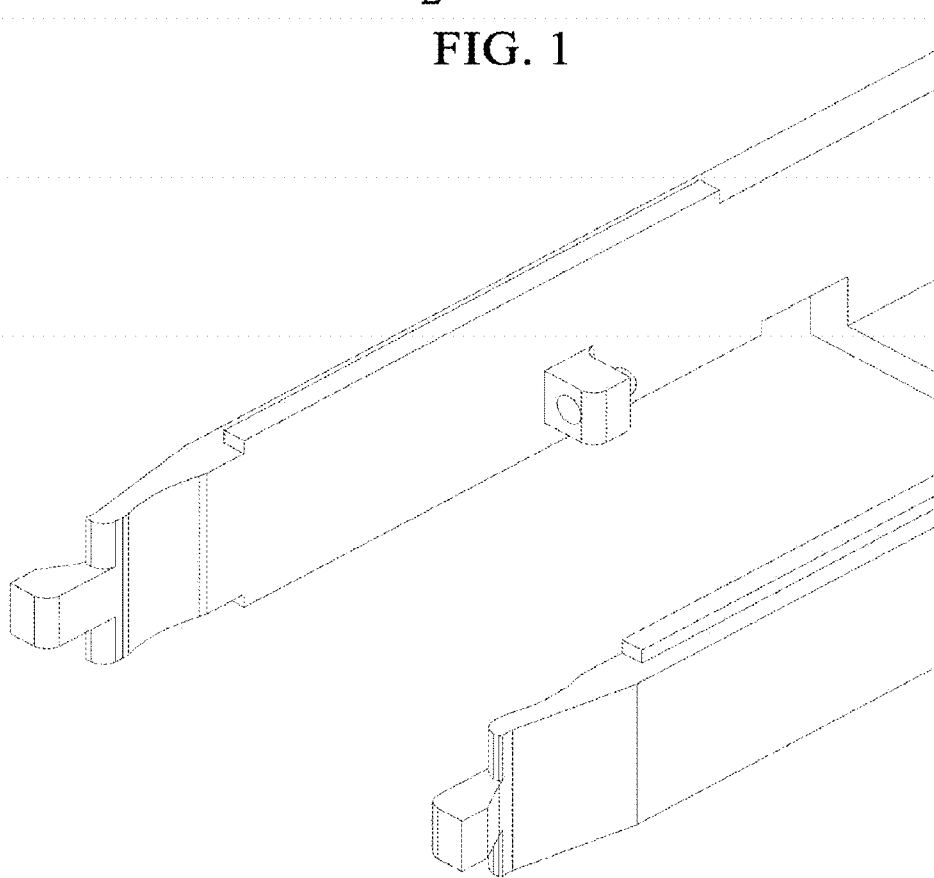


FIG. 2

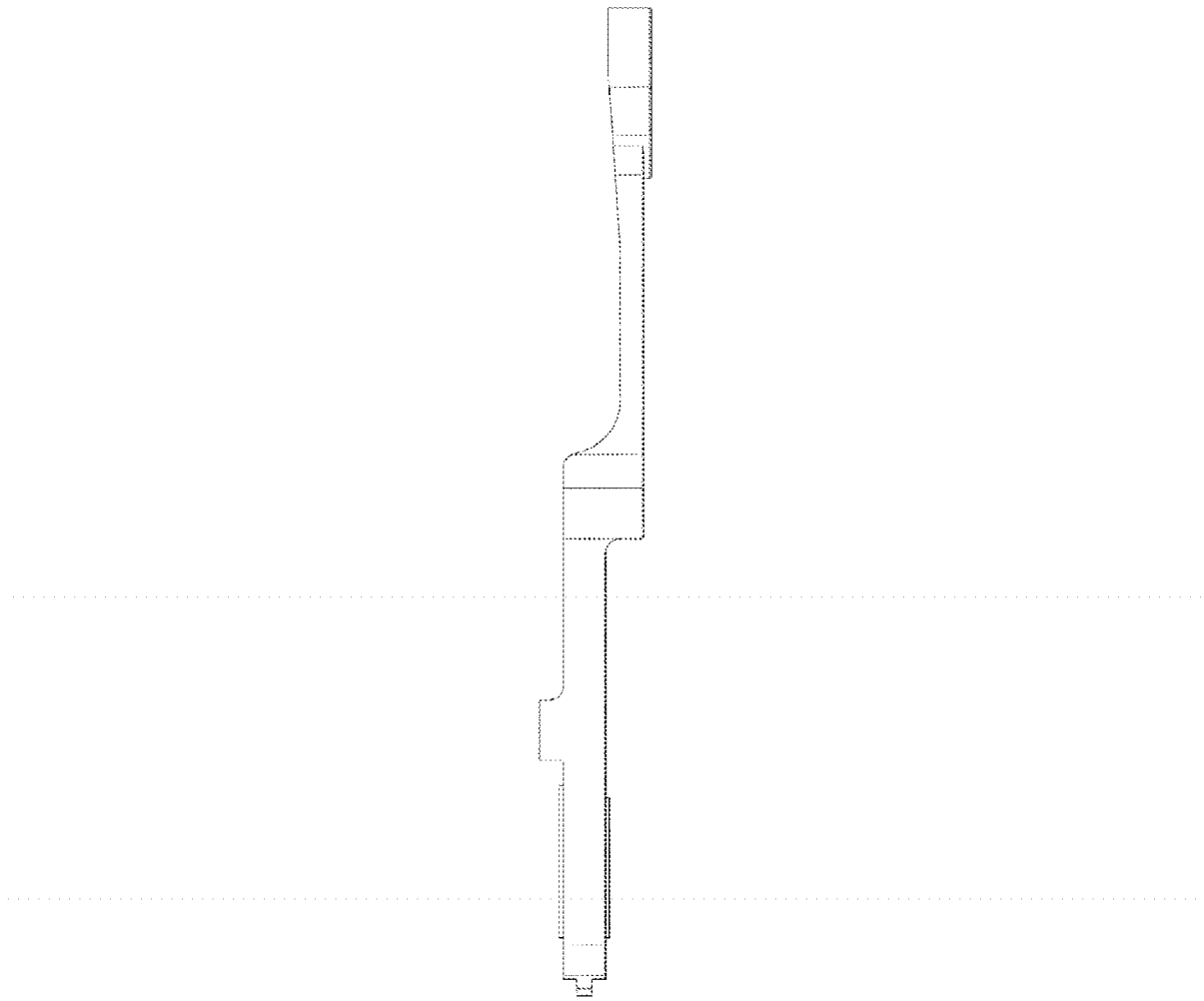


FIG. 3

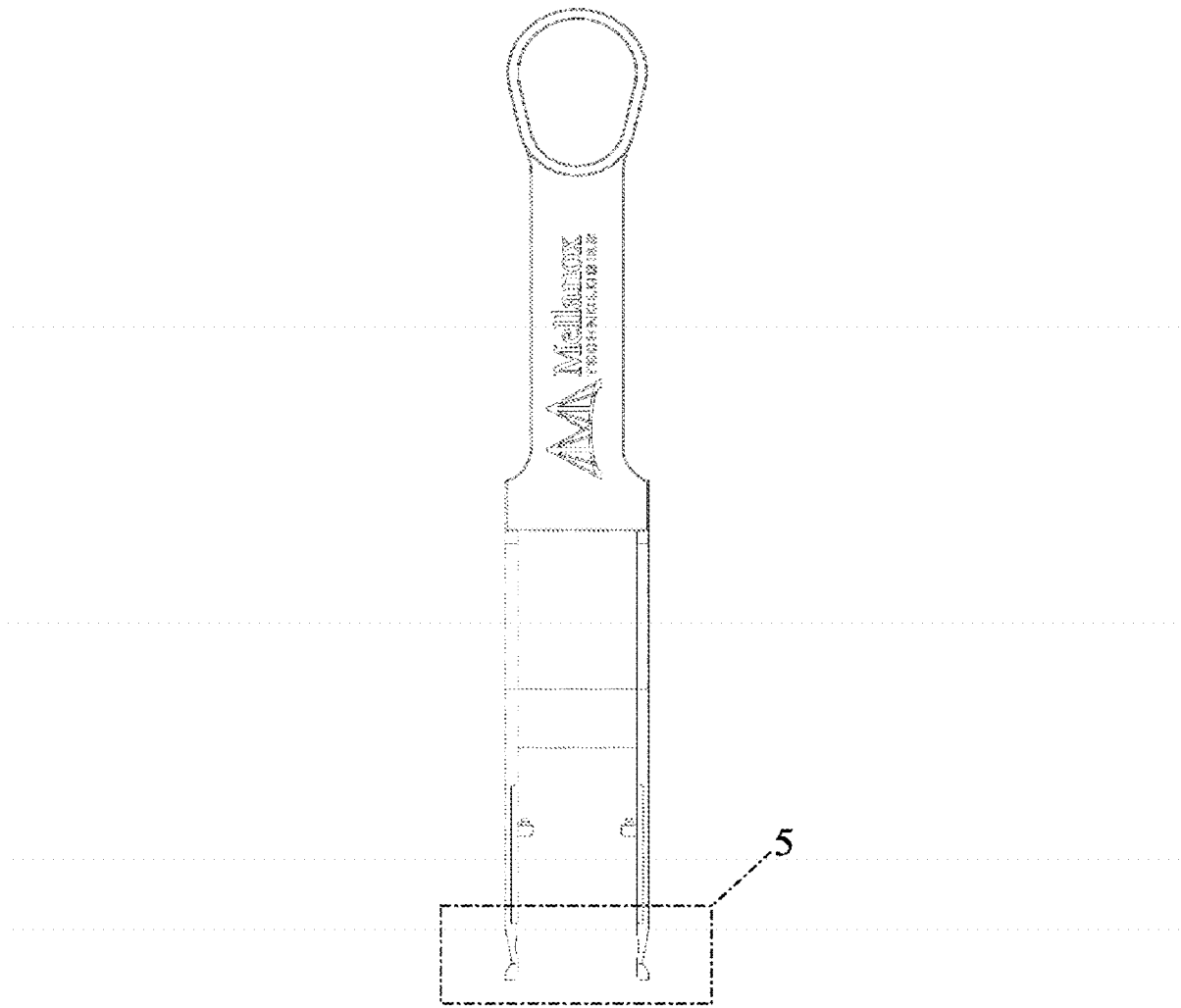


FIG. 4

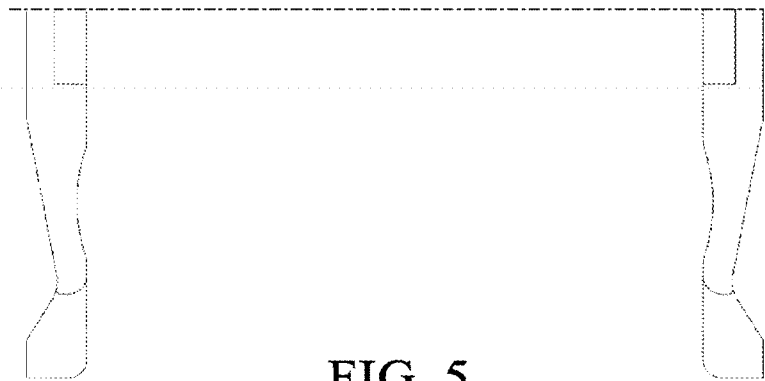


FIG. 5

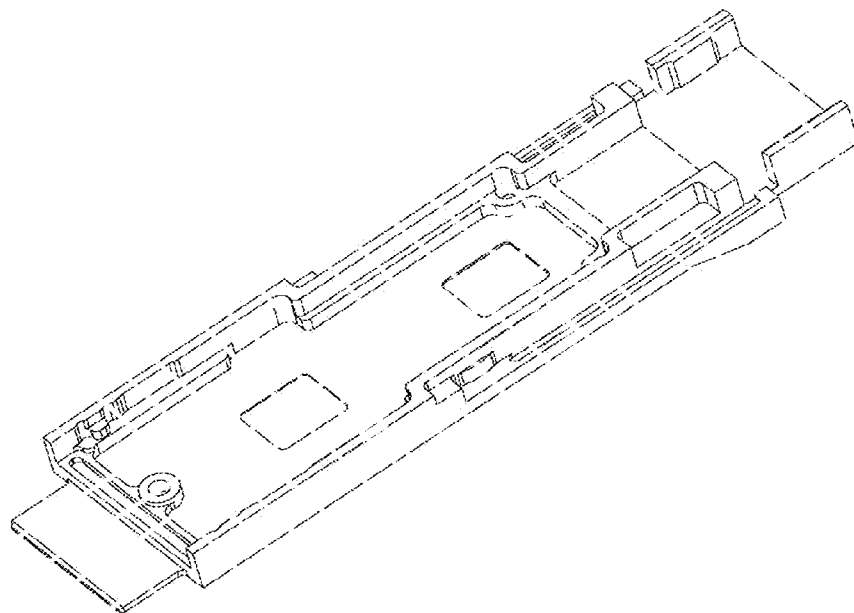


FIG. 6

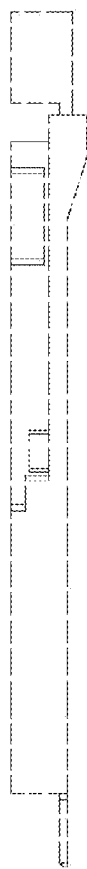


FIG. 7

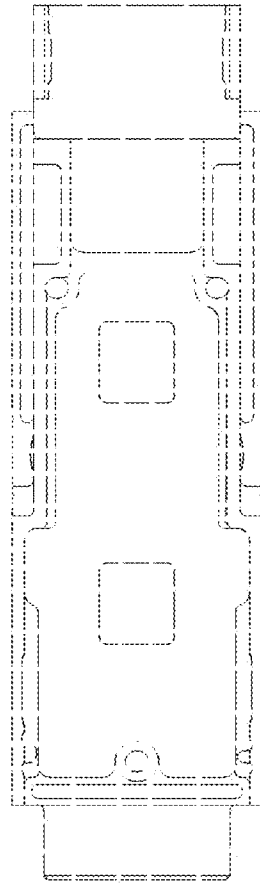


FIG. 8

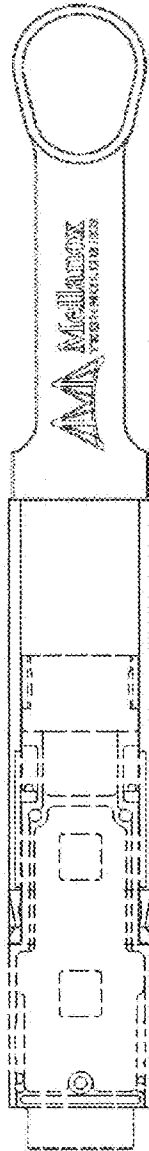


FIG. 9