



(51) International Patent Classification:

E05B 63/08 (2006.01) *E05B 63/20* (2006.01)
E05B 63/00 (2006.01) *E05B 65/10* (2006.01)

(21) International Application Number:

PCT/US2011/026945

(22) International Filing Date:

3 March 2011 (03.03.2011)

(25) Filing Language:

English

(26) Publication Language:

English

(30) Priority Data:

201010129888.0 4 March 2010 (04.03.2010) CN

(71) Applicant (for all designated States except US): **MUL-T-LOCK TECHNOLOGIES LTD.** [IL/IL]; PO Box 637, 81104 Yavne (IL).

(71) Applicant (for VC only): **KLEIN, David** [US/IL]; 2 Hagana Street, 76210 Rehovot (IL).

(72) Inventors; and

(75) Inventors/Applicants (for US only): **MATYKO, Adalbert** [IL/IL]; 28 Shderot Tel Chai, 77510 Ashdod (IL). **NOTKIN, Leon** [IL/IL]; 4 Meltzer Street, 76285 Rehovot (IL).

(74) Agent: **KLEIN, David**; Beit HaRof'im, 18 Menuha Ve-Nahala Street, Room 27, 76209 Rehovot (IL).

(81) Designated States (unless otherwise indicated, for every kind of national protection available): AE, AG, AL, AM,

[Continued on next page]

(54) Title: MORTISE LOCK WITH SELECTABLE FUNCTIONS

(57) Abstract: A mortise lock (10) including a case (12), a latch bolt (16), at least one locking bolt (18), and a spindle hub (24) mechanically linked to the latch bolt (16) by a latch follower (26) for retracting the latch bolt (16) by rotation of the spindle hub (24), characterised by an activation receiver (54) for slam-lock operation and an activation receiver (56) for emergency operation.



WO 2011/109573 A3

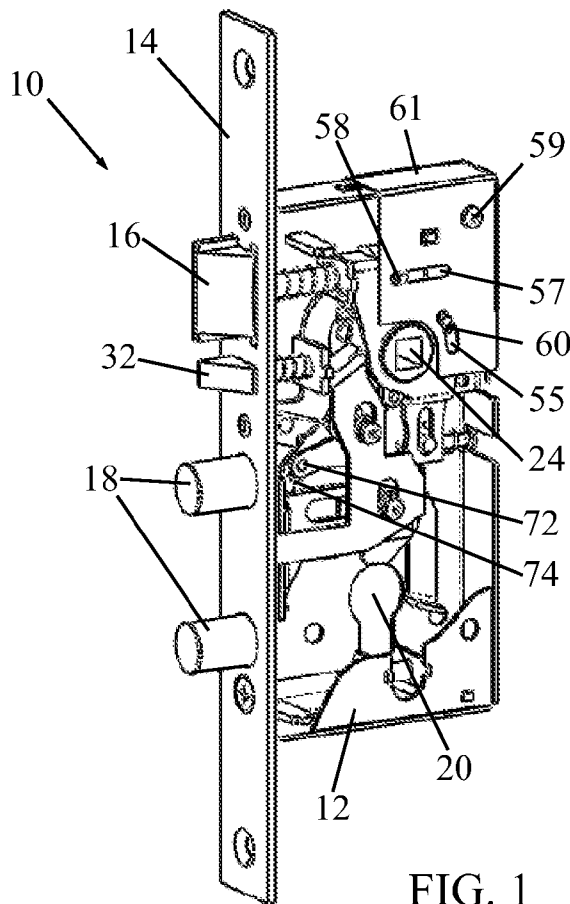


FIG. 1



AO, AT, AU, AZ, BA, BB, BG, BH, BR, BW, BY, BZ, CA, CH, CL, CN, CO, CR, CU, CZ, DE, DK, DM, DO, DZ, EC, EE, EG, ES, FI, GB, GD, GE, GH, GM, GT, HN, HR, HU, ID, IL, IN, IS, JP, KE, KG, KM, KN, KP, KR, KZ, LA, LC, LK, LR, LS, LT, LU, LY, MA, MD, ME, MG, MK, MN, MW, MX, MY, MZ, NA, NG, NI, NO, NZ, OM, PE, PG, PH, PL, PT, RO, RS, RU, SC, SD, SE, SG, SK, SL, SM, ST, SV, SY, TH, TJ, TM, TN, TR, TT, TZ, UA, UG, US, UZ, VC, VN, ZA, ZM, ZW.

(84) Designated States (unless otherwise indicated, for every kind of regional protection available): ARIPO (BW, GH, GM, KE, LR, LS, MW, MZ, NA, SD, SL, SZ, TZ, UG, ZM, ZW), Eurasian (AM, AZ, BY, KG, KZ, MD, RU, TJ, TM), European (AL, AT, BE, BG, CH, CY, CZ, DE, DK,

EE, ES, FI, FR, GB, GR, HR, HU, IE, IS, IT, LT, LU, LV, MC, MK, MT, NL, NO, PL, PT, RO, RS, SE, SI, SK, SM, TR), OAPI (BF, BJ, CF, CG, CI, CM, GA, GN, GQ, GW, ML, MR, NE, SN, TD, TG).

Published:

- with international search report (Art. 21(3))
- before the expiration of the time limit for amending the claims and to be republished in the event of receipt of amendments (Rule 48.2(h))

(88) Date of publication of the international search report:

26 April 2012

INTERNATIONAL SEARCH REPORT

International application No
PCT/US2011/026945

| A. CLASSIFICATION OF SUBJECT MATTER INV. E05B63/08 E05B63/00 E05B63/20 E05B65/10 ADD. | | |
|--|--|--|
| According to International Patent Classification (IPC) or to both national classification and IPC | | |
| B. FIELDS SEARCHED | | |
| Minimum documentation searched (classification system followed by classification symbols) E05B | | |
| Documentation searched other than minimum documentation to the extent that such documents are included in the fields searched | | |
| Electronic data base consulted during the international search (name of data base and, where practical, search terms used) EPO-Internal | | |
| C. DOCUMENTS CONSIDERED TO BE RELEVANT | | |
| Category* | Citation of document, with indication, where appropriate, of the relevant passages | Relevant to claim No. |
| A | EP 1 431 481 A2 (GEZE GMBH) 23 June 2004 (2004-06-23) paragraph [0031]; figures ----- | 1 |
| A | US 2009/151407 A1 (LIN) 18 June 2009 (2009-06-18) paragraph [0033] ----- | 1 |
| A | EP 2 151 536 A2 (ISEO SERRATURE SPA) 10 February 2010 (2010-02-10) the whole document ----- | 1 |
| A | EP 0 668 425 A1 (HELLMÜLLER & ZINGG AG) 23 August 1995 (1995-08-23) abstract ----- | 1 |
| | -/-- | |
| <input checked="" type="checkbox"/> Further documents are listed in the continuation of Box C. <input checked="" type="checkbox"/> See patent family annex. | | |
| * Special categories of cited documents : | | |
| <p>"A" document defining the general state of the art which is not considered to be of particular relevance</p> <p>"E" earlier document but published on or after the international filing date</p> <p>"L" document which may throw doubts on priority claim(s) or which is cited to establish the publication date of another citation or other special reason (as specified)</p> <p>"O" document referring to an oral disclosure, use, exhibition or other means</p> <p>"P" document published prior to the international filing date but later than the priority date claimed</p> | | <p>"T" later document published after the international filing date or priority date and not in conflict with the application but cited to understand the principle or theory underlying the invention</p> <p>"X" document of particular relevance; the claimed invention cannot be considered novel or cannot be considered to involve an inventive step when the document is taken alone</p> <p>"Y" document of particular relevance; the claimed invention cannot be considered to involve an inventive step when the document is combined with one or more other such documents, such combination being obvious to a person skilled in the art.</p> <p>"&" document member of the same patent family</p> |
| Date of the actual completion of the international search | Date of mailing of the international search report | |
| 25 August 2011 | 05/03/2012 | |
| Name and mailing address of the ISA/ European Patent Office, P.B. 5818 Patentlaan 2 NL - 2280 HV Rijswijk Tel. (+31-70) 340-2040, Fax: (+31-70) 340-3016 | Authorized officer Van Beurden, Jason | |

INTERNATIONAL SEARCH REPORT

International application No
PCT/US2011/026945

| C(Continuation). DOCUMENTS CONSIDERED TO BE RELEVANT | | |
|--|--|-----------------------|
| Category* | Citation of document, with indication, where appropriate, of the relevant passages | Relevant to claim No. |
| A | WO 2007/000763 A1 (GOLTEK MIGON) 4 January 2007 (2007-01-04) page 18 - page 19, line 21 ----- | 1 |
| A,P | WO 2010/085132 A1 (JONCEVSKI) 29 July 2010 (2010-07-29) the whole document ----- | 1 |

INTERNATIONAL SEARCH REPORT

International application No.
PCT/US2011/026945

Box No. II Observations where certain claims were found unsearchable (Continuation of item 2 of first sheet)

This international search report has not been established in respect of certain claims under Article 17(2)(a) for the following reasons:

1. Claims Nos.:
because they relate to subject matter not required to be searched by this Authority, namely:

2. Claims Nos.:
because they relate to parts of the international application that do not comply with the prescribed requirements to such an extent that no meaningful international search can be carried out, specifically:

3. Claims Nos.:
because they are dependent claims and are not drafted in accordance with the second and third sentences of Rule 6.4(a).

Box No. III Observations where unity of invention is lacking (Continuation of item 3 of first sheet)

This International Searching Authority found multiple inventions in this international application, as follows:

see additional sheet

1. As all required additional search fees were timely paid by the applicant, this international search report covers all searchable claims.

2. As all searchable claims could be searched without effort justifying an additional fees, this Authority did not invite payment of additional fees.

3. As only some of the required additional search fees were timely paid by the applicant, this international search report covers only those claims for which fees were paid, specifically claims Nos.:

4. No required additional search fees were timely paid by the applicant. Consequently, this international search report is restricted to the invention first mentioned in the claims; it is covered by claims Nos.:

1-11

Remark on Protest

- The additional search fees were accompanied by the applicant's protest and, where applicable, the payment of a protest fee.
- The additional search fees were accompanied by the applicant's protest but the applicable protest fee was not paid within the time limit specified in the invitation.
- No protest accompanied the payment of additional search fees.

FURTHER INFORMATION CONTINUED FROM PCT/ISA/ 210

This International Searching Authority found multiple (groups of) inventions in this international application, as follows:

1. claims: 1-11

Mortise lock with selectable functions

2. claim: 12

Mortise lock with locking bolt also functioning as a deadbolt

INTERNATIONAL SEARCH REPORT

Information on patent family members

International application No

PCT/US2011/026945

| Patent document cited in search report | Publication date | Patent family member(s) | Publication date |
|--|------------------|-------------------------|------------------|
| EP 1431481 | A2 | 23-06-2004 | NONE |
| | | AT 470036 T | 15-06-2010 |
| | | DE 10261129 A1 | 01-07-2004 |
| | | DK 1431481 T3 | 04-10-2010 |
| | | EP 1431481 A2 | 23-06-2004 |
| | | ES 2344688 T3 | 03-09-2010 |
| | | PT 1431481 E | 21-06-2010 |
| ----- | | | |
| US 2009151407 | A1 | 18-06-2009 | NONE |
| ----- | | | |
| EP 2151536 | A2 | 10-02-2010 | NONE |
| ----- | | | |
| EP 0668425 | A1 | 23-08-1995 | NONE |
| | | AT 164909 T | 15-04-1998 |
| | | DE 59405638 D1 | 14-05-1998 |
| | | EP 0668425 A1 | 23-08-1995 |
| | | ES 2115191 T3 | 16-06-1998 |
| ----- | | | |
| WO 2007000763 | A1 | 04-01-2007 | NONE |
| | | US 2009078011 A1 | 26-03-2009 |
| | | WO 2007000763 A1 | 04-01-2007 |
| ----- | | | |
| WO 2010085132 | A1 | 29-07-2010 | NONE |
| ----- | | | |