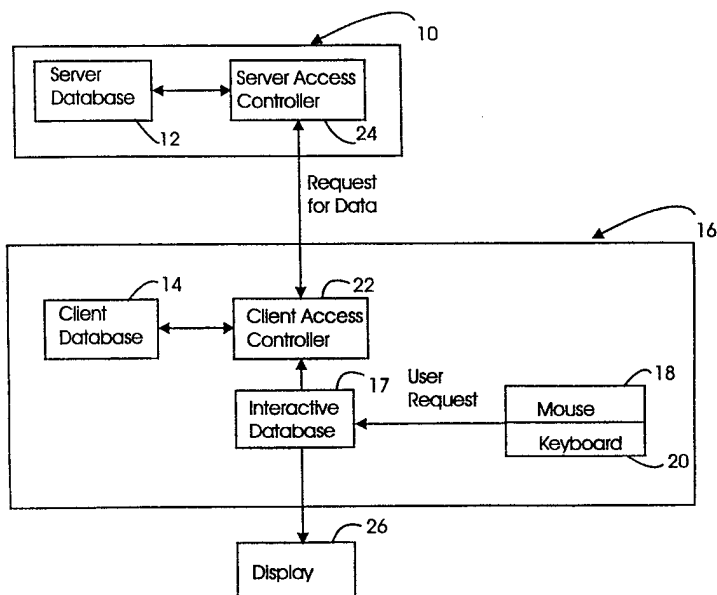




INTERNATIONAL APPLICATION PUBLISHED UNDER THE PATENT COOPERATION TREATY (PCT)

<p>(51) International Patent Classification ⁶ : G06G 9/46, 15/16</p>	<p>A3</p>	<p>(11) International Publication Number: WO 98/50838 (43) International Publication Date: 12 November 1998 (12.11.98)</p>
<p>(21) International Application Number: PCT/IL98/00174 (22) International Filing Date: 9 April 1998 (09.04.98) (30) Priority Data: 08/850,690 2 May 1997 (02.05.97) US 123479 26 February 1998 (26.02.98) IL (71) Applicant (for all designated States except US): LIVE PICTURE, INC. [US/US]; 910 East Hamilton Avenue, Campbell, CA 95008 (US). (72) Inventors; and (75) Inventors/Applicants (for US only): GUELDALIA, Isaac, David [IL/IL]; Shimon Street 80, 99000 Bet Shemesh (IL). HASHKES, Jonathan [IL/IL]; Shmaryahu Levin 20, 96664 Jerusalem (IL). GUEDALIA, Jacob, Leon [IL/IL]; Haporzim Street 24, 92541 Jerusalem (IL). (74) Agents: SANFORD, T., Colb et al.; Sanford T. Colb & Co., P.O. Box 2273, 76122 Rehovot (IL).</p>	<p>(81) Designated States: AL, AM, AT, AT (Utility model), AU, AZ, BA, BB, BG, BR, BY, CA, CH, CN, CU, CZ, CZ (Utility model), DE, DE (Utility model), DK, DK (Utility model), EE, EE (Utility model), ES, FI, FI (Utility model), GB, GE, GH, GM, GW, HU, ID, IL, IS, JP, KE, KG, KP, KR, KZ, LC, LK, LR, LS, LT, LU, LV, MD, MG, MK, MN, MW, MX, NO, NZ, PL, PT, RO, RU, SD, SE, SG, SI, SK, SK (Utility model), SL, TJ, TM, TR, TT, UA, UG, US, UZ, VN, YU, ZW, ARIPO patent (GH, GM, KE, LS, MW, SD, SZ, UG, ZW), Eurasian patent (AM, AZ, BY, KG, KZ, MD, RU, TJ, TM), European patent (AT, BE, CH, CY, DE, DK, ES, FI, FR, GB, GR, IE, IT, LU, MC, NL, PT, SE), OAPI patent (BF, BJ, CF, CG, CI, CM, GA, GN, ML, MR, NE, SN, TD, TG).</p> <p>Published <i>With international search report. Before the expiration of the time limit for amending the claims and to be republished in the event of the receipt of amendments.</i></p> <p>(88) Date of publication of the international search report: 15 April 1999 (15.04.99)</p>	

(54) Title: A METHOD AND SYSTEM FOR PROVIDING ON-LINE INTERACTIVITY OVER A SERVER-CLIENT NETWORK



(57) Abstract

Apparatus and a method for communicating media over a network including encoding the media into a server database (12) at a server (10), downloading, from the server database (12) to a client database (14) generally only those portions of the media which are necessary to satisfy user requests and in response to a user request for a given item of media, determining whether the media is present in the client database, and if not, automatically downloading those portions of the media which are necessary to supply the user with the given item of media from the server database (12). An image server (10) is provided including at least one processor operative (24) to supply portions of image data to clients in response to multiple requests therefrom, and thread management software operating the at least one processor by causing it to process the requests using at least one of a plurality of threads, the thread management software being characterized in that it initiates a new thread when an existing thread has exceeded a predetermined metric of business.

FOR THE PURPOSES OF INFORMATION ONLY

Codes used to identify States party to the PCT on the front pages of pamphlets publishing international applications under the PCT.

AL	Albania	ES	Spain	LS	Lesotho	SI	Slovenia
AM	Armenia	FI	Finland	LT	Lithuania	SK	Slovakia
AT	Austria	FR	France	LU	Luxembourg	SN	Senegal
AU	Australia	GA	Gabon	LV	Latvia	SZ	Swaziland
AZ	Azerbaijan	GB	United Kingdom	MC	Monaco	TD	Chad
BA	Bosnia and Herzegovina	GE	Georgia	MD	Republic of Moldova	TG	Togo
BB	Barbados	GH	Ghana	MG	Madagascar	TJ	Tajikistan
BE	Belgium	GN	Guinea	MK	The former Yugoslav Republic of Macedonia	TM	Turkmenistan
BF	Burkina Faso	GR	Greece	ML	Mali	TR	Turkey
BG	Bulgaria	HU	Hungary	MN	Mongolia	TT	Trinidad and Tobago
BJ	Benin	IE	Ireland	MR	Mauritania	UA	Ukraine
BR	Brazil	IL	Israel	MW	Malawi	UG	Uganda
BY	Belarus	IS	Iceland	MX	Mexico	US	United States of America
CA	Canada	IT	Italy	NE	Niger	UZ	Uzbekistan
CF	Central African Republic	JP	Japan	NL	Netherlands	VN	Viet Nam
CG	Congo	KE	Kenya	NO	Norway	YU	Yugoslavia
CH	Switzerland	KG	Kyrgyzstan	NZ	New Zealand	ZW	Zimbabwe
CI	Côte d'Ivoire	KP	Democratic People's Republic of Korea	PL	Poland		
CM	Cameroon	KR	Republic of Korea	PT	Portugal		
CN	China	KZ	Kazakstan	RO	Romania		
CU	Cuba	LC	Saint Lucia	RU	Russian Federation		
CZ	Czech Republic	LI	Liechtenstein	SD	Sudan		
DE	Germany	LK	Sri Lanka	SE	Sweden		
DK	Denmark	LR	Liberia	SG	Singapore		
EE	Estonia						

INTERNATIONAL SEARCH REPORT

International application No.
PCT/IL98/00174

A. CLASSIFICATION OF SUBJECT MATTER IPC(6) :G06G 9/46, 15/16 US CL : 395/200.48, 672, 675; 707/10 According to International Patent Classification (IPC) or to both national classification and IPC		
B. FIELDS SEARCHED Minimum documentation searched (classification system followed by classification symbols) U.S. : 395/200.48, 672, 675; 707/10 Documentation searched other than minimum documentation to the extent that such documents are included in the fields searched Electronic data base consulted during the international search (name of data base and, where practicable, search terms used) APS		
C. DOCUMENTS CONSIDERED TO BE RELEVANT		
Category*	Citation of document, with indication, where appropriate, of the relevant passages	Relevant to claim No.
Y,E	US 5,710,835 A (BRADLEY) 20 January 1998, abstract, col.8 lines 50-68, col.9 lines 15-16 and 60-65, col.11 lines 5-10.	105-124
A	US 5,030,117 A (DELORME) 09 July 1991, see abstract	105-124
Y	US 4,876,651 A (DAWSON et al.) 24 October 1989, see abstract.	105-124
A	US 5,437,032 A (WOLF et al.) 25 July 1995, abstract	1-104
A	US 5,339,415 A (STROUT, II et al.) 16 August 1994, abstract	1-104
<input type="checkbox"/> Further documents are listed in the continuation of Box C. <input type="checkbox"/> See patent family annex.		
* Special categories of cited documents: *A* document defining the general state of the art which is not considered to be of particular relevance *B* earlier document published on or after the international filing date *L* document which may throw doubts on priority claim(s) or which is cited to establish the publication date of another citation or other special reason (as specified) *O* document referring to an oral disclosure, use, exhibition or other means *P* document published prior to the international filing date but later than the priority date claimed	*T* later document published after the international filing date or priority date and not in conflict with the application but cited to understand the principle or theory underlying the invention *X* document of particular relevance; the claimed invention cannot be considered novel or cannot be considered to involve an inventive step when the document is taken alone *Y* document of particular relevance; the claimed invention cannot be considered to involve an inventive step when the document is combined with one or more other such documents, such combination being obvious to a person skilled in the art *a* document member of the same patent family	
Date of the actual completion of the international search 22 DECEMBER 1998	Date of mailing of the international search report 25 FEB 1999	
Name and mailing address of the ISA/US Commissioner of Patents and Trademarks Box PCT Washington, D.C. 20231 Facsimile No. (703) 305-3230	Authorized officer DUNG DINH <i>Joni Hill</i> Telephone No. (703) 305-9600	

INTERNATIONAL SEARCH REPORT

International application No.

PCT/IL98/00174

Box I Observations where certain claims were found unsearchable (Continuation of item 1 of first sheet)

This international report has not been established in respect of certain claims under Article 17(2)(a) for the following reasons:

1. Claims Nos.:
because they relate to subject matter not required to be searched by this Authority, namely:

2. Claims Nos.:
because they relate to parts of the international application that do not comply with the prescribed requirements to such an extent that no meaningful international search can be carried out, specifically:

3. Claims Nos.:
because they are dependent claims and are not drafted in accordance with the second and third sentences of Rule 6.4(a).

Box II Observations where unity of invention is lacking (Continuation of item 2 of first sheet)

This International Searching Authority found multiple inventions in this international application, as follows:

1. As all required additional search fees were timely paid by the applicant, this international search report covers all searchable claims.
2. As all searchable claims could be searched without effort justifying an additional fee, this Authority did not invite payment of any additional fee.
3. As only some of the required additional search fees were timely paid by the applicant, this international search report covers only those claims for which fees were paid, specifically claims Nos.:

4. No required additional search fees were timely paid by the applicant. Consequently, this international search report is restricted to the invention first mentioned in the claims; it is covered by claims Nos.:

Remark on Protest

The additional search fees were accompanied by the applicant's protest.

No protest accompanied the payment of additional search fees.