

(19) World Intellectual Property Organization  
International Bureau



(10) International Publication Number  
**WO 2010/148261 A3**

(43) International Publication Date  
23 December 2010 (23.12.2010)

(51) International Patent Classification:  
**G06Q 50/00** (2006.01)

(21) International Application Number:  
PCT/US2010/039094

(22) International Filing Date:  
17 June 2010 (17.06.2010)

(25) Filing Language: English

(26) Publication Language: English

(30) Priority Data:  
12/486,721 17 June 2009 (17.06.2009) US  
12/553,105 3 September 2009 (03.09.2009) US  
12/562,094 17 September 2009 (17.09.2009) US

(71) Applicant (for all designated States except US):  
**TRUSTIFI CORPORATION** [US/US]; 7501 Trinity Peak, Suite 210, Las Vegas, NV 89128 (US).

(72) Inventors; and

(75) Inventors/Applicants (for US only): **BENISTL, Peter, S.** [CA/CA]; c/o Trustifi Corporation, 7501 Trinity Peak, Suite 210, Las Vegas, NV 89128 (US). **BRAMSON, Steven, J.** [CA/US]; c/o Trustifi Corporation, 7501 Trinity Peak, Suite 210, Las Vegas, NV 89128 (US).

**CHALTIEL, Vitor, M. G.** [US/US]; c/o Trustifi Corporation, 7501 Trinity Peak, Suite 210, Las Vegas, NV 89128 (US). **KANTOR, Philip** [US/US]; c/o Trustifi Corporation, 7501 Trinity Peak, Suite 210, Las Vegas, NV 89128 (US).

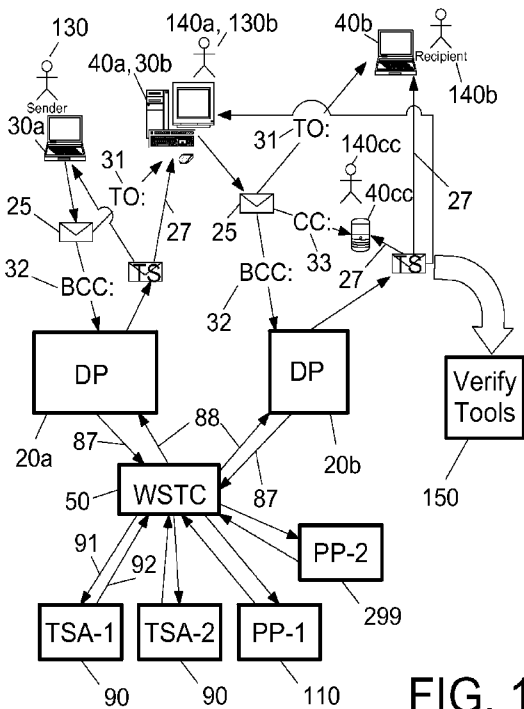
(74) Agent: **MASTERS, Connie, R.**; 2385 Flute Ave., Henderson, NV 89052 (US).

(81) Designated States (unless otherwise indicated, for every kind of national protection available): AE, AG, AL, AM, AO, AT, AU, AZ, BA, BB, BG, BH, BR, BW, BY, BZ, CA, CH, CL, CN, CO, CR, CU, CZ, DE, DK, DM, DO, DZ, EC, EE, EG, ES, FI, GB, GD, GE, GH, GM, GT, HN, HR, HU, ID, IL, IN, IS, JP, KE, KG, KM, KN, KP, KR, KZ, LA, LC, LK, LR, LS, LT, LU, LY, MA, MD, ME, MG, MK, MN, MW, MX, MY, MZ, NA, NG, NI, NO, NZ, OM, PE, PG, PH, PL, PT, RO, RS, RU, SC, SD, SE, SG, SK, SL, SM, ST, SV, SY, TH, TJ, TM, TN, TR, TT, TZ, UA, UG, US, UZ, VC, VN, ZA, ZM, ZW.

(84) Designated States (unless otherwise indicated, for every kind of regional protection available): ARIPO (BW, GH, GM, KE, LR, LS, MW, MZ, NA, SD, SL, SZ, TZ, UG, ZM, ZW), Eurasian (AM, AZ, BY, KG, KZ, MD, RU, TJ, TM), European (AL, AT, BE, BG, CH, CY, CZ, DE, DK,

[Continued on next page]

(54) Title: CERTIFIED EMAIL SYSTEM AND METHOD



(57) Abstract: The presented certified email system provides a time stamp upon receiving an email addressed to at least one recipient address and to the time-stamping system address (TCC:Address), where the email to the time-stamping system is a solicitation for a time stamp. Generally a demanding party receives the email; generates a unique HASH; digitally signs the unique HASH; and sends the signed HASH and a time-stamp request call to a web services time-stamp conduit (WSTC). The WSTC receives the request and signed HASH from the demanding party and obtains a time stamp. The WSTC sends the time stamp back to the demanding party, which sends a time-stamp notification to the original sender of the email and, optionally, the recipient (s) of the email. An administration console provides integrated detailed, pass-through billing system, keyword search, a multi-party content management system, and convenient web-based automated verification (file or HASH).

WO 2010/148261 A3



EE, ES, FI, FR, GB, GR, HR, HU, IE, IS, IT, LT, LU,  
LV, MC, MK, MT, NL, NO, PL, PT, RO, SE, SI, SK,  
SM, TR), OAPI (BF, BJ, CF, CG, CI, CM, GA, GN, GQ,  
GW, ML, MR, NE, SN, TD, TG).

**Published:**

- *with international search report (Art. 21(3))*
- *before the expiration of the time limit for amending the claims and to be republished in the event of receipt of amendments (Rule 48.2(h))*

**Declarations under Rule 4.17:**

- *as to applicant's entitlement to apply for and be granted a patent (Rule 4.17(ii))*
- *of inventorship (Rule 4.17(iv))*

**(88) Date of publication of the international search report:**

31 March 2011

## INTERNATIONAL SEARCH REPORT

International application No.  
**PCT/US2010/039094****A. CLASSIFICATION OF SUBJECT MATTER****G06Q 50/00(2006.01)i**

According to International Patent Classification (IPC) or to both national classification and IPC

**B. FIELDS SEARCHED**

Minimum documentation searched (classification system followed by classification symbols)

G06Q 50/00; G06F 12/00; H04L 9/00; G06F 15/167

Documentation searched other than minimum documentation to the extent that such documents are included in the fields searched

Korean utility models and applications for utility models  
Japanese utility models and applications for utility models

Electronic data base consulted during the international search (name of data base and, where practicable, search terms used)

eKOMPASS(KIPO internal) &amp; Keywords: EMAIL, STAMP, TIME

**C. DOCUMENTS CONSIDERED TO BE RELEVANT**

Category*	Citation of document, with indication, where appropriate, of the relevant passages	Relevant to claim No.
Y A	US 2004-0003255 A1 (AXELLE APVRILLE et al.) 01 January 2004 See the abstract, paragraphs [0034]-[0036], [0059], figures 1-6 and claims 1-24.	1-11,30-33 12-29,34-52
Y A	US 2002-0007453 A1 (C. KERRY NEMOVICHER) 17 January 2002 See the abstract, paragraph [0059], figures 1-16 and claims 1-42.	1-11,34-41 12-33,42-52
Y A	US 2008-0022097 A1 (ELIOT C. GILLUM) 24 January 2008 See the abstract, paragraphs [0031]-[0036], figures 1-6 and claims 1-20.	30-41 1-29,42-52
A	US 2005-0021571 A1 (EAST SIMON JEREMY) 27 January 2005 See the abstract, claims 1-12.	1-52

 Further documents are listed in the continuation of Box C. See patent family annex.

\* Special categories of cited documents:

"A" document defining the general state of the art which is not considered to be of particular relevance

"E" earlier application or patent but published on or after the international filing date

"L" document which may throw doubts on priority claim(s) or which is cited to establish the publication date of citation or other special reason (as specified)

"O" document referring to an oral disclosure, use, exhibition or other means

"P" document published prior to the international filing date but later than the priority date claimed

"T" later document published after the international filing date or priority date and not in conflict with the application but cited to understand the principle or theory underlying the invention

"X" document of particular relevance; the claimed invention cannot be considered novel or cannot be considered to involve an inventive step when the document is taken alone

"Y" document of particular relevance; the claimed invention cannot be considered to involve an inventive step when the document is combined with one or more other such documents, such combination being obvious to a person skilled in the art

"&amp;" document member of the same patent family

Date of the actual completion of the international search

27 JANUARY 2011 (27.01.2011)

Date of mailing of the international search report

**27 JANUARY 2011 (27.01.2011)**

Name and mailing address of the ISA/KR

Korean Intellectual Property Office  
Government Complex-Daejeon, 139 Seonsa-ro, Seo-  
gu, Daejeon 302-701, Republic of Korea

Facsimile No. 82-42-472-7140

Authorized officer

Choi Seok Kyu

Telephone No. 82-42-481-5778



**INTERNATIONAL SEARCH REPORT**

International application No.

**PCT/US2010/039094****Box No. II Observations where certain claims were found unsearchable (Continuation of item 2 of first sheet)**

This international search report has not been established in respect of certain claims under Article 17(2)(a) for the following reasons:

1.  Claims Nos.:  
because they relate to subject matter not required to be searched by this Authority, namely:
  
2.  Claims Nos.:  
because they relate to parts of the international application that do not comply with the prescribed requirements to such an extent that no meaningful international search can be carried out, specifically:
  
3.  Claims Nos.:  
because they are dependent claims and are not drafted in accordance with the second and third sentences of Rule 6.4(a).

**Box No. III Observations where unity of invention is lacking (Continuation of item 3 of first sheet)**

This International Searching Authority found multiple inventions in this international application, as follows:

Group I, claims 1-6, 7 are directed to a method and a computer-readable medium for providing a time stamp. Group II, claims 8-11 are directed to another method. Group III, claims 12-17 are directed to other method. Group IV, claims 18-29 are directed to other method. Group V, claims 30-33 are directed to other method. Group VI, claims 34-41 are directed to a certified email system. Group VII, claims 42-47 are directed to another system. Group VIII, claims 48-52 are directed to other system.

The single general concept linking Groups I-VIII together is a system comprising a time stamp.

This common concept is, however, described in US2005/0021571 A1, 27 Jan. 2005 (SIMON J. EAST) and, therefore, does not represent any contribution over the prior art.

1.  As all required additional search fees were timely paid by the applicant, this international search report covers all searchable claims.
2.  As all searchable claims could be searched without effort justifying an additional fee, this Authority did not invite payment of any additional fee.
3.  As only some of the required additional search fees were timely paid by the applicant, this international search report covers only those claims for which fees were paid, specifically claims Nos.:
  
4.  No required additional search fees were timely paid by the applicant. Consequently, this international search report is restricted to the invention first mentioned in the claims; it is covered by claims Nos.:

**Remark on Protest**

- The additional search fees were accompanied by the applicant's protest and, where applicable, the payment of a protest fee.
- The additional search fees were accompanied by the applicant's protest but the applicable protest fee was not paid within the time limit specified in the invitation.
- No protest accompanied the payment of additional search fees.

**INTERNATIONAL SEARCH REPORT**

Information on patent family members

International application No.

**PCT/US2010/039094**

Patent document cited in search report	Publication date	Patent family member(s)	Publication date
US 2004-0003255 A1	01.01.2004	EP 1518374 A1 JP 2005-531995 A WO 2004-004255 A1	30.03.2005 20.10.2005 08.01.2004
US 2002-0007453 A1	17.01.2002	AU 7491201 A WO 01-91403A2	03.12.2001 29.11.2001
US 2008-0022097 A1	24.01.2008	CN 101558422 A KR 10-2009-0031681 A US 2007-0294402 A1 WO 2008-115187 A2	14.10.2009 27.03.2009 20.12.2007 25.09.2008
US 2005-0021571 A1	27.01.2005	AU 2002-343088 A1 AU 2002-343090 A1 DE 60222924 D1 DE 60227280 D1 EP 1451684 B1 EP 1451720 A2 JP 2005-510796 A JP 2005-510805 A JP 2005-527883 A US 2005-0108185 A1 US 2007-0118577 A1 US 7836264 B2 WO 03-046723 A3 WO 03-047217 A2	10.06.2003 10.06.2003 22.11.2007 07.08.2008 25.06.2008 01.09.2004 21.04.2005 21.04.2005 15.09.2005 19.05.2005 24.05.2007 16.11.2010 05.06.2003 05.06.2003