



US00D724256S

(12) **United States Design Patent**  
**Klus**

(10) **Patent No.:** **US D724,256 S**

(45) **Date of Patent:** **\*\* Mar. 10, 2015**

(54) **HOUSING FOR A LED BASED LIGHTING APPARATUS**

(71) Applicant: **Sylwester Klus**, Kamionka (PL)

(72) Inventor: **Sylwester Klus**, Kamionka (PL)

(\*\*) Term: **14 Years**

(21) Appl. No.: **29/479,441**

(22) Filed: **Jan. 16, 2014**

(51) **LOC (10) Cl.** ..... **26-99**

(52) **U.S. Cl.**

USPC ..... **D26/141**

(58) **Field of Classification Search**

USPC ..... D26/24, 26, 39, 42, 67, 68, 72, 74, 75,  
D26/79, 85, 88, 89, 91, 96, 108, 109, 113,  
D26/118, 120, 122, 129, 138, 140, 141,  
D26/142; D13/179, 180; D25/60, 119, 122,  
D25/124, 125; 362/23.07, 23.09, 23.16,  
362/145, 217.01, 217.02, 255, 257, 270,  
362/277, 317, 362, 555, 611, 612, 614, 800  
See application file for complete search history.

(56) **References Cited**

**U.S. PATENT DOCUMENTS**

D301,304 S \* 5/1989 Will ..... D25/119  
D437,944 S \* 2/2001 Neuhofer, Jr. .... D25/199  
6,302,560 B1 \* 10/2001 Lai ..... 362/235

D623,343 S \* 9/2010 Klus ..... D26/138  
D649,680 S \* 11/2011 Trzesniowski ..... D26/138  
D649,691 S \* 11/2011 Trzesniowski ..... D26/138  
D662,256 S \* 6/2012 Klu ..... D26/138  
D662,653 S \* 6/2012 Hochman ..... D26/138  
D665,123 S \* 8/2012 Douglas ..... D26/138  
D693,052 S \* 11/2013 Klu ..... D26/138  
D695,953 S \* 12/2013 Klu ..... D26/138  
2009/0310354 A1 \* 12/2009 Zampini et al. .... 362/362

\* cited by examiner

*Primary Examiner* — Caron D Veynar

*Assistant Examiner* — Natasha Vujcic

(74) *Attorney, Agent, or Firm* — Mark Terry

(57) **CLAIM**

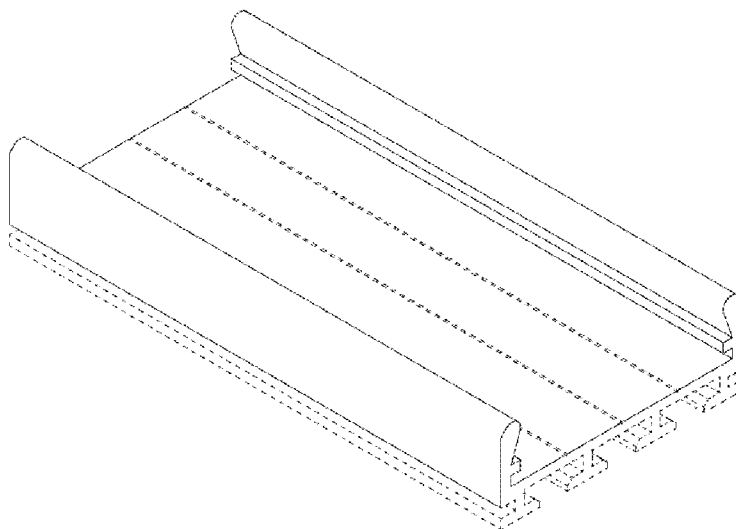
The ornamental design for housing for an LED based lighting apparatus, as shown and described.

**DESCRIPTION**

FIG. 1 is a top perspective view of a housing for an LED based lighting apparatus, showing the new design;  
FIG. 2 is a bottom perspective view thereof;  
FIG. 3 is a front view thereof;  
FIG. 4 is a side view thereof;  
FIG. 5 is a top view thereof; and,  
FIG. 6 is a bottom view thereof.

The broken lines in the drawings illustrate portions of the housing for LED based lighting apparatus which form no part of the claimed design.

**1 Claim, 3 Drawing Sheets**



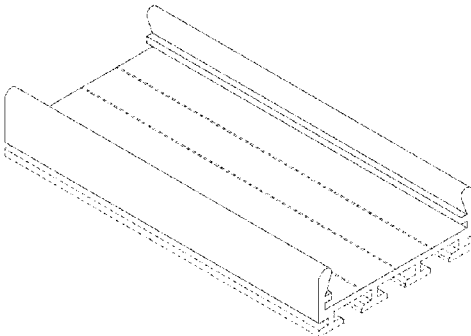


FIG. 1

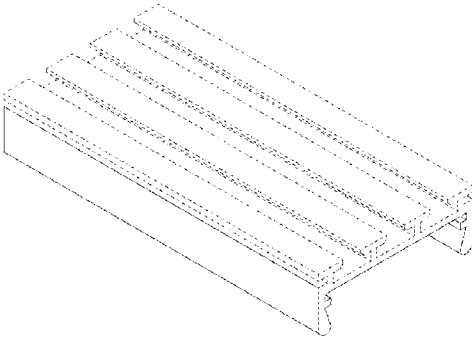


FIG. 2

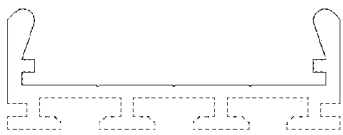


FIG. 3



FIG. 4

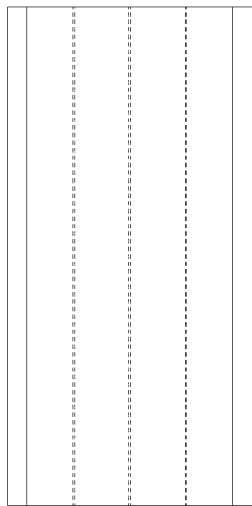


FIG. 5

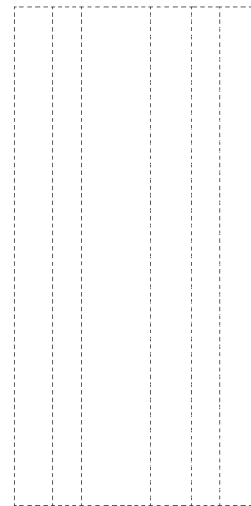


FIG. 6