

CORRECTED VERSION

(19) World Intellectual Property Organization
International Bureau



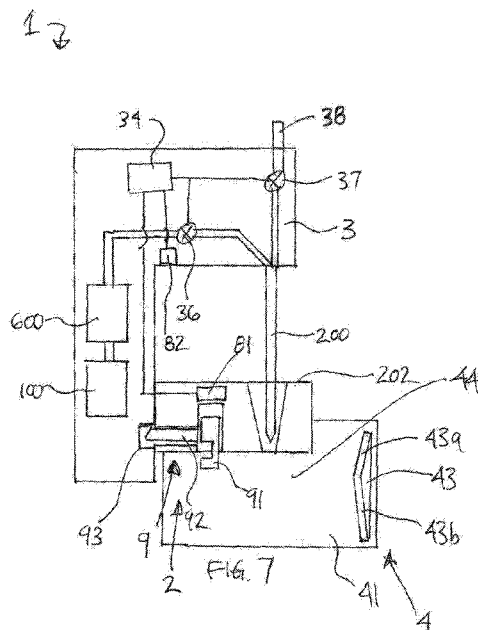
(10) International Publication Number
WO 2020/106832 A8

(43) International Publication Date
28 May 2020 (28.05.2020)

- (51) **International Patent Classification:**
B67D 1/04 (2006.01) B67D 1/08 (2006.01)
- (21) **International Application Number:**
PCT/US2019/062401
- (22) **International Filing Date:**
20 November 2019 (20.11.2019)
- (25) **Filing Language:** English
- (26) **Publication Language:** English
- (30) **Priority Data:**
62/770,299 21 November 2018 (21.11.2018) US
- (71) **Applicant: CORAVIN, INC.** [US/US]; 28 Crosby Drive, Suite 101, Bedford, MA 01730 (US).
- (72) **Inventors: RIDER, Michael;** 3 Nob Way, Lowell, MA 01852 (US). **SWEEZEY, Andrew S.;** 46 Converse Avenue #3, Malden, MA 02148 (US). **VOGT, Chris;** 109 Willow Ave., #3, Somerville, MA 02144 (US).
- (74) **Agent: HUNT, Robert E. et al.;** Wolf, Greenfield & Sacks, P.C., 600 Atlantic Avenue, Boston, MA 02210-2206 (US).

- (81) **Designated States** (unless otherwise indicated, for every kind of national protection available): AE, AG, AL, AM, AO, AT, AU, AZ, BA, BB, BG, BH, BN, BR, BW, BY, BZ, CA, CH, CL, CN, CO, CR, CU, CZ, DE, DJ, DK, DM, DO, DZ, EC, EE, EG, ES, FI, GB, GD, GE, GH, GM, GT, HN, HR, HU, ID, IL, IN, IR, IS, JO, JP, KE, KG, KH, KN, KP, KR, KW, KZ, LA, LC, LK, LR, LS, LU, LY, MA, MD, ME, MG, MK, MN, MW, MX, MY, MZ, NA, NG, NI, NO, NZ, OM, PA, PE, PG, PH, PL, PT, QA, RO, RS, RU, RW, SA, SC, SD, SE, SG, SK, SL, SM, ST, SV, SY, TH, TJ, TM, TN, TR, TT, TZ, UA, UG, US, UZ, VC, VN, ZA, ZM, ZW.
- (84) **Designated States** (unless otherwise indicated, for every kind of regional protection available): ARIPO (BW, GH, GM, KE, LR, LS, MW, MZ, NA, RW, SD, SL, ST, SZ, TZ, UG, ZM, ZW), Eurasian (AM, AZ, BY, KG, KZ, RU, TJ, TM), European (AL, AT, BE, BG, CH, CY, CZ, DE, DK, EE, ES, FI, FR, GB, GR, HR, HU, IE, IS, IT, LT, LU, LV, MC, MK, MT, NL, NO, PL, PT, RO, RS, SE, SI, SK, SM, TR), OAPI (BF, BJ, CF, CG, CI, CM, GA, GN, GQ, GW, KM, ML, MR, NE, SN, TD, TG).

(54) **Title:** BEVERAGE DISPENSER WITH CONDUIT PURGE FEATURES



(57) **Abstract:** Devices and methods for dispensing beverage from a container, such as a wine bottle, using a dispensing device. The device may automatically purge at least one conduit used to deliver gas to a beverage container or to carry beverage from the beverage container in response to detecting that a dispensing operation is about to begin, or in response to detecting that a dispensing operation is complete. Visual or other displays may be provided to the user to indicate that the device is ready for use in dispensing, that a conduit is in fluid communication with the container interior and/or that the device is controlling components to dispense beverage.

WO 2020/106832 A8

Published:

— *without international search report and to be republished
upon receipt of that report (Rule 48.2(g))*

(48) Date of publication of this corrected version:

23 July 2020 (23.07.2020)

(15) Information about Correction:

see Notice of 23 July 2020 (23.07.2020)