

(19) World Intellectual Property
Organization
International Bureau



(43) International Publication Date
31 March 2005 (31.03.2005)

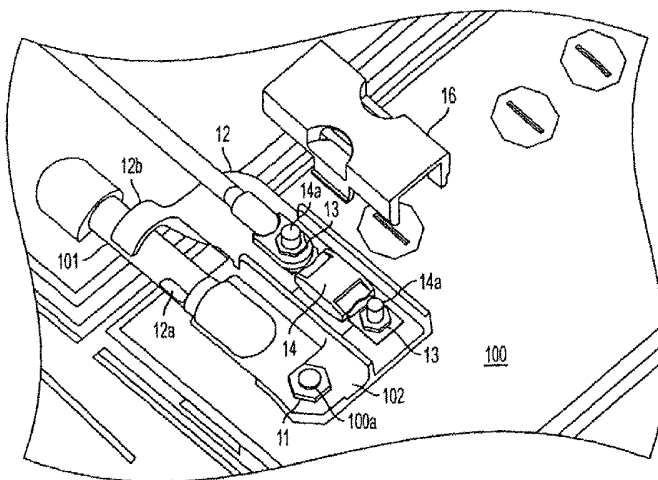
PCT

(10) International Publication Number
WO 2005/029646 A3

- (51) International Patent Classification⁷: **H01H 85/02**, 85/46, H01R 13/52, 13/68, 33/95, H02H 5/04, 7/18
- (21) International Application Number: PCT/US2004/030537
- (22) International Filing Date: 17 September 2004 (17.09.2004)
- (25) Filing Language: English
- (26) Publication Language: English
- (30) Priority Data: 60/503,455 17 September 2003 (17.09.2003) US
- (71) Applicant (for all designated States except US): **MACK TRUCKS, INC.** [US/US]; 2402 Lehigh Parkway South, Allentown, Pennsylvania 18105 (US).
- (72) Inventor; and
- (75) Inventor/Applicant (for US only): **GROELLER, Charles, J.** [US/US]; 7672 Longwood Drive, Orefield, Pennsylvania 18069 (US).
- (74) Agents: **REPPER, George, R.** et al.; 1425 K Street, N.W., Suite 800, Washington, DC 20005 (US).
- (81) Designated States (unless otherwise indicated, for every kind of national protection available): AE, AG, AL, AM, AT, AU, AZ, BA, BB, BG, BR, BW, BY, BZ, CA, CH, CN, CO, CR, CU, CZ, DE, DK, DM, DZ, EC, EE, EG, ES, FI, GB, GD, GE, GH, GM, HR, HU, ID, IL, IN, IS, JP, KE, KG, KP, KR, KZ, LC, LK, LR, LS, LT, LU, LV, MA, MD, MG, MK, MN, MW, MX, MZ, NA, NI, NO, NZ, OM, PG, PH, PL, PT, RO, RU, SC, SD, SE, SG, SK, SL, SY, TJ, TM, TN, TR, TT, TZ, UA, UG, US, UZ, VC, VN, YU, ZA, ZM, ZW.
- (84) Designated States (unless otherwise indicated, for every kind of regional protection available): ARIPO (BW, GH, GM, KE, LS, MW, MZ, NA, SD, SL, SZ, TZ, UG, ZM, ZW), Eurasian (AM, AZ, BY, KG, KZ, MD, RU, TJ, TM), European (AT, BE, BG, CH, CY, CZ, DE, DK, EE, ES, FI, FR, GB, GR, HU, IE, IT, LU, MC, NL, PL, PT, RO, SE, SI, SK, TR), OAPI (BF, BJ, CF, CG, CI, CM, GA, GN, GQ, GW, ML, MR, NE, SN, TD, TG).
- Published:
— with international search report

[Continued on next page]

(54) Title: BATTERY CABLE WITH PROVISIONS FOR INTEGRAL CIRCUIT PROTECTION



(57) Abstract: A battery cable circuits protection device (10) and circuit for preventing fluctuations in voltage from a supply battery (100) is provided. The device includes a terminal base (12) having a battery cable lug member (102) adapted for mounting to and making an electrical connection with a battery post (100a) of the battery. A battery cable mounting structure (12a, 12b) is fixedly connected to the terminal base for detachably connecting the terminal base to a battery cable. The battery cable supplies a vehicle starter motor with electrical energy. A first fuse mount (14a) supported by the terminal base provides electrical interconnection to the battery post. A second fuse mount (14a) supported by the terminal base provides electrical energy to vehicle electrical systems other than the vehicle starter motor. The first and second fuse mounts are adapted for detachable a connection to a fuse (14), which provides electrical interconnection between the first and second mounts.

WO 2005/029646 A3



— *before the expiration of the time limit for amending the claims and to be republished in the event of receipt of amendments*

For two-letter codes and other abbreviations, refer to the "Guidance Notes on Codes and Abbreviations" appearing at the beginning of each regular issue of the PCT Gazette.

(88) Date of publication of the international search report:
9 June 2005

INTERNATIONAL SEARCH REPORT

International application No.

PCT/US04/30537

A. CLASSIFICATION OF SUBJECT MATTER
 IPC(7) : H01H 85/02, 85/46; H01R 13/52, 13/68, 33/95; H02H 5/04, 7/18
 US CL : 439/522, 621, 622; 337/189; 307/10.7; 361/103, 104
 According to International Patent Classification (IPC) or to both national classification and IPC

B. FIELDS SEARCHED
 Minimum documentation searched (classification system followed by classification symbols)
 U.S. : 439/522, 621, 622; 337/189; 307/10.7; 361/103, 104

Documentation searched other than minimum documentation to the extent that such documents are included in the fields searched

Electronic data base consulted during the international search (name of data base and, where practicable, search terms used)

C. DOCUMENTS CONSIDERED TO BE RELEVANT

| Category * | Citation of document, with indication, where appropriate, of the relevant passages | Relevant to claim No. |
|------------|---|-----------------------|
| X | US 5,645,448 A (Hill) 8 July 1997 (8.07.1997) Figures 1 and 2, Column 4, lines 30-62. | 1-6 |

Further documents are listed in the continuation of Box C. See patent family annex.

| | |
|---|--|
| * Special categories of cited documents: | "I" later document published after the international filing date or priority date and not in conflict with the application but cited to understand the principle or theory underlying the invention |
| "A" document defining the general state of the art which is not considered to be of particular relevance | "X" document of particular relevance; the claimed invention cannot be considered novel or cannot be considered to involve an inventive step when the document is taken alone |
| "E" earlier application or patent published on or after the international filing date | "Y" document of particular relevance; the claimed invention cannot be considered to involve an inventive step when the document is combined with one or more other such documents, such combination being obvious to a person skilled in the art |
| "L" document which may throw doubts on priority claim(s) or which is cited to establish the publication date of another citation or other special reason (as specified) | "&" document member of the same patent family |
| "O" document referring to an oral disclosure, use, exhibition or other means | |
| "P" document published prior to the international filing date but later than the priority date claimed | |

Date of the actual completion of the international search
 06 February 2005 (06.02.2005)

Date of mailing of the international search report
 15 APR 2005

Name and mailing address of the ISA/US
 Mail Stop PCT, Attn: ISA/US
 Commissioner for Patents
 P.O. Box 1450
 Alexandria, Virginia 22313-1450
 Facsimile No. (703) 305-3230

Authorized officer *Nona M. Chapman*
 Ronald W. Leja
 Telephone No. (571) 272-1562