

(19) World Intellectual Property Organization
International Bureau



(43) International Publication Date
17 April 2008 (17.04.2008)

PCT

(10) International Publication Number
WO 2008/045703 A3

(51) International Patent Classification:
A61M 31/00 (2006.01) A61M 5/32 (2006.01)

(21) International Application Number:
PCT/US2007/079982

(22) International Filing Date:
28 September 2007 (28.09.2007)

(25) Filing Language: English

(26) Publication Language: English

(30) Priority Data:
60/828,746 9 October 2006 (09.10.2006) US

(71) Applicants and

(72) Inventors: **ISIK, Frank F.** [US/US]; 9438 SE 52 Street, Mercer Island, WA 98040 (US). **KIRKMAN, Thomas Robert** [US/US]; 5.1 Port Saint Nicholas Road, P.O. Box 553, Craig, Alaska 99921 (US).

(74) Agent: **HAN, Johney U.**; Levine Bagade Han Llp, 2483 East Bayshore Road, Suite 100, Palo Alto, California 94303 (US).

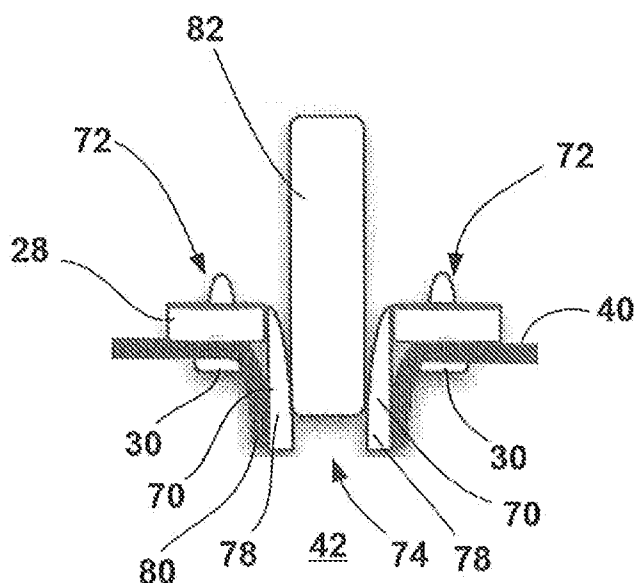
(81) Designated States (unless otherwise indicated, for every kind of national protection available): AE, AG, AL, AM, AT, AU, AZ, BA, BB, BG, BH, BR, BW, BY, BZ, CA, CH, CN, CO, CR, CU, CZ, DE, DK, DM, DO, DZ, EC, EE, EG, ES, FI, GB, GD, GE, GH, GM, GT, HN, HR, HU, ID, IL, IN, IS, JP, KE, KG, KM, KN, KP, KR, KZ, LA, LC, LK, LR, LS, LT, LU, LY, MA, MD, ME, MG, MK, MN, MW, MX, MY, MZ, NA, NG, NI, NO, NZ, OM, PG, PH, PL, PT, RO, RS, RU, SC, SD, SE, SG, SK, SL, SM, SV, SY, TJ, TM, TN, TR, TT, TZ, UA, UG, US, UZ, VC, VN, ZA, ZM, ZW.

(84) Designated States (unless otherwise indicated, for every kind of regional protection available): ARIPO (BW, GH, GM, KE, LS, MW, MZ, NA, SD, SL, SZ, TZ, UG, ZM, ZW), Eurasian (AM, AZ, BY, KG, KZ, MD, RU, TJ, TM), European (AT, BE, BG, CH, CY, CZ, DE, DK, EE, ES, FI, FR, GB, GR, HU, IE, IS, IT, LT, LU, LV, MC, MT, NL, PL, PT, RO, SE, SI, SK, TR), OAPI (BF, BJ, CF, CG, CI, CM, GA, GN, GQ, GW, ML, MR, NE, SN, TD, TG).

Published:
— with international search report

(88) Date of publication of the international search report:
12 June 2008

(54) Title: VASCULAR ACCESS DEVICES AND METHODS OF USE



(57) Abstract: Vascular access devices and methods of use may utilize a single access port which is attached to a vessel wall and allows for controlled insertion of small to large sized instruments and catheters. The access port may be secured via securement mechanisms deployed from within the vessel lumen. Also, one or more cutting blades may be utilized to create and/or define the individual flaps in the access port and/or underlying tissue wall at the time of port deployment and securement. Such an access port allows a user to access and/or re-access the same artery and/or vein of patients utilizing various diameter catheters and instruments while maintaining hemostasis.

WO 2008/045703 A3

INTERNATIONAL SEARCH REPORT

International application No.
PCT/US 07/79982

<p>A. CLASSIFICATION OF SUBJECT MATTER IPC(8) - A61M 31/00; A61M 5/32 (2008.01) USPC - 604/93.01; 604/175; 604/502 According to International Patent Classification (IPC) or to both national classification and IPC</p>																	
<p>B. FIELDS SEARCHED</p> <p>Minimum documentation searched (classification system followed by classification symbols) USPC: 604/93.01; 604/175; 604/502</p> <p>Documentation searched other than minimum documentation to the extent that such documents are included in the fields searched USPC: All classes</p> <p>Electronic data base consulted during the international search (name of data base and, where practicable, search terms used) PubWEST (PGPB, USPT, EPAB, JPAB), Google Scholar, Google Patents Keywords: Vascular, vessel, valve, port, flap, leaflet, nitl, nitinol, nickel, titanium, slit, hemostatic, disc, disk, reinforce, bias, frame, spring, scaffold, stiff, support, medical, patient, subject, suture, close, together, catheter, cannula, instrument</p>																	
<p>C. DOCUMENTS CONSIDERED TO BE RELEVANT</p> <table border="1" style="width:100%; border-collapse: collapse;"> <thead> <tr> <th style="width:10%;">Category*</th> <th style="width:70%;">Citation of document, with indication, where appropriate, of the relevant passages</th> <th style="width:20%;">Relevant to claim No.</th> </tr> </thead> <tbody> <tr> <td align="center">Y</td> <td>US 5,797,933 A (SNOW et al.) 25 August 1998 (25.08.1998) col 16, ln 5-16; col 30, ln 44-56; Fig 1, 7c, 8g, 21b, 21c</td> <td align="center">1-25</td> </tr> <tr> <td align="center">Y</td> <td>US 5,057,084 A (ENSMINGER et al.) 15 October 1991 (15.10.1991) col 1, ln 7-13; col 2, ln 54-60; col 5, ln 23-34; col 6, ln 13-16; Fig 1, 4</td> <td align="center">1-25</td> </tr> <tr> <td align="center">Y</td> <td>US 2006/0167543 A1 (BAILEY et al.) 27 July 2006 (27.07.2006) para [0047], [0049], [0050]; Fig 17</td> <td align="center">1-14, 16-17, 21-23, 25</td> </tr> <tr> <td align="center">Y</td> <td>US 2004/0162608 A1 (HAVERICH) 19 August 2004 (19.08.2004) para [0085]</td> <td align="center">9</td> </tr> </tbody> </table>			Category*	Citation of document, with indication, where appropriate, of the relevant passages	Relevant to claim No.	Y	US 5,797,933 A (SNOW et al.) 25 August 1998 (25.08.1998) col 16, ln 5-16; col 30, ln 44-56; Fig 1, 7c, 8g, 21b, 21c	1-25	Y	US 5,057,084 A (ENSMINGER et al.) 15 October 1991 (15.10.1991) col 1, ln 7-13; col 2, ln 54-60; col 5, ln 23-34; col 6, ln 13-16; Fig 1, 4	1-25	Y	US 2006/0167543 A1 (BAILEY et al.) 27 July 2006 (27.07.2006) para [0047], [0049], [0050]; Fig 17	1-14, 16-17, 21-23, 25	Y	US 2004/0162608 A1 (HAVERICH) 19 August 2004 (19.08.2004) para [0085]	9
Category*	Citation of document, with indication, where appropriate, of the relevant passages	Relevant to claim No.															
Y	US 5,797,933 A (SNOW et al.) 25 August 1998 (25.08.1998) col 16, ln 5-16; col 30, ln 44-56; Fig 1, 7c, 8g, 21b, 21c	1-25															
Y	US 5,057,084 A (ENSMINGER et al.) 15 October 1991 (15.10.1991) col 1, ln 7-13; col 2, ln 54-60; col 5, ln 23-34; col 6, ln 13-16; Fig 1, 4	1-25															
Y	US 2006/0167543 A1 (BAILEY et al.) 27 July 2006 (27.07.2006) para [0047], [0049], [0050]; Fig 17	1-14, 16-17, 21-23, 25															
Y	US 2004/0162608 A1 (HAVERICH) 19 August 2004 (19.08.2004) para [0085]	9															
<p><input type="checkbox"/> Further documents are listed in the continuation of Box C. <input type="checkbox"/></p>																	
<p>* Special categories of cited documents:</p> <table style="width:100%;"> <tr> <td style="width:50%;"> <p>"A" document defining the general state of the art which is not considered to be of particular relevance</p> <p>"E" earlier application or patent but published on or after the international filing date</p> <p>"L" document which may throw doubts on priority claim(s) or which is cited to establish the publication date of another citation or other special reason (as specified)</p> <p>"O" document referring to an oral disclosure, use, exhibition or other means</p> <p>"P" document published prior to the international filing date but later than the priority date claimed</p> </td> <td style="width:50%;"> <p>"T" later document published after the international filing date or priority date and not in conflict with the application but cited to understand the principle or theory underlying the invention</p> <p>"X" document of particular relevance; the claimed invention cannot be considered novel or cannot be considered to involve an inventive step when the document is taken alone</p> <p>"Y" document of particular relevance; the claimed invention cannot be considered to involve an inventive step when the document is combined with one or more other such documents, such combination being obvious to a person skilled in the art</p> <p>"&" document member of the same patent family</p> </td> </tr> </table>			<p>"A" document defining the general state of the art which is not considered to be of particular relevance</p> <p>"E" earlier application or patent but published on or after the international filing date</p> <p>"L" document which may throw doubts on priority claim(s) or which is cited to establish the publication date of another citation or other special reason (as specified)</p> <p>"O" document referring to an oral disclosure, use, exhibition or other means</p> <p>"P" document published prior to the international filing date but later than the priority date claimed</p>	<p>"T" later document published after the international filing date or priority date and not in conflict with the application but cited to understand the principle or theory underlying the invention</p> <p>"X" document of particular relevance; the claimed invention cannot be considered novel or cannot be considered to involve an inventive step when the document is taken alone</p> <p>"Y" document of particular relevance; the claimed invention cannot be considered to involve an inventive step when the document is combined with one or more other such documents, such combination being obvious to a person skilled in the art</p> <p>"&" document member of the same patent family</p>													
<p>"A" document defining the general state of the art which is not considered to be of particular relevance</p> <p>"E" earlier application or patent but published on or after the international filing date</p> <p>"L" document which may throw doubts on priority claim(s) or which is cited to establish the publication date of another citation or other special reason (as specified)</p> <p>"O" document referring to an oral disclosure, use, exhibition or other means</p> <p>"P" document published prior to the international filing date but later than the priority date claimed</p>	<p>"T" later document published after the international filing date or priority date and not in conflict with the application but cited to understand the principle or theory underlying the invention</p> <p>"X" document of particular relevance; the claimed invention cannot be considered novel or cannot be considered to involve an inventive step when the document is taken alone</p> <p>"Y" document of particular relevance; the claimed invention cannot be considered to involve an inventive step when the document is combined with one or more other such documents, such combination being obvious to a person skilled in the art</p> <p>"&" document member of the same patent family</p>																
<p>Date of the actual completion of the international search</p> <p>23 January 2008 (23.01.2008)</p>		<p>Date of mailing of the international search report</p> <p align="center">13 MAR 2008</p>															
<p>Name and mailing address of the ISA/US</p> <p>Mail Stop PCT, Attn: ISA/US, Commissioner for Patents P.O. Box 1450, Alexandria, Virginia 22313-1450 Facsimile No. 571-273-3201</p>		<p>Authorized officer: <i>Lee W. Young</i></p> <p>PCT Helpdesk: 571-272-4300 PCT OSP: 571-272-7774</p>															