

(19) World Intellectual Property Organization
International Bureau



(43) International Publication Date
15 November 2007 (15.11.2007)

PCT

(10) International Publication Number
WO 2007/130573 A3

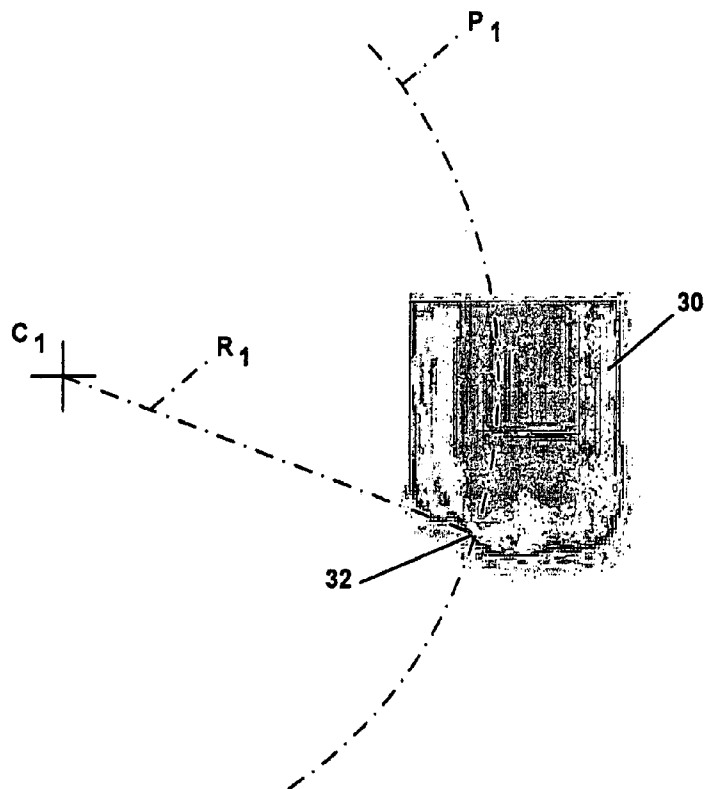
- (51) International Patent Classification:
A61C 7/00 (2006.01)
- (21) International Application Number:
PCT/US2007/010838
- (22) International Filing Date: 4 May 2007 (04.05.2007)
- (25) Filing Language: English
- (26) Publication Language: English
- (30) Priority Data:
60/797,911 4 May 2006 (04.05.2006) US
- (71) Applicants and
- (72) Inventors: **HULTGREN, Bruce, Willard** [US/US]; 7367 Lilac Lane, Victoria, MN 55386-9768 (US). **ERDMAN, Arthur, G.** [US/US]; 1957 3rd Street S.w., New Brighton, MN 55112 (US).
- (74) Agent: **BRUESS, Steven, C.**; Merchant & Gould P.c., P.o. Box 2903, Minneapolis, MN 55402-0903 (US).

- (81) Designated States (unless otherwise indicated, for every kind of national protection available): AE, AG, AL, AM, AT, AU, AZ, BA, BB, BG, BH, BR, BW, BY, BZ, CA, CH, CN, CO, CR, CU, CZ, DE, DK, DM, DZ, EC, EE, EG, ES, FI, GB, GD, GE, GH, GM, GT, HN, HR, HU, ID, IL, IN, IS, JP, KE, KG, KM, KN, KP, KR, KZ, LA, LC, LK, LR, LS, LT, LU, LY, MA, MD, MG, MK, MN, MW, MX, MY, MZ, NA, NG, NI, NO, NZ, OM, PG, PH, PL, PT, RO, RS, RU, SC, SD, SE, SG, SK, SL, SM, SV, SY, TJ, TM, TN, TR, TT, TZ, UA, UG, US, UZ, VC, VN, ZA, ZM, ZW.
- (84) Designated States (unless otherwise indicated, for every kind of regional protection available): ARIPO (BW, GH, GM, KE, LS, MW, MZ, NA, SD, SL, SZ, TZ, UG, ZM, ZW), Eurasian (AM, AZ, BY, KG, KZ, MD, RU, TJ, TM), European (AT, BE, BG, CH, CY, CZ, DE, DK, EE, ES, FI, FR, GB, GR, HU, IE, IS, IT, LT, LU, LV, MC, MT, NL, PL, PT, RO, SE, SI, SK, TR), OAPI (BF, BJ, CF, CG, CI, CM, GA, GN, GQ, GW, ML, MR, NE, SN, TD, TG).

Published:
— with international search report

[Continued on next page]

(54) Title: DENTAL MODELING SYSTEM AND METHOD



(57) Abstract: A method for simulating tooth movement utilizes electronic modeling to represent the teeth. Instant centers of rotation are determined and projected paths of movement are plotted. The electronic model provides improved precision and provides a method for simulating movement in three dimensions. The movement from growth and/or correction is shown with the electronic model. The simulation provides for improved correction.

WO 2007/130573 A3



— *before the expiration of the time limit for amending the claims and to be republished in the event of receipt of amendments*

For two-letter codes and other abbreviations, refer to the "Guidance Notes on Codes and Abbreviations" appearing at the beginning of each regular issue of the PCT Gazette.

(88) Date of publication of the international search report:

10 January 2008

INTERNATIONAL SEARCH REPORT

International application No
PCT/US2007/010838A. CLASSIFICATION OF SUBJECT MATTER
INV. A61C7/00

According to International Patent Classification (IPC) or to both national classification and IPC

B. FIELDS SEARCHED

Minimum documentation searched (classification system followed by classification symbols)
A61C

Documentation searched other than minimum documentation to the extent that such documents are included in the fields searched

Electronic data base consulted during the international search (name of data base and, where practical, search terms used)

EPO-Internal, WPI Data, INSPEC

C. DOCUMENTS CONSIDERED TO BE RELEVANT

Category*	Citation of document, with indication, where appropriate, of the relevant passages	Relevant to claim No.
X	US 6 250 918 B1 (SACHDEVA ROHIT [US] ET AL) 26 June 2001 (2001-06-26) column 4, lines 12-37,57-63 figures 3A-3C	12-17
A		1,2,4,7,9
X	WO 94/10935 A (ORMCO CORP [US]) 26 May 1994 (1994-05-26) page 6, lines 6-8 page 8, lines 31-36 page 13, lines 18-20 page 25, lines 14-18 page 33, lines 14-20 page 45, line 13 - page 46, line 10 page 47, lines 1-25 page 62, line 4 - page 63, line 32 figures 5-5P,7A-7C	16-18, 21,22
	----- -/--	

 Further documents are listed in the continuation of Box C. See patent family annex.

* Special categories of cited documents :

A document defining the general state of the art which is not considered to be of particular relevance

E earlier document but published on or after the international filing date

L document which may throw doubts on priority claim(s) or which is cited to establish the publication date of another citation or other special reason (as specified)

O document referring to an oral disclosure, use, exhibition or other means

P document published prior to the international filing date but later than the priority date claimed

T later document published after the international filing date or priority date and not in conflict with the application but cited to understand the principle or theory underlying the invention

X document of particular relevance; the claimed invention cannot be considered novel or cannot be considered to involve an inventive step when the document is taken alone

Y document of particular relevance; the claimed invention cannot be considered to involve an inventive step when the document is combined with one or more other such documents, such combination being obvious to a person skilled in the art.

* & * document member of the same patent family

Date of the actual completion of the international search

29 October 2007

Date of mailing of the international search report

07/11/2007

Name and mailing address of the ISA/

European Patent Office, P.B. 5818 Patentlaan 2
NL - 2280 HV Rijswijk
Tel. (+31-70) 340-2040, Tx. 31 651 epo nl,
Fax: (+31-70) 340-3016

Authorized officer

Chabus, Hervé

INTERNATIONAL SEARCH REPORT

International application No

PCT/US2007/010838

C(Continuation). DOCUMENTS CONSIDERED TO BE RELEVANT

Category*	Citation of document, with indication, where appropriate, of the relevant passages	Relevant to claim No.
A	WO 03/094102 A (ORAMETRIX INC [US]) 13 November 2003 (2003-11-13) page 10, lines 31-33 page 20, lines 3-16 -----	1,12,14
A	----- THIS STUDY WAS SUBMITTED AS DR OREN'S THESIS AS PART OF THE REQUIREMENTS OF THE POSTGRADUATE PROGRAM IN ORTHODONTICS ET AL: "Cortical bone remodeling/tooth movement ratio during maxillary incisor retraction with tip versus torque movements" AMERICAN JOURNAL OF ORTHODONTICS AND DENTOFACIAL ORTHOPEDICS, MOSBY, ST. LOUIS, US, vol. 114, no. 5, November 1998 (1998-11), pages 520-529, XP005699393 ISSN: 0889-5406 the whole document -----	1,12,14, 16,21

INTERNATIONAL SEARCH REPORT

Information on patent family members

International application No

PCT/US2007/010838

Patent document cited in search report	Publication date	Patent family member(s)	Publication date
US 6250918	B1	26-06-2001	NONE
WO 9410935	A	26-05-1994	AU 5598894 A 08-06-1994
			DE 69327661 D1 24-02-2000
			DE 69327661 T2 20-07-2000
			EP 0667753 A1 23-08-1995
			JP 3380553 B2 24-02-2003
			JP 8508174 T 03-09-1996
			US 5683243 A 04-11-1997
WO 03094102	A	13-11-2003	AU 2003224790 A1 17-11-2003
			EP 1500034 A1 26-01-2005
			JP 2005523795 T 11-08-2005