

(19) World Intellectual Property Organization
International Bureau



(43) International Publication Date
28 September 2006 (28.09.2006)

PCT

(10) International Publication Number
WO 2006/101727 A3

- (51) International Patent Classification:
A61M 1/00 (2006.01)
- (21) International Application Number:
PCT/US2006/008153
- (22) International Filing Date: 8 March 2006 (08.03.2006)
- (25) Filing Language: English
- (26) Publication Language: English
- (30) Priority Data:
11/081,460 16 March 2005 (16.03.2005) US
- (71) Applicant (for all designated States except US): ALCON, INC. [CH/CH]; Bosch 69, P.O. Box 62, CH-6331 Hunenberg (CH).

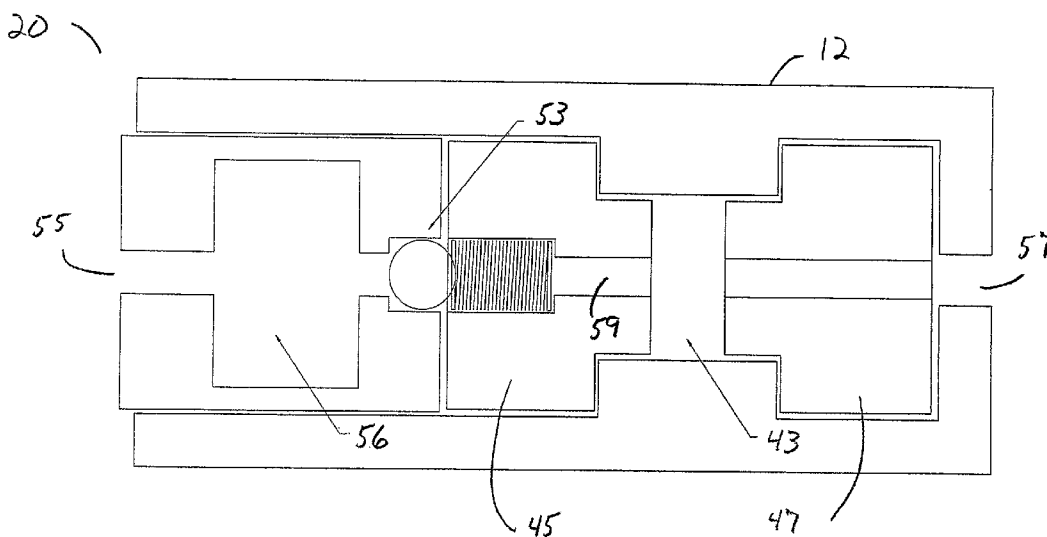
- (81) Designated States (unless otherwise indicated, for every kind of national protection available): AE, AG, AL, AM, AT, AU, AZ, BA, BB, BG, BR, BW, BY, BZ, CA, CH, CN, CO, CR, CU, CZ, DE, DK, DM, DZ, EC, EE, EG, ES, FI, GB, GD, GE, GH, GM, HR, HU, ID, IL, IN, IS, JP, KE, KG, KM, KN, KP, KR, KZ, LC, LK, LR, LS, LT, LU, LV, LY, MA, MD, MG, MK, MN, MW, MX, MZ, NA, NG, NI, NO, NZ, OM, PG, PH, PL, PT, RO, RU, SC, SD, SE, SG, SK, SL, SM, SY, TJ, TM, TN, TR, TT, TZ, UA, UG, US, UZ, VC, VN, YU, ZA, ZM, ZW.
- (84) Designated States (unless otherwise indicated, for every kind of regional protection available): ARIPO (BW, GH, GM, KE, LS, MW, MZ, NA, SD, SL, SZ, TZ, UG, ZM, ZW), Eurasian (AM, AZ, BY, KG, KZ, MD, RU, TJ, TM), European (AT, BE, BG, CH, CY, CZ, DE, DK, EE, ES, FI, FR, GB, GR, HU, IE, IS, IT, LT, LU, LV, MC, NL, PL, PT, RO, SE, SI, SK, TR), OAPI (BF, BJ, CF, CG, CI, CM, GA, GN, GQ, GW, ML, MR, NE, SN, TD, TG).

- (72) Inventors; and
- (75) Inventors/Applicants (for US only): SUSSMAN, Glenn [US/US]; 28602 Rancho Grande, Laguna Nigel, CA 92677 (US). UNDERWOOD, John, R. [US/US]; 29331 Kensington Drive, Laguna Nigel, CA 92677 (US).
- (74) Agents: SCHIRA, Jeffrey, S. et al.; Alcon Research, Ltd., 6201 South Freeway, Q-148, Fort Worth, TX 76134 (US).

- Published:
— with international search report
- (88) Date of publication of the international search report:
27 September 2007

For two-letter codes and other abbreviations, refer to the "Guidance Notes on Codes and Abbreviations" appearing at the beginning of each regular issue of the PCT Gazette.

(54) Title: PUMPING CHAMBER FOR A LIQUEFACTION HANDPIECE



(57) Abstract: A liquefaction surgical handpiece having a capacitance chamber upstream of the boiling chamber.

WO 2006/101727 A3

INTERNATIONAL SEARCH REPORT

International application No.
PCT/US 06/08153

A. CLASSIFICATION OF SUBJECT MATTER

IPC(8) - A61M 1/00(2006.01)
USPC - 604/27

According to International Patent Classification (IPC) or to both national classification and IPC

B. FIELDS SEARCHED

Minimum documentation searched (classification system followed by classification symbols)
USPC 604/27, 604/33, 604/36, 608/27

Documentation searched other than minimum documentation to the extent that such documents are included in the fields searched

Electronic data base consulted during the international search (name of data base and, where practicable, search terms used)

PubWest (USPT, PGFB, EPAB, JPAB); DialogPro(Engineering); Google Patents

Search Terms: liquefaction, handpiece, fluid, heating, reservoir, irrigation, cataract, alcon, sussman, underwood, boiling chamber.

C. DOCUMENTS CONSIDERED TO BE RELEVANT

Category*	Citation of document, with indication, where appropriate, of the relevant passages	Relevant to claim No.
Y	US 6,575,929 B2 (Sussman et al.) 10 June 2003 (10.06.2003), col 3, ln 14,15, 30, 46, 50.	1-2
Y	US 5,261,883 A (Hood et al.) 16 November 1993 (16.11.1993), col 4, ln 2 - col 5, ln 56.	1-2

Further documents are listed in the continuation of Box C.

- * Special categories of cited documents:
- "A" document defining the general state of the art which is not considered to be of particular relevance
 - "E" earlier application or patent but published on or after the international filing date
 - "L" document which may throw doubts on priority claim(s) or which is cited to establish the publication date of another citation or other special reason (as specified)
 - "O" document referring to an oral disclosure, use, exhibition or other means
 - "P" document published prior to the international filing date but later than the priority date claimed
 - "T" later document published after the international filing date or priority date and not in conflict with the application but cited to understand the principle or theory underlying the invention
 - "X" document of particular relevance; the claimed invention cannot be considered novel or cannot be considered to involve an inventive step when the document is taken alone
 - "Y" document of particular relevance; the claimed invention cannot be considered to involve an inventive step when the document is combined with one or more other such documents, such combination being obvious to a person skilled in the art
 - "Z" document member of the same patent family

Date of the actual completion of the international search
15 March 2007 (15.03.2007)

Date of mailing of the international search report

23 MAY 2007

Name and mailing address of the ISA/US
Mail Stop PCT, Attn: ISA/US, Commissioner for Patents
P.O. Box 1450, Alexandria, Virginia 22313-1450
Facsimile No. 571-273-3201

Authorized officer:
Lee W. Young

PCT Helpdesk: 571-272-4300
PCT ODP: 571-272-7774