

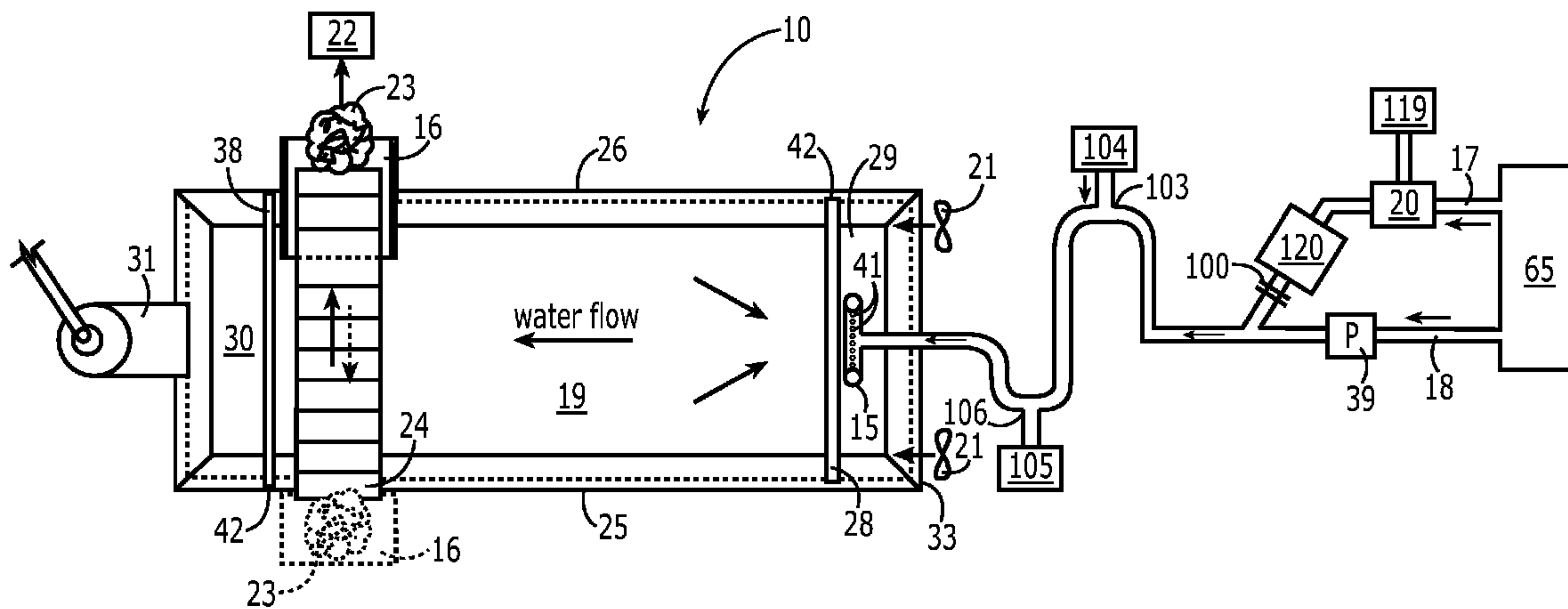


(86) Date de dépôt PCT/PCT Filing Date: 2008/07/31
 (87) Date publication PCT/PCT Publication Date: 2009/03/05
 (45) Date de délivrance/Issue Date: 2012/09/25
 (85) Entrée phase nationale/National Entry: 2010/01/26
 (86) N° demande PCT/PCT Application No.: US 2008/071777
 (87) N° publication PCT/PCT Publication No.: 2009/029381
 (30) Priorité/Priority: 2007/07/31 (US60/952,965)

(51) Cl.Int./Int.Cl. *B03D 1/00* (2006.01)
 (72) Inventeurs/Inventors:
 ALLEN, RONALD P., US;
 JENSEN, KYLE R., US;
 KEYS, DANIEL, US
 (73) Propriétaire/Owner:
 AQUAFIBER TECHNOLOGIES CORPORATION, US
 (74) Agent: ROBIC

(54) Titre : SYSTEME D'ASSAINISSEMENT DE L'EAU ET DE RECUPERATION DES BIOSOLIDES ET PROCEDES ASSOCIES

(54) Title: WATER REMEDIATION AND BIOSOLIDS COLLECTION SYSTEM AND ASSOCIATED METHODS



(57) **Abrégé/Abstract:**

A system and method for remediating a body of water and collecting suspended and dissolved solids therefrom are provided. The system includes a water-impermeable lining positionable in a depression in or adjacent a body of water. The lining and depression define a treatment vessel, which includes a treatment portion, an outlet portion for containing treated water, and an outflow weir between the treatment portion and the outlet portion. Water to be treated is transported from the water body to the treatment portion. An entrapment element is delivered and mixed into the transported water, the entrapment element for capturing suspended and dissolved solids in the transported water and effecting a separation between the captured solids and water cleansed therefrom. The captured solids can be removed from the treatment basin, and the cleansed water can move through a channel in the outflow weir into the outlet portion.



(12) INTERNATIONAL APPLICATION PUBLISHED UNDER THE PATENT COOPERATION TREATY (PCT)

(19) World Intellectual Property Organization
International Bureau(43) International Publication Date
5 March 2009 (05.03.2009)

PCT

(10) International Publication Number
WO 2009/029381 A1(51) International Patent Classification:
B03D 1/00 (2006.01)

[US/US]; 9442 Bear Lake Road, Apopka, Florida 32703 (US).

(21) International Application Number:

PCT/US2008/071777

(74) Agent: HARTT, Jacqueline E.; 255 South Orange Ave., Suite 1401 P.O. Box 3791, Orlando, FL 32802-3791, (US).

(22) International Filing Date: 31 July 2008 (31.07.2008)

(81) Designated States (unless otherwise indicated, for every kind of national protection available): AE, AG, AL, AM, AO, AT, AU, AZ, BA, BB, BG, BH, BR, BW, BY, BZ, CA, CH, CN, CO, CR, CU, CZ, DE, DK, DM, DO, DZ, EC, EE, EG, ES, FI, GB, GD, GE, GH, GM, GT, HN, HR, HU, ID, IL, IN, IS, JP, KE, KG, KM, KN, KP, KR, KZ, LA, LC, LK, LR, LS, LT, LU, LY, MA, MD, ME, MG, MK, MN, MW, MX, MY, MZ, NA, NG, NI, NO, NZ, OM, PG, PH, PL, PT, RO, RS, RU, SC, SD, SE, SG, SK, SL, SM, ST, SV, SY, TJ, TM, TN, TR, TT, TZ, UA, UG, US, UZ, VC, VN, ZA, ZM, ZW.

(25) Filing Language: English

(26) Publication Language: English

(30) Priority Data:

60/952,965 31 July 2007 (31.07.2007) US

(71) Applicant (for all designated States except US):
AQUAFIBER TECHNOLOGIES CORPORATION
[US/US]; 1150 Louisiana Avenue, Suite 6, Winter Park, Florida 32789 (US).

(72) Inventors; and

(75) Inventors/Applicants (for US only): **ALLEN, Ronald P.** [US/US]; 116 River Oak Circle, Sanford, Florida 32771 (US). **BLAND, JR., Thomas G.** [US/US]; 4450 New Broad Street, Orlando, Florida 32814 (US). **FAGAN, William W.** [US/US]; 216 S. Interlachen Ave. Unit 219, Winter Park, Florida 32789 (US). **JENSEN, Kyle R.**

(84) Designated States (unless otherwise indicated, for every kind of regional protection available): ARIPO (BW, GH, GM, KE, LS, MW, MZ, NA, SD, SL, SZ, TZ, UG, ZM, ZW), Eurasian (AM, AZ, BY, KG, KZ, MD, RU, TJ, TM), European (AT, BE, BG, CH, CY, CZ, DE, DK, EE, ES, FI, FR, GB, GR, HR, HU, IE, IS, IT, LT, LU, LV, MC, MT, NL, NO, PL, PT, RO, SE, SI, SK, TR), OAPI (BF, BJ, CF, CG, CI, CM, GA, GN, GQ, GW, ML, MR, NE, SN, TD, TG).

Published:

— with international search report

(54) Title: WATER REMEDIATION AND BIOSOLIDS COLLECTION SYSTEM AND ASSOCIATED METHODS

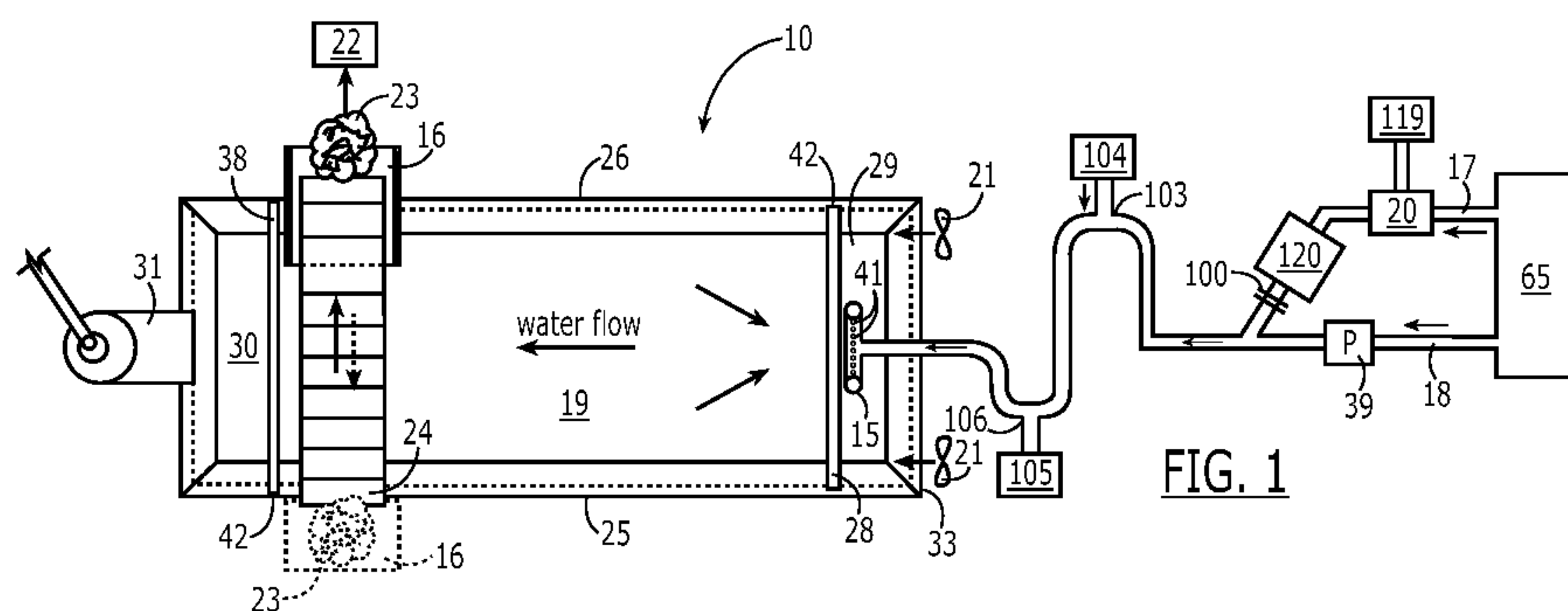


FIG. 1

(57) Abstract: A system and method for remediating a body of water and collecting suspended and dissolved solids therefrom are provided. The system includes a water-impervious lining positionable in a depression in or adjacent a body of water. The lining and depression define a treatment vessel, which includes a treatment portion, an outlet portion for containing treated water, and an outflow weir between the treatment portion and the outlet portion. Water to be treated is transported from the water body to the treatment portion. An entrapment element is delivered and mixed into the transported water, the entrapment element for capturing suspended and dissolved solids in the transported water and effecting a separation between the captured solids and water cleansed therefrom. The captured solids can be removed from the treatment basin, and the cleansed water can move through a channel in the outflow weir into the outlet portion.

WO 2009/029381 A1

WATER REMEDIATION AND BIOSOLIDS COLLECTION SYSTEM AND ASSOCIATED METHODS

BACKGROUND OF THE INVENTION

Field of the Invention

The present invention relates to systems and methods for water remediation and biosolids collection, and, more particularly, to such systems and methods for remediating water and collecting water-borne solids using solids entrapment.

Description of Related Art

10 Dissolved air flotation (DAF) is a liquid process technology that uses micro-bubble air flotation to raise and remove suspended solids in an aqueous solution such as industrial process water, municipal waste water, and/or lake water.

DAF systems known in the art are constructed from steel or concrete tanks. Large liquid above-ground vessels require structural steel plate and backing stiffeners to preclude deformation of the tank walls during hydrostatic loading when full to operating levels. The steel vessels also require footings to transfer loads to soil with appropriate bearing capacities. Inert materials like 314 and 316 Stainless Steel or exotic epoxy coating systems are typically used to retard corrosion.

20 Wind mixing of shallow lakes causes loose non-photosynthetic sediment material to rise into the photic zone temporarily. This reactive nutrient-laden sediment often feeds the algae in the photic zone of an impaired (hypereutrophic) lake and causes a perpetual algal bloom, which can in some cases even be seen from space (the orbiting Space Shuttle can differentiate hypertrophic Lake Apopka in Florida from other lakes, for example). One means of water remediation is to remove, or harvest, suspended solids (SS) and the nutrients incorporated thereinto.

Traditional approaches for SS removal use large expanses (5,000 - 45,000 acres) of flooded wetland filters where quiescent conditions cause the SS to sink out

and form soil. As soil decays, much of the settled-out nutrients go back into solution, causing inefficiency. If toxic cyanobacteria algae settle out in the wetland, toxins can become available to wildlife for years, both in soil and water. Still, this has been a preferred method for remediation where a great expanse of land is available.

5 A known difficulty in remediating water bodies is that systems must often operate where the soil is soft and wet, for example, adjacent or on lake shores. The expense associated with providing excavation, fill, and soil stabilization can be prohibitive, and the result unsightly in an area that is supposed to be being improved. Therefore, DAF systems have been considered unsuitable for on-site water body remediation. In
10 addition, for at least some of the same reasons, using DAF technology in a water body has not been considered to be practicable.

Prior known DAF systems require a precise balancing of criteria such as inflow rate, coagulant delivery parameters, and sludge and flotation removal in order to function effectively. As larger DAF systems are known to be prohibitively expensive,
15 the trend has been towards smaller vessels having specific geometries for optimizing filtration.

Other problems faced at the present time are the growing expense and decreasing supplies of fuel, and the disposal of biomass generated by bioremediation systems such as algal floways and other aquatic plant systems.

20 Therefore, it would be desirable to provide a system and method for remediating a body of water that is economical and effective, and that does not disturb an aesthetic appeal of the water body and the surrounding area. It would also be desirable to provide a system and method for disposing of collected biosolids and for generating fuel therefrom.

25

SUMMARY OF THE INVENTION

The present invention is directed in one aspect to a vessel construction that is innovative over and is significantly less costly than known water remediation and biosolids collection constructions. The present system includes structural differences
30 from previously known systems, wherein flexural tension and compression capacity are provided by an extant support structure, such as soil or a body of water or a combination thereof.

According to an aspect of the present invention, there is provided a system for remediating a body of water and collecting suspended and dissolved solids therefrom, the system comprising:

a water-impervious, flexible sheeting positionable to line a depression in or adjacent a body of water desired to be treated, the sheeting conformable with a surface of the depression, the sheeting and depression defining at least a portion of a treatment vessel, the vessel comprising a treatment portion having an inlet for receiving water to be treated, an outlet portion for containing treated water, and an outflow weir between the treatment portion and the outlet portion, the outflow weir extending to a top end higher than a water surface, and extending across the vessel to side edges sealed against the opposed sides of the vessel;

means for transporting water to be treated from the water body to the treatment portion inlet;

means for delivering a stream of bubbles into the transported water upstream of an outlet end of the transporting means;

means for mixing the bubbles with the transported water, the bubbles for capturing suspended and dissolved solids in the transported water, effecting a separation between the captured solids and water cleansed therefrom, and carrying the captured solids to the water surface; and

means for removing the captured solids from the treatment portion, the cleansed water movable through a channel in the outflow weir into the outlet portion.

According to another aspect of the present invention, there is provided a method for remediating a body of water and collecting suspended and dissolved solids therefrom, the method comprising:

transporting water from a body of water to an inlet of a treatment vessel, the treatment vessel formed by a water-impervious, flexible sheeting positioned in and conforming with a depression in or adjacent a body of water desired to be treated;

delivering a stream of bubbles into the transported water upstream of a treatment portion of the treatment vessel;

mixing the bubbles with the transported water, the bubbles for capturing suspended and dissolved solids in the transported water, effecting a separation between the captured solids and water cleansed therefrom, and carrying the captured solids to a surface of the water;

channeling the mixed water and bubbles to the treatment portion;

removing the captured solids from the treatment portion; and

10 permitting the cleansed water to move into an outlet portion of the treatment vessel.

According to another aspect of the present invention, there is provided a method for constructing a water-remediation and solids-collection system comprising:

positioning a water-impervious, flexible sheeting in a depression in or adjacent a body of water desired to be remediated and from which solids are desired to be collected, the sheeting conformable with a surface of the depression; and

20 positioning an outflow weir adjacent an outlet end of the vessel to extend to a top end at least as high as an intended level of water in the treatment vessel, and across the vessel to side edges sealed against the opposed sides of the vessel, the outflow weir and an outlet portion of the vessel sides containing the outlet end defining an outflow portion;

providing means for transporting water to be treated from the water body to a region of the treatment basin;

providing means for delivering and mixing a stream of bubbles into the water being transported upstream of an outlet end of the transporting means, the bubbles for capturing suspended and dissolved solids in the transported water, effecting a separation between the captured solids and water cleansed therefrom, and carrying the captured solids to a water surface;

providing means for removing the bubbles and captured suspended solids from the treatment basin; and

providing means for channeling the cleansed water out from the outflow basin.

Preferably, the present invention achieves SS and dissolved solids removal by an innovative scale up of a solids entrapment process, such as, but not intended to be limited to, DAF. While DAF systems do not settle out 100% of the SS, they sequester and process all that they do remove, precluding release back into the surface water. This results in a huge increase in the nutrient removal per unit area when compared to known wetland techniques. Further, elements such as toxic algae are safely removed from the ecosystem, avoiding wildlife exposure.

Many scientists, such as the team at the St. Johns River Water Management District (SJRWMD), have studied solid removal systems such as DAF for application in polluted lakes such as Lake Apopka, Florida, as well as other surface waters, but found the scale of traditionally manufactured process components to be far too small and not economically feasible for the mammoth flow required for lake-scale applications.

Preferably, the present invention teaches a vessel construction and use that includes finely contoured excavations, geo-membrane technologies for soil, and inexpensive liner membranes to build a basin that does not require foundations or expensive steel or concrete vessels. Wind, gravity, tensile, flexural, and compressive loads from liquid pressure do not need to be resisted by the moisture barrier component of the vessel, thus greatly reducing the cost to construct a very large vessel.

Preferably, a system for remediating a body of water and collecting suspended and dissolved solids therefrom is provided. The system comprises a water-impervious lining that is positionable in a depression in or adjacent a body of water desired to be treated. The lining and depression define outer boundaries of a treatment vessel, which comprises a treatment portion having an inlet for receiving water to be treated, an outlet portion for containing treated water, and an outflow weir between the treatment portion

5a

and the outlet portion. The outflow weir extends to a top end higher than a water surface, and across the vessel to side edges sealed against the opposed sides of the vessel.

Preferably, means are provided for transporting water to be treated from the water body to the treatment portion, for delivering an entrapment element to the transported water, and for mixing the entrapment element with the transported water. The entrapment element is for capturing suspended and dissolved solids in the transported water and effecting a separation between the captured solids and water cleansed therefrom. Means are also provided for removing the captured
10 solids from the treatment basin. The cleansed water is movable through a channel in the outflow weir into the outlet portion.

Preferably, the entrapment element can comprise one or more of a number of elements, such as, but not intended to be limited to, dissolved gas bubbles, a coagulant, and a flocculant.

Preferably, in an embodiment, the vessel comprises an inflow baffle positioned adjacent an inlet end of the vessel. The inflow baffle extends from a bottom of the vessel at a bottom end to a top end beneath a water line in spaced relation from a top edge of the vessel, and extends across the vessel to side edges sealed against opposed sides of the vessel. The inflow baffle and an inlet portion of
20 the vessel sides containing the inlet end thereby define an inflow basin. In some embodiments, the inflow baffle is not employed.

Preferably, the vessel further comprises an outflow channel adjacent an outlet end of the vessel, adjacent the vessel bottom, and in spaced relation from the vessel top edge. The channel provides a pathway for cleansed water, which typically will reside at and adjacent the vessel bottom, to exit the vessel, while retaining floating material in the vessel for removal therefrom.

Preferably, in a particular embodiment, the channel can be formed by an outflow weir that extends from a bottom end in spaced relation from the vessel bottom to a top end at least as high as the vessel top edge, and extends across the vessel to side edges

5b

sealed against the opposed sides of the vessel. The outflow weir and an outlet portion of the vessel sides containing the outlet end thereby define an outflow basin. The inflow baffle, if present, and the outflow weir define a treatment basin therebetween; if there is no inflow baffle, the inlet end and the outflow weir define the treatment basin.

Preferably, in another embodiment, the channel can be formed by an aperture through the vessel outlet end, the aperture positioned adjacent the vessel bottom and in spaced relation from the water surface.

Preferably, in a further embodiment, the channel can comprise piping having an inlet adjacent the outlet end, adjacent the vessel bottom and in spaced relation
10 from the water surface. Pumping can then remove cleansed water through the piping.

Preferably, means are further provided for removing the bubbles and captured suspended solids from the water surface in the treatment basin. Water cleansed of the suspended solids can move through the outflow channel to a desired destination, for example, back into the water body.

Preferably, in another embodiment for use with floating vessels, a DAF system may not be included, and solids entrapment means can be employed such as coagulants and/or flocculants, alone or in combination. An inlet of the floating vessel channels water to be treated to a treatment zone, wherein the solids entrapment means is added to the
20 water and mixed. The entrapped solids will either float or sink, depending upon the type of entrapments means used. Water from which the solids has been removed is channeled out from the vessel, and the entrapped solids are collected and ultimately removed from the vessel.

The features that characterize the invention, both as to organization and method of operation, together with further objects and advantages thereof, will be better understood from the following description used in conjunction with the accompanying drawing. It is to be expressly understood that the drawing is for the purpose of illustration and description and is not intended as a definition of the limits of the invention. These and other objects attained, and advantages offered, by the present

5c

invention will become more fully apparent as the description that now follows is read in conjunction with the accompanying drawing.

BRIEF DESCRIPTION OF THE DRAWINGS

FIG. 1 is a top plan view of an exemplary dissolved-air-flotation device for the removal of suspended solids in wastewater.

FIG. 2 is a side cross-sectional view of the embodiment of FIG. 1.

FIG. 3 is a side cross-sectional view of an embodiment for immersion in a body of water.

FIG. 4 is a side cross-sectional view of an embodiment having no separate inflow basin, and including piping for channeling cleansed water out of the treatment basin.

FIGS. 5 and 6 are top plan and side cross-sectional views of an embodiment wherein a channel is formed around an outlet portion of the vessel using suspended weirs, and floating material is removed from a gutter.

FIG. 7 is a top plan view of an embodiment for use with flowing water.

FIG. 8 is a side cross-sectional view of an inclined earth wall.

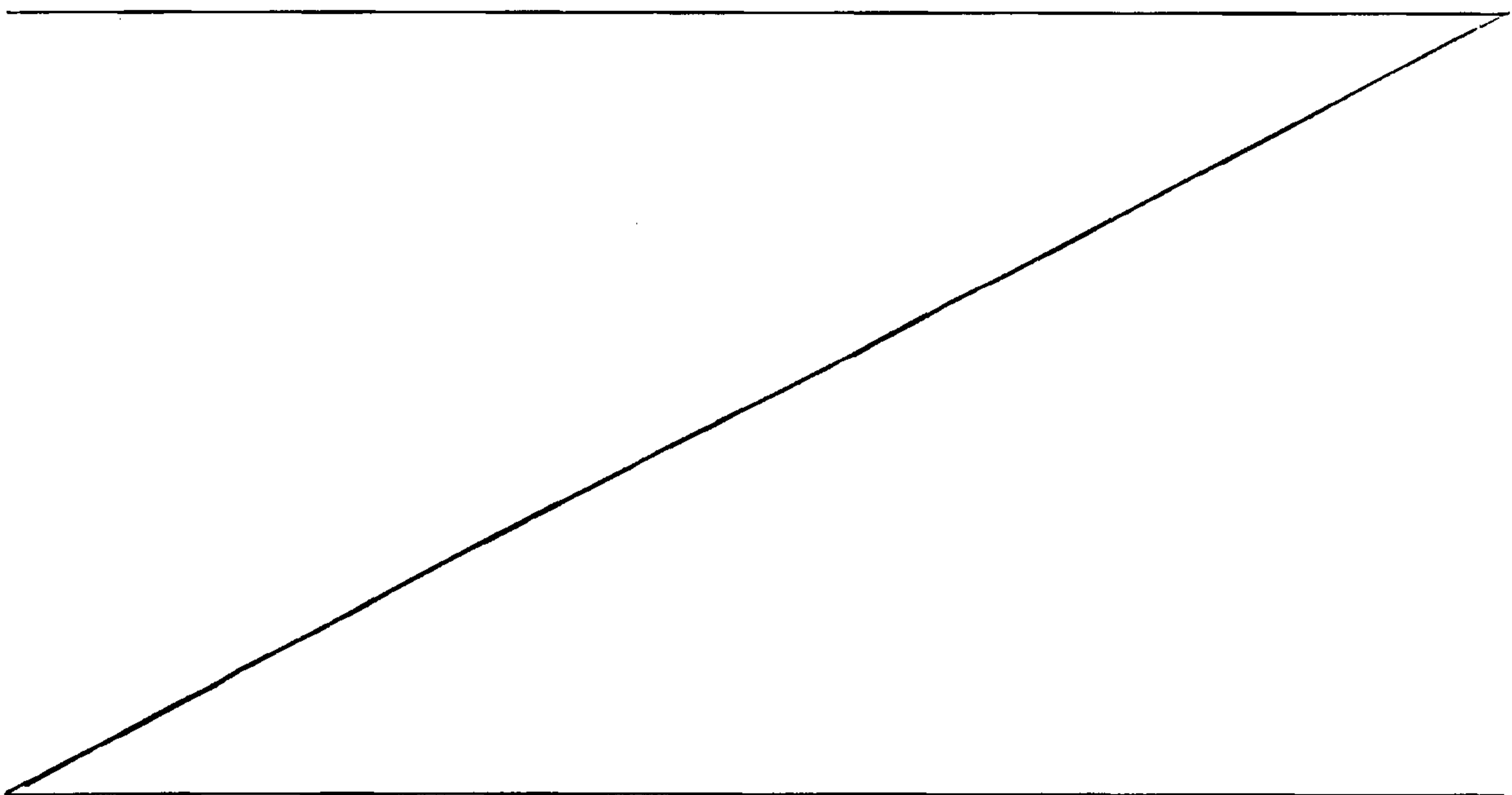


FIG. 9 is a side cross-sectional view of a sloped earth wall.

FIG. 10 is a side cross-sectional view of a device for dewatering collected floating material.

FIGS. 11 and 12 are top plan and side cross-sectional views of a floating platform or barge for remediating water and collecting entrapped solids.

FIGS. 13 and 14 are top plan and side cross-sectional views of a floating, modular water-remediation and entrapped solids collection system

FIG. 15 is a side cross-sectional view of an alternate embodiment of the system of FIGS. 13 and 14 for collecting settled entrapped solids.

DETAILED DESCRIPTION OF THE PREFERRED EMBODIMENTS

A description of the preferred embodiments of the present invention will now be presented with reference to FIGS. 1-15.

A DAF vessel **10** of the present invention has the following components: inflow zone, flotation cell zone, flotation collection zone, and outflow zone. Setttable solids drop to the bottom, and a collection system or underdrain piping periodically removes them. In a preferred embodiment **10**, solids float to the surface and are removed onto a ramp, also called a beach **16**, via chain and flight scrapers or other methods. Typically 0.5 to 7 gpm flow per square foot of flotation zone can be used for sizing of filters depending on many variables. A preferred minimum depth is 12 in., and the depth can exceed 12 ft.

An important element of this flotation process is carefully crafted air micro-bubbles in solution. The generation of micro-bubbles can be accomplished with an air saturation tank, liquid high-pressure pump, and an air compressor in a system, which allows a clean side stream **17** of micro-bubble water to be held under pressure, for a period of time, so that when the pressure is released, tiny micro-bubbles form in the water feed tube **18** that ultimately release in the DAF basin and float SS up to the surface for collection. There are many micro-bubble generators **20** with various characteristics, depending on the specific application.

The rise within the DAF system **10** of the micro-bubbles is related to the size of the bubbles. The smaller the bubbles, the smaller the particulate matter that floats and

the slower the rate of rise. An exemplary desired rate of rise is 1 ft/min, which can be achieved with bubbles 10 to 20 micrometers in diameter.

Minute concentrations of ozone or other coagulation means or chemicals bring together small particles by altering their surface charges so that they form larger particles or "flocs," which can be floated by larger bubbles, with a faster rate of rise. Flocculation occurs during gentle mixing of water, coagulant, and SS. These variables contribute to an efficient DAF filtration system with balanced volume-to-flow ratios.

DAF systems are known for their ability to produce a waste stream of very high solids concentration, in the range of 1 to 5%. In large lake or surface water systems, this is a significant advantage, owing to the advance of material to dewater and dispose.

Algae are particularly difficult to dewater because surface charges cause the cells to repel each other. Evolutionary selection has suited planktonic algae with a hydration advantage. Because of their surface charge density, interstitial spaces remain between them that can retain water for surviving dry conditions, where crowding would isolate and kill closely buried cells.

Coagulation chemistry alters the ionic charge at the surface of algal cells and other SS, such that they come together to form a flake. This aggregated flake is of sufficient size that it can be floated with micro-bubbles introduced to the DAF inflow. A desired micro-bubble size range is 5-50 micrometers, with an optimal size in the 10-20 micrometer range.

Ozone pretreatment is known to greatly enhance coagulation chemical effectiveness, by as much as 90%. Ozone prepares the ionic charge and charge density so that small particles cling together by static charge. Ozone takes SS from a difficult-to-dewater state and helps consolidate SS, allowing greater water removal and de-watering.

The *zeta potential* can be defined as the potential of distance to charge density relationships on a microscopic particle. The zeta potential increases rapidly close to the surface of the particle, and decreases as the distance increases, at an accelerated rate. Coagulation chemistry is finally applied to satisfy and change the more neutral charge farther from the cell, so that it is drawn to adjacent cells. With this method, agglomeration and dewatering can be achieved more quickly than with evaporation alone. One or more coagulation chemicals or methods can be used for optimal results

in different water systems or in the same water system depending on seasonal fluctuation and concurrent phytoplankton/SS speciation changes.

Some common coagulation chemicals can include: calcium hydroxide, calcium oxide, calcium carbonate, poly aluminum chloride (PAC, which can also serve as a flocculant, and is believed at the time of filing to represent the preferred embodiment), aluminum chlorhydrate, cationic polymers, anionic polymers, ferric chloride, and aluminum sulfate. Along with polymer chemicals, many other substances can be used to aid ozone coagulation, such as alginates and other natural products. Some common natural substances include: sodium alginate, clays, sodium in complex with other materials, macerated algal cells, powdered carbon, chitin, and starches.

The DAF provides synergistic benefits when configured in an ozone/DAF/periphyton sequence. Ozone/oxygen gas commences oxidation with rapid ozone-mediated reactions. Oxygen mediates follow-on reactions, which take considerably longer. An oxidation-reduction reaction requires up to 80 minutes to occur in the ozonation/oxidation of lake water. The main body of the DAF can be sized for sufficient volume to allow reactions to complete prior to entering the periphyton filter.

Electro-coagulation may be used with ozone and/or natural or chemical products for optimal coagulation. Electro-coagulation utilizes anodes and electric current to alter particle surface charges. A combination of one or more coagulation methods can yield a very cost-effective coagulation system.

The DAF system **10** also removes microinvertebrates in the inflow, keeping them from damaging aquatic plant like periphyton crops, which have been cultured to remove nutrients such as nitrogen and phosphorus.

As previously discussed, DAF technology is known for its ability to remove high solids content. This is much higher than other technologies, such as sand filters, which are typically below 1% in solids rejected. Handling of high-solids waste streams requires special pumping systems and handling considerations. Physically locating the DAF adjacent to the drying beds or thickening process, near the solids raking system, adjacent the DAF, allows for further thickening without high solids pumping or physical distribution with mechanized equipment.

One embodiment of a DAF system **10** (FIGS. 1 and 2) induces micro-bubbles into a specially modified dirty water micro-bubble generator pump **20** receiving air from

an air source **119**. The micro-bubble generator pump **20** forces compressed air into the pressure part of the pump **20**, and forces fluid through piping **17** receiving from the water body **65**. The formed micro-bubbles mix with the water and proceed to a saturation tube **120**, which comprises a wider section of the piping **17**. The saturation tube **120** provides the bubbles with residence time to distribute into the water. The saturation tube **120** is followed by a cracking valve **100**, which restricts flow and causes pressure to build in the saturation tube **120** to assist in bubble mixing. The micro-bubble solution then joins with the main flow **18**.

The main flow **18** proceeds through a serpentine pipe, along which are two injection ports in this particular embodiment **10**. Through a first injection port **103** is inserted a coagulant from tank **104**. Through a second injection port **106** downstream of the first injection port **103** is inserted a flocculant from tank **105**. In an alternate embodiment, the flocculant can be inserted directly into the inflow basin **29**. It is believed that coagulant causes biomass such as algae to form flocs, since the surface charge is altered. These flocs form among the micro-bubbles. The flocculant then attaches the flocs together around the bubbles.

This embodiment of a DAF filter system **10** has an inflow compartment or basin **29** into which the micro-bubble/influent mixture is pumped **39** through piping having a generally "U"-shaped end portion **40** into a manifold **15** having a plurality of apertures **41**, preferably pointing upwards. The water in the inflow basin **29** is allowed to sit undisturbed, substantially at zero velocity, to dissipate energy, which is preferred for light SS to separate and rise with the micro-bubbles. The water passes over an inflow baffle **28** having sealed sides **42**. The inflow baffle **28** extends from a bottom end **281** at the vessel bottom **43** to a top end **282** beneath the top edge **44** of the vessel **10**. This places the SS and bubbles **23** at the surface **36**, promoting a consolidation of floating solids/biomass to form. The inflow baffle **28** also contains any solids that are heavy and not influenced by the bubble interaction. A flotation chamber **19** downstream of the inflow basin **29** receives a blanket of floated SS **23** that is transferred to a collection point and removed by a conveyor **24** or other means. In some cases the inflow baffle **28** can be eliminated in lieu of a serpentine discharge manifold placed 1-2 ft below the water surface.

A solids raking system with chain, paddles (flyghts), and sprockets can be used to collect the floated SS **23** to a beach **16**, which lifts the SS off the water surface **36** and into a drying bed, geotube (FIG. 10), or other dewatering equipment, where it is further dewatered. In cases where the DAF treatment basin **19** is so wide that the raking system has to span a great distance, semi-buoyant paddles can be used to reduce span requirements. Alternatively, a traveling rake can be used to push the floated SS **23** to the conveyor **24**.

One or more static or pneumatic blowers **21** can also be used to generate air currents to move the floating scum **23** to the conveyor **24** and beach **16** and into a collection receptacle **22**. In the embodiment illustrated, the conveyor **24** comprises a reversible device having a moving belt for conveying the raked scum **23** toward the beach **16**, or, in the other direction, another beach **16'** or collection vessel. Here the conveyor **24** extends across the treatment basin **19** from a first side **25** to an opposed second side **26**.

A drainage system under the DAF liner **27** can be used to allow sub-surface water and gases to vent and preclude displacement of the liner **27** from its desired location at the soil surface. A media-covered under-drain **11** can be positioned within the DAF chamber **19** for extracting all or part of the DAF during maintenance.

Many methods can be used to process the floated solids for disposal or use. One embodiment moves solids from the collection receptacle with a pump, which conveys the scum filtrate to a dewatering facility, which can be positioned nearby. A centrifuge can be used in some embodiments to dewater the floated scum to a wet cake, typically in the 20-30% solids range.

Alternatively, dewatering can be accomplished with the use of a geotube **200** (FIG. 10), which receives the scum **23** via piping **201**. The geotube **200** is positioned on a surface **202** and is covered with a water-impermeable, for example, clear plastic, sheet **203**. Between the geotube **200** and the sheet **203** a fan **205** blows air, which creates a space **204**. The sun heats the space **204**, which assists in the dewatering process. Water exiting the geotube **200** exits through an underdrain **206**.

With a liner **27** as the sole containment means, an economical design method exists to build a very large DAF filter process unit **10** at low cost, when compared with conventional steel and concrete vertical structures with footings and foundations. This

embodiment **10** provides an enhanced ability to use DAF technology well beyond the scale of traditional metal and concrete vessel designs, which have limitations due to construction cost. Geotextiles can be used in construction of the DAF liner **27**.

Effluent from the DAF system **10** flows under an outflow weir **38** that is sealed at the sides **42**, and extends from a bottom end **381** in spaced relation from the vessel bottom **43** to a top end **382** no lower than the vessel's top edge **44**. The outflow weir **38** seals off surface flow, entrapping the floating solids **23** in the flotation chamber **19**. The clarified effluent is then transferred from the outflow basin **30** by piping **31**. An effluent pump **32** having a float switch **34** can be used to pump the effluent to a lake or to follow-on process units such as ozone and/or periphyton filters and/or other process systems. In the embodiment shown in FIGS. 1 and 2, the basin **19** slopes toward the upstream end **33** of the basin **19**, which permits solids to collect in and adjacent a pit **35** in the bottom surface.

Yet another DAF embodiment **140** (FIGS. 5 and 6) comprises alternate forms of the floated material collection system and outflow weirs. Here the DAF basin **141** has a flexible sheet **142** suspended by a flotation element **143** affixed to a top edge **144** thereof. Along an inlet portion **145** of the basin **141**, the sheet **142** is weighted or affixed in some other manner at a bottom edge **146** to a bottom **147** of the basin **141**. Along an outlet portion **148**, the bottom edge **146** is in spaced relation from the basin bottom **147**. Thus, water entering the manifold **15** is discharged within an interior treatment portion **149** of the basin **141**, wherein floating material **150** rises to the water surface **151**. Cleansed water then exits under the bottom edge **146** of the sheet **142** to a peripheral portion **152** of the basin **141**, from which it can be pumped out. In a subembodiment, the basin bottom **147** is sloped so that the sheet's bottom edge **146** reaches the basin bottom **147** along the inlet portion **142** but is suspended thereabove along the outlet portion **148**.

The floating material **150** in this embodiment **140** is collected with the use of a movable rake **153** that skims across the water surface **151** and pushes the floating material **150** into a gutter **154**. The collected floating material **150** can then be pumped **155** from the gutter **154**.

Baffles can be made from the same membrane as the basin. Membrane material such as HDPE landfill liner, polyethylene, and a wide variety of synthetic rubber

liners can be used, although this is not intended as a limitation. A geotextile drainage system **11** is also employed to allow removal of water from under the DAF liner **27**. This allows for predictable performance for the lined earthen basin **19** against ground water and gas discharge, which could displace the liner **27**.

5 An alternative embodiment of a DAF system **130** (FIG. 4) contains no inflow basin, and, rather than having an outflow weir with a space therebeneath as in FIGS. 1 and 2, the outflow channel comprises a pipe **131** extending through a constructed outflow weir **132**. This outflow weir **132** can comprise, for example, a concrete or other structure that extends from the bottom **133** of the DAF basin **134** to a top **135** at least
10 as high as the water surface **136**. The pipe's inlet end **137** receives cleansed water from adjacent the basin bottom **133** and discharges water from an outlet **138** within an outflow basin **139**. As above, the cleansed water in the outflow basin **139** can then be transported therefrom to a desired location, such as back to the water body **65**.

In some applications a DAF system **50** can be floated (FIG. 3) at the surface **66**
15 of a body of water **65**, similar to a partially submerged boat hull. In this case, the construction can utilize light-gauge steel, aluminum, or fiberglass material for the walls **51** instead of a membrane, resulting in lighter structure and lower cost, and eliminating the requirement to resist land-based wind loads. A cover **52** can be used to isolate the DAF surface **53** against wind and jumping waves, which could corrupt the flotation
20 process. A flotation collar **59** helps keep the system **50** afloat. A service barge can supply a motor-driven micro-bubble pump **54**, chemical storage, and filtrate storage basin. Water can flow out over check valve **105** back to the water body **65**; however, if a wave flows toward the basin **50**, the check valve **105** will prevent inflow. This design uses no land and allows relocation of the DAF **50** with relative ease when compared
25 with a land-based vessel. This boat-style DAF **50** is very well suited to dredging projects.

In the embodiment shown, the main inflow **55** joins the micro-bubble side stream **56**, through a coagulant injection point, to the inflow manifold **57**, again upstream of an inflow baffle **58**. Again, solids **60** collect on the surface **53**, and are collected with a scum rake **62** and scraped to a tender barge adjacent the floating DAF **50**, or are
30 pumped directly to a land-based collection system. Cleaned water flows beneath an

outflow weir **63** into an outflow basin **64**, from whence it exits the system **50** into the main basin **65**.

Additional floating embodiments may be contemplated (FIGS. 11-15), wherein the vessel can be movable through the body of water, or passively floating. These
5 embodiments can be used with or without a DAF system, and rely in large part on natural water movement, such as choppiness, currents, or wave action, or the movement of water relative to a moving vessel, to channel water to a treatment unit. The collected solids can contain such components as plankton varieties, microinvertebrates, and small fish, which can ultimately be processed into fuel such as
10 biodiesel.

A system **180** including a floating platform or barge serving as a vessel **181** for remediating water and collecting entrapped solids is illustrated in FIGS. 11 and 12. If the vessel **181** comprises a floating platform, anchors and tethers **182** (shown with dotted lines) are used to retain the vessel **181** in a substantially fixed location, and a
15 pump may be used to draw water in. If the vessel **181** comprises a barge, during operation, the barge will be moving to create relative motion with the water body.

The vessel **181** has a water inlet, or aperture, **183** at an inlet end **184**, which in the case of a barge would be the forward end. The water inlet **183** has an opening **185**, and, in some embodiments, a plurality of openings **185**, in fluid communication with the
20 water body **186**. A check valve **187**, such as a flapper check valve, although this is not intended as a limitation, is positioned along the inlet channel **183**. The check valve **187** serves to allow water to enter but not to escape, and also prevents the treatment basin **188** downstream of the check valve **187** from overflowing.

Downstream of the check valve **187** is positioned at least one port **189** for the
25 introduction of an entrapment element **190**, such as a coagulant or a flocculant or a combination thereof. Following the at least one port **189** is a mixing pathway **191**, which can comprise in one embodiment a serpentine flow path created by a plurality of interdigitating curtains **192** that can be suspended from a cover **198** in an orientation such that their inner ends overlap. The mixing pathway **191** causes a turbulent flow to
30 achieve blending of the entrapment element **190** into the incoming water.

The entrapment element **190** causes suspended and dissolved solids to coalesce and form either a floating mass or a settled mass, depending upon the system

conditions. In the embodiment shown in FIGS. 11 and 12, floating solids **193** are moved toward the outlet end **194** of the vessel **181** using a moving rake **199**, where they are collected in a gutter **195** or on a ramp **195'**, or by other means, and then extracted to another location, on or off the vessel **181**. Cleansed water beneath the floating solids **193** flows out an outlet **196** at the outlet end **194**.

Another system **210,210'** including a floating platform or barge serving as a vessel **211** for remediating water and collecting entrapped solids is illustrated in FIGS. 13-15. If the vessel **211** comprises a floating platform, anchors and tethers **212** (shown with dotted lines) are used to retain the vessel **211** in a substantially fixed location, and a pump may be used to draw water in. If the vessel **211** comprises a barge, during operation, the barge will be moving to create relative motion with the water body.

The vessel **211** is divided into a plurality of substantially parallel channels **231**, each of which has a water inlet **213** at an inlet end **214** in fluid communication with the water body **218**. The channels **231** can be formed, for example, by curtains **215** suspended from a cover **216** or from a flotation element.

The system **210,210'** comprises at least one port **219** for the introduction of an entrapment element **220**, such as a coagulant or a flocculant or a combination thereof. Following the at least one port **219** is a mixing pathway **221**, which can comprise in one embodiment a serpentine flow path created by a plurality of interdigitating curtains **222** that can be suspended from the cover **216**. The mixing pathway **221** causes a turbulent flow to achieve blending of the entrapment element **220** into the incoming water.

The entrapment element **220** causes suspended and dissolved solids to coalesce and form either a floating mass or a settled mass, depending upon the system conditions. In the embodiment **210** shown in FIG. 14, floating solids **223** move toward the outlet end **224** of the vessel **211**, where they are collected in a ramp **226**, or by other means, and then extracted to another location, on or off the vessel **211**. Cleansed water beneath the floating solids **223** flows out an outlet **227** at the outlet end **224**.

In the embodiment **210'** shown in FIG. 15, settled solids **223'** move toward a settling zone **228** at the bottom **229** of the vessel **211**, from where they are extracted. This embodiment **210'** can include a floating curtain **230** as a cover. It will be

understood by one of skill in the art that a combination of these embodiments **210,210'** could also be envisioned.

It will also be understood by one of skill in the art that an additional unit such as a DAF could be added to these systems **180,210** following the mixing pathways
5 **191,221** to assist in solids entrapment.

A further embodiment of a DAF system **160** (FIG. 7) can be used to cleanse flowing water from a river **161**, for example. In this system **160** the "basin" **162** comprises a side stream channeled from the river **161**, under control of a gate valve **163** at an inlet **164**. Coagulants **165** and flocculants **166** are injected **167,168**
10 downstream of the gate valve **163** as above. Floating material **169** can be collected on a conveyor/rake **170** and beach collection area **171** as above, or by other means, and cleansed water flows under an outflow weir **172**, also as above, and thence to join the river **161** at an outlet **173** of the system **160**.

There are many possible uses for the solids removed from the DAF process.
15 One such application is a soil amendment applied to soils poor in nutrients, where the tilth and macro- and micronutrients are amended. Another use is as a fluid soil culture system such as in sod culture over a membrane. Another use is as a fiber or filler in paper and paper product manufacturing process. Yet another use is as a feedstock for methane and ethanol, or other alcohol (e.g., butanol) production. Algal oil can also be
20 extracted and processed into biodiesel. A further use is as a feed for animals.

The DAF vessel **10** can be constructed for use in floating applications where water in the basin supports the vessel walls, and greatly reduces the thickness of vessel walls, supporting structure, and foundations and allows mobile floating DAF for dredging or SS removal applications from surface waters.

The DAF solids can be connected to the outflow system directly adjacent to the
25 DAF such that high-solids floatables can be dried without conveyance. Solids can be collected with a conveying pneumatic blower. Semi-buoyant paddles can be used on the rake system. Membrane baffles can be used with stiffening spars or elements to help them keep their desired planar geometry and position within the vessel.

In the creation of the liner for the systems **10,50**, geotextile or nursery ground
30 cloth can be used, and excavations can have slopes steeper than the angle of repose of the soil **12**. If the walls are over-excavated and built in 6-12-in. lifts wherein fabric

liner **27** is formed on a three-sided tube, this restrains the soil **12** and increases the horizontal shear over just soil alone. Higher, more vertical, soil-retaining wall structures can be built using this method.

5 A soil membrane DAF **70** (FIG. 9) can be constructed in ground **71** below grade and perimeter bermed **72**, with a geotextile liner **73** as above supporting the water basin **74**. this embodiment **70** also illustrates a principle that can operate in any DAF embodiment, namely, subdivision into individual sectors **75** using "curtains" **76** that can have floaters **77** at a top end and an anchor **78** at a bottom end.

10 A similar system **80** can also be positioned above the existing grade, and/or manmade structures used to bolster the basin wall, or change the angle thereof, since it is currently believed that a steeper angle is preferable. In the system **80** shown in FIG. 8, for example, a plurality of "fill cells" **81** can be created by laying geotextile liner **82** on the ground **83** and placing soil **84** or other material atop a portion of the liner **82** up to where the liner **82** is intended to define the basin **85**, leaving a length of liner **82**
15 uncovered. This uncovered portion **86** can then be folded back over the compacted soil **84**, and this process repeated with additional cells **81** until a desired height is reached. If desired, a stiffening element **87** can be inserted between adjacent cells **81** to improve stability. When complete, another liner **88** is placed to line the basin **85** as above, and water **89** channeled thereinto. Well point dewatering techniques can allow in-ground
20 construction where the water table is near the surface.

In another embodiment, excavations can simply rely on the natural angle of repose of the soil and incorporate cable- or float-supported membrane curtains to form the vertical walls of the liner-based, ditch-style DAF.

25 Ozone, DAF, and periphyton systems can be used in a modular system to remove microinvertebrates and particulate nutrients bound in algae and bacteria, as well as dissolved nutrients.

30 The collected material can be used as a soil amendment, hydro-seed carrier, and soil stabilizer. The collected material and other aquatic biomass can also be used in paper or a paper product, with or without coagulation chemicals and other substances to increase freeness, increase adhesion to fibers, and aid drainage. The SS and other aquatic biomass can be used in a fluid soil culture system with and without coagulation

chemicals and other substances. The collected biomass can also be used to create hydrogen/biodiesel/alcohol fuels.

Another benefit of the systems of the present invention is that a certain degree of desalinization has been found to occur, approximately 50-60%, which could be extremely beneficial for the creation of fresh water from seawater.

Electro-coagulation can be employed for enhancing the performance of the soil and membrane DAF with and without other coagulation means. Natural and man-made chemical coagulants can be used with the liner DAF for enhancing the flotation characteristics of the DAF, with or without electro-coagulation and ozone. Geotextiles can be used for solids dewatering of algal solids from the soil and membrane DAF.

Solar drying and composting can be performed with algal solids from the soil membrane DAF and periphyton culture systems. Manipulation and use of DAF volume and concurrent residence time can allow for ozone and oxygen and oxidation-reduction reactions to complete prior to periphyton filtration.

A sump and manual vacuum system can be used for periodic sinkable particle removal.

Another aspect of the invention is directed to a means for harvesting aquatic plants and planktonic or other algae via a coagulation and acidification process that creates an algal nutrient in recycle water as it stabilizes CO₂ in for uptake by aquatic plant culture systems, which can be used in bio-fuels generation and other uses.

In a preferred embodiment, algae harvested from process culture water is coagulated, or caused to collect in a floc, with the use of limewater. Calcium oxide, calcium hydroxide, and calcium carbonate (raw and processed forms of limestone) combined singly or together in water, cause a pH rise and disrupt repelling surface charges of small particles, causing them to collect and form a flake. These flakes are agglomerated with polymers into large flakes, which are easily floated to the surface and raked or blown off and collected.

pH correction can typically be required and can be effected by various means such as liquid acids, such as via carbon dioxide. If CO₂ is used to adjust pH, a synergy occurs as the CO₂ converts residual calcium oxide to bicarbonate, the form of carbon preferred by plants. When water is returned to the culture system, it is already

amended with carbon. Additionally, this carbon is stable and will not off gas like dissolved CO₂.

This culture water can be amended with other sources of nutrients from animal husbandry operations and wastewater plants, and this balanced nutrient media cultures more algae, which can be further bio-refined to produce energy.

Carbon dioxide is an atmospheric gas having a concentration of about 0.033% or 330 ppm. At room temperature, the solubility of carbon dioxide is about 90 cm³ of CO₂ per 100 mL of water. In aqueous solution, carbon dioxide exists in aqueous form and come to equilibrium with H₂CO₃, carbonic acid. Carbonic acid is a weak acid, which dissociates to H⁺ + HCO₃⁻ (bicarbonate).

At this stage algal culture can take up the bicarbonate as a source if carbon, which is biofixed. Steps can be taken to sequester the carbon, or the algae can be digested, fermented, or gasified to produce energy.

The carbonate ions cause precipitation of Ca²⁺. For CaCO₃, the reaction constant is K_{sp} is 5 × 10⁻⁹. Calcium carbonate then takes on H from the water to create carbonic acid. Carbonate precipitates out of the liquid and can be removed and used for many purposes. At this point the carbon is sequestered in stable form.

A second embodiment is focused solely on adding bicarbonate as a nutrient for algal culture. First, CO₂ is added to the source water and acidifies it driving the pH down. Then calcium oxide, calcium hydroxide, and or calcium carbonate is added to balance pH near neutral. As carbon dioxide dissolves in water, an equilibrium is established involving the carbonate ion. Acidic water dissolves calcium oxide, calcium hydroxide, and or calcium carbonate to yield Ca²⁺(aq) + 2 HCO₃⁻(aq)

In the foregoing description, certain terms have been used for brevity, clarity, and understanding, but no unnecessary limitations are to be implied therefrom beyond the requirements of the prior art, because such words are used for description purposes herein and are intended to be broadly construed. Moreover, the embodiments of the systems and methods illustrated and described herein are by way of example, and the scope of the invention is not limited to the exact details of construction and use. Further, it will be understood by one of skill in the art that the elements of the embodiments discussed and illustrated herein can be interchanged among the

embodiments, and that each embodiment is not intended as to be limited to the individual elements presented.

Having now described the invention, the construction, the operation and use of preferred embodiments thereof, and the advantageous new and useful results obtained
5 thereby, the new and useful constructions, and reasonable equivalents thereof obvious to those skilled in the art, are set forth in the appended claims.

WHAT IS CLAIMED IS :

1. A system for remediating a body of water and collecting suspended and dissolved solids therefrom, the system comprising:

a water-impervious, flexible sheeting positionable to line a depression in or adjacent a body of water desired to be treated, the sheeting conformable with a surface of the depression, the sheeting and depression defining at least a portion of a treatment vessel, the vessel comprising a treatment portion having an inlet for receiving water to be treated, an outlet portion for containing treated water, and an outflow weir between the treatment portion and the outlet portion, the outflow weir extending to a top end higher than a water surface, and extending across the vessel to side edges sealed against the opposed sides of the vessel;

10

means for transporting water to be treated from the water body to the treatment portion inlet;

means for delivering a stream of bubbles into the transported water upstream of an outlet end of the transporting means;

means for mixing the bubbles with the transported water, the bubbles for capturing suspended and dissolved solids in the transported water, effecting a separation between the captured solids and water cleansed therefrom, and carrying the captured solids to the water surface; and

20

means for removing the captured solids from the treatment portion, the cleansed water movable through a channel in the outflow weir into the outlet portion.

2. The system recited in claim 1, wherein the mixing means comprises a cracking valve and a saturation tube upstream of the cracking valve and downstream of the bubble delivering means.

3. The system recited in claim 1, further comprising a source of at least one of a coagulant and a flocculant, and means for injecting the at least one of the coagulant and the flocculant into the transported water.

4. The system recited in claim 3, wherein the mixing means comprises a serpentine flow pathway upstream of the treatment portion.

5. The system recited in claim 1, wherein the sheeting is positionable in a depression in soil adjacent the water body, the depression sloping downward in the treatment basin toward the inlet.

6. The system recited in claim 1, wherein the sheeting comprises a geo-textile material.

7. The system recited in claim 5, wherein the depression further has a pit therein adjacent the inlet, for collecting precipitated solids therein.

8. The system recited in claim 1, further comprising an effluent pump having an inlet within the outflow portion and a float switch for activating the effluent pump when effluent in the outflow portion has reached a predetermined depth.

9. A method for remediating a body of water and collecting suspended and dissolved solids therefrom, the method comprising:

transporting water from a body of water to an inlet of a treatment vessel, the treatment vessel formed by a water-impervious, flexible sheeting positioned in and conforming with a depression in or adjacent a body of water desired to be treated;

delivering a stream of bubbles into the transported water upstream of a treatment portion of the treatment vessel;

mixing the bubbles with the transported water, the bubbles for capturing suspended and dissolved solids in the transported water, effecting a separation

between the captured solids and water cleansed therefrom, and carrying the captured solids to a surface of the water;

channeling the mixed water and bubbles to the treatment portion;

removing the captured solids from the treatment portion; and

permitting the cleansed water to move into an outlet portion of the treatment vessel.

10. The method recited in claim 9, wherein the mixing step comprises channeling the water and bubbles to saturation tube and thence to a cracking valve.

11. The method recited in claim 9, further comprising injecting at least one
10 of a coagulant and a flocculant into the transported water.

12. The method recited in claim 11, wherein the mixing step comprises channeling the water into a serpentine flow pathway upstream of the treatment portion.

13. The method recited in claim 9, wherein the flexible sheeting is positionable in a depression in soil adjacent the water body, the depression sloping downward in the treatment basin toward the inlet.

14. A method for constructing a water-remediation and solids-collection system comprising:

20 positioning a water-impervious, flexible sheeting in a depression in or adjacent a body of water desired to be remediated and from which solids are desired to be collected, the sheeting conformable with a surface of the depression; and

positioning an outflow weir adjacent an outlet end of the vessel to extend to a top end at least as high as an intended level of water in the treatment vessel, and across the vessel to side edges sealed against the opposed sides of the vessel, the

outflow weir and an outlet portion of the vessel sides containing the outlet end defining an outflow portion;

providing means for transporting water to be treated from the water body to a region of the treatment basin;

providing means for delivering and mixing a stream of bubbles into the water being transported upstream of an outlet end of the transporting means, the bubbles for capturing suspended and dissolved solids in the transported water, effecting a separation between the captured solids and water cleansed therefrom, and carrying the captured solids to a water surface;

10 providing means for removing the bubbles and captured suspended solids from the treatment basin; and

providing means for channeling the cleansed water out from the outflow basin.

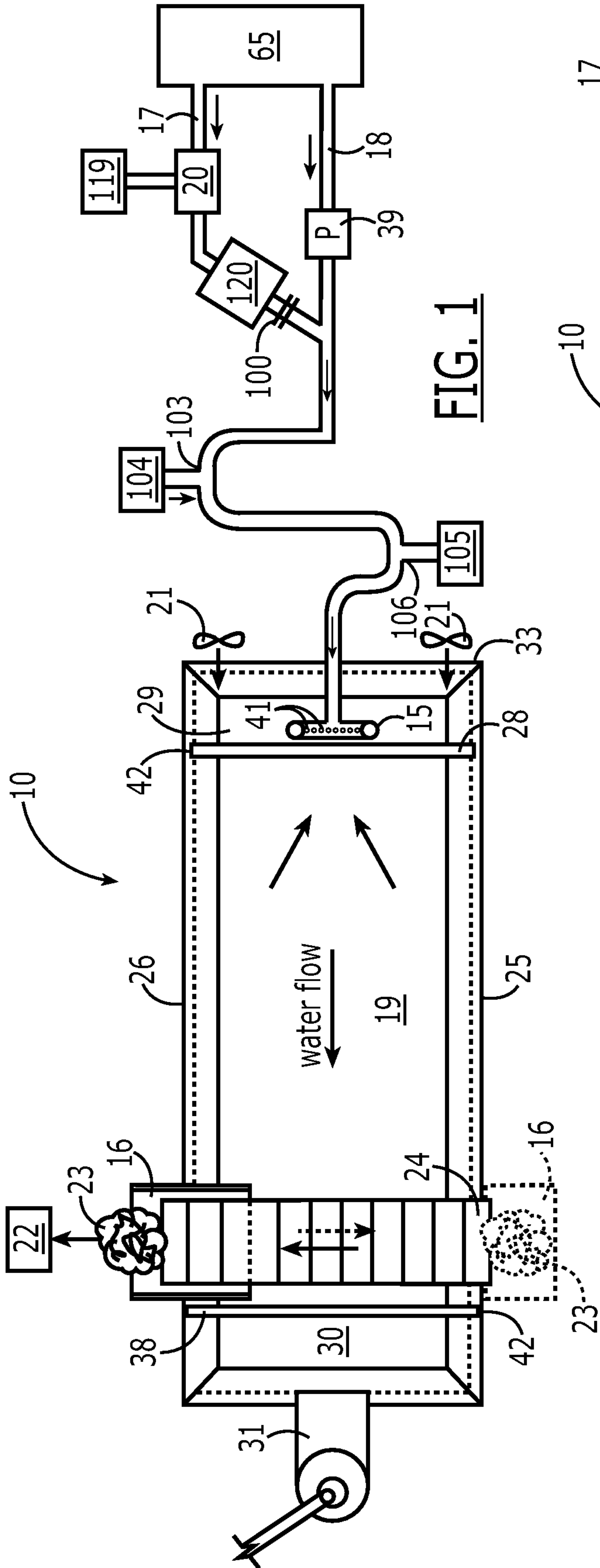


FIG. 1

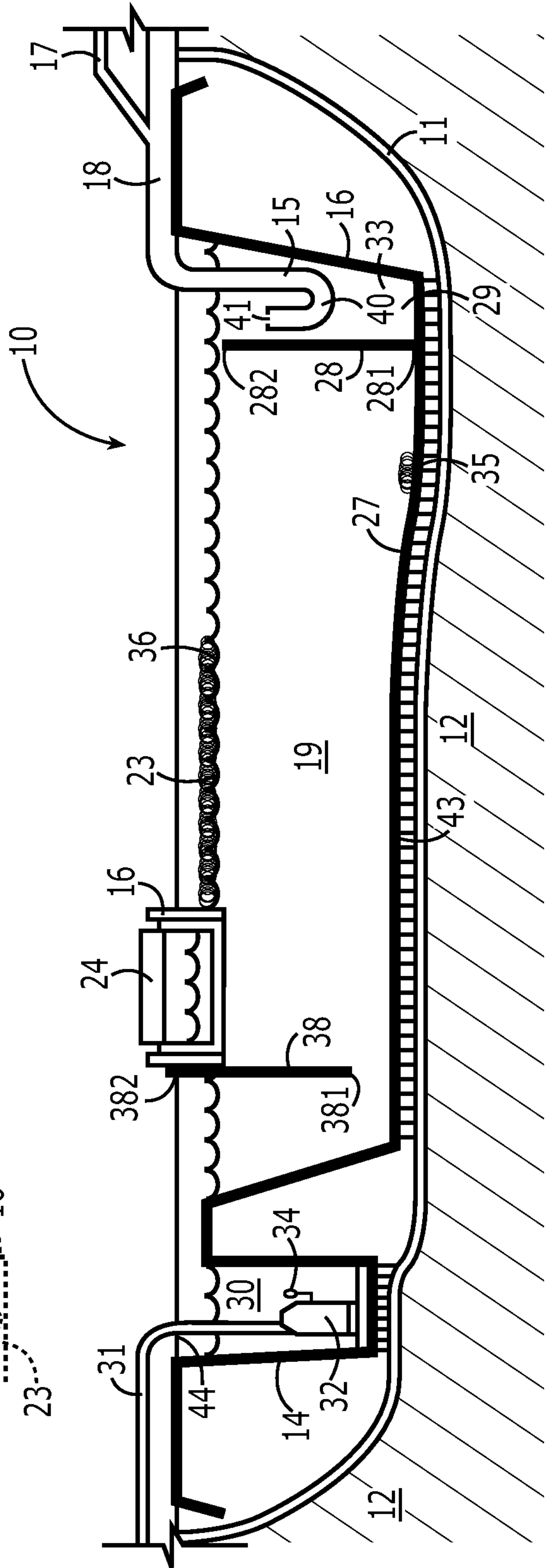


FIG. 2

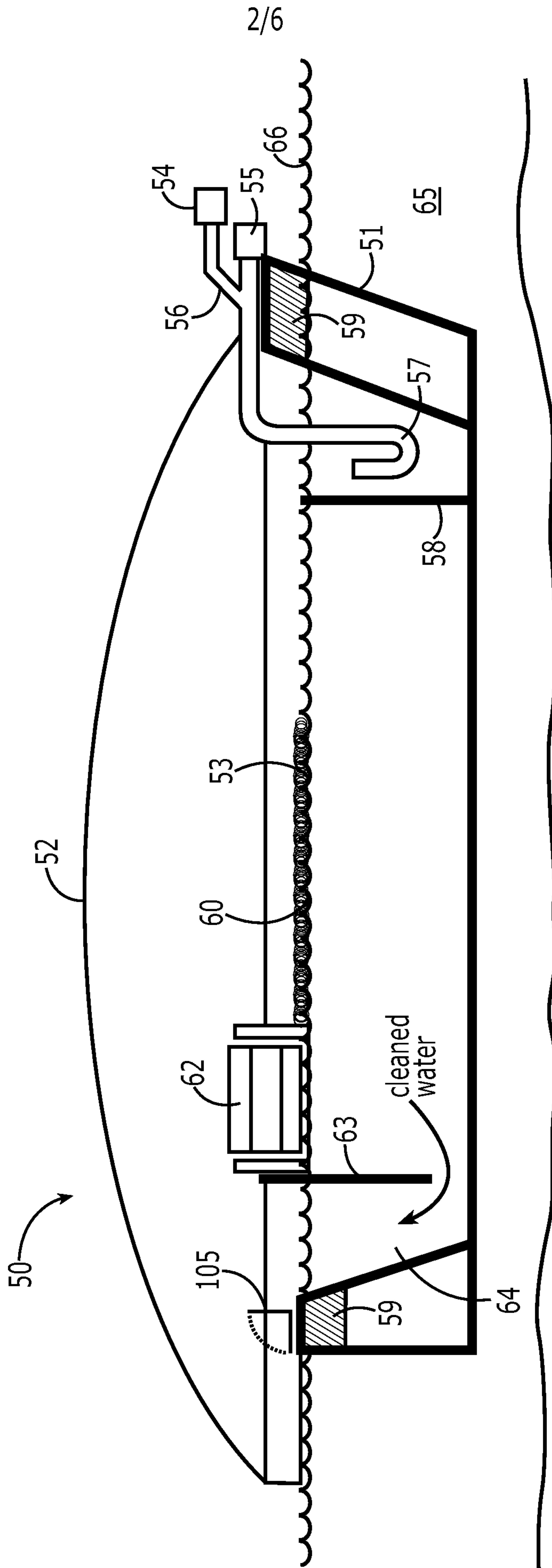
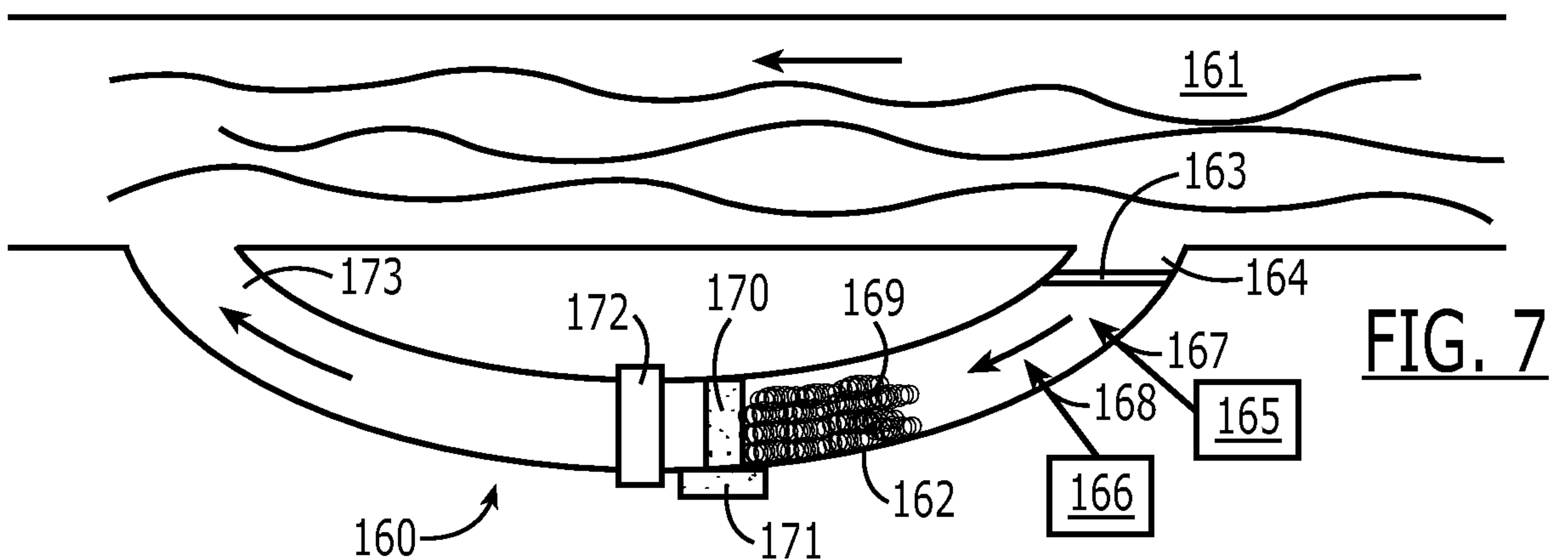
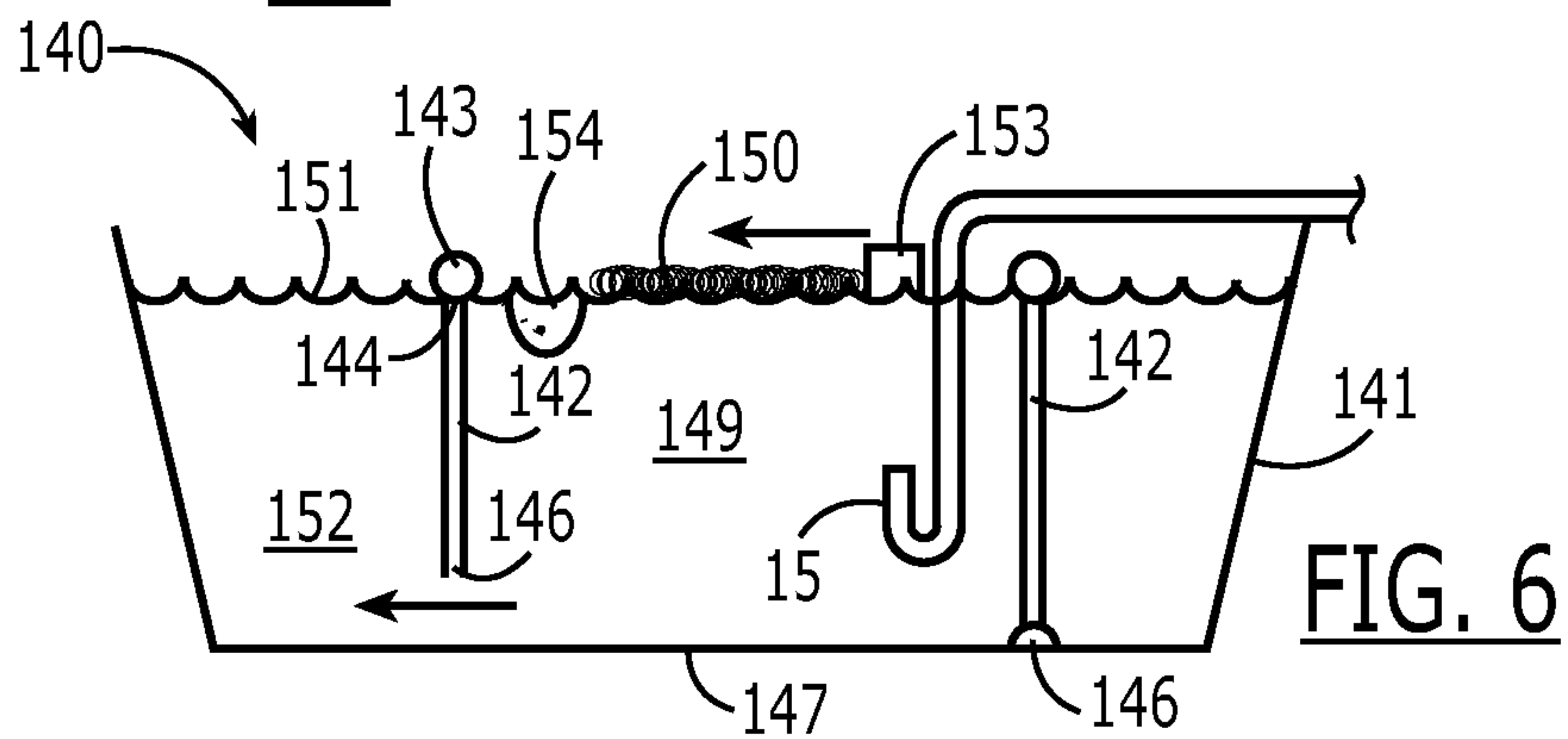
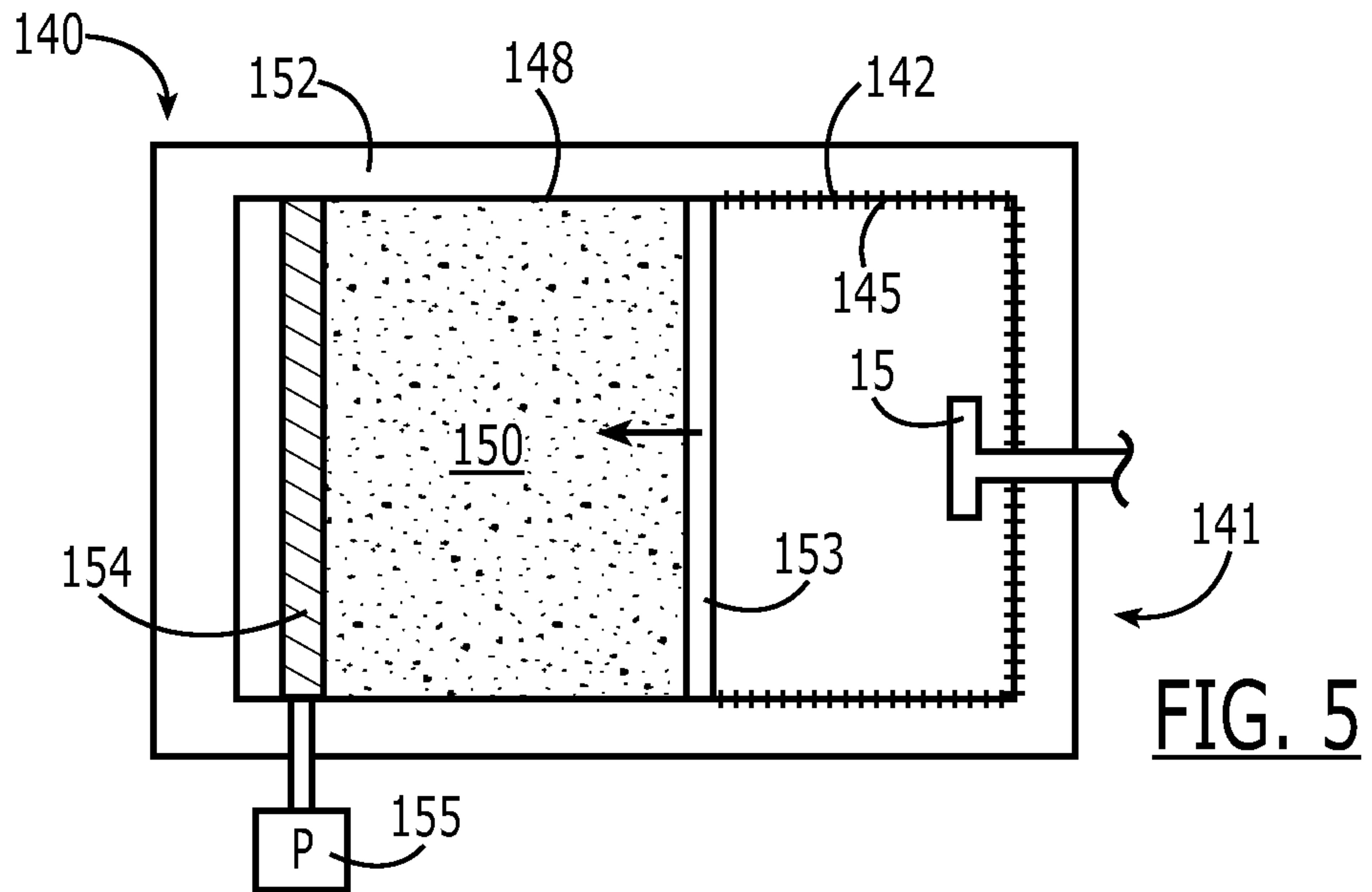
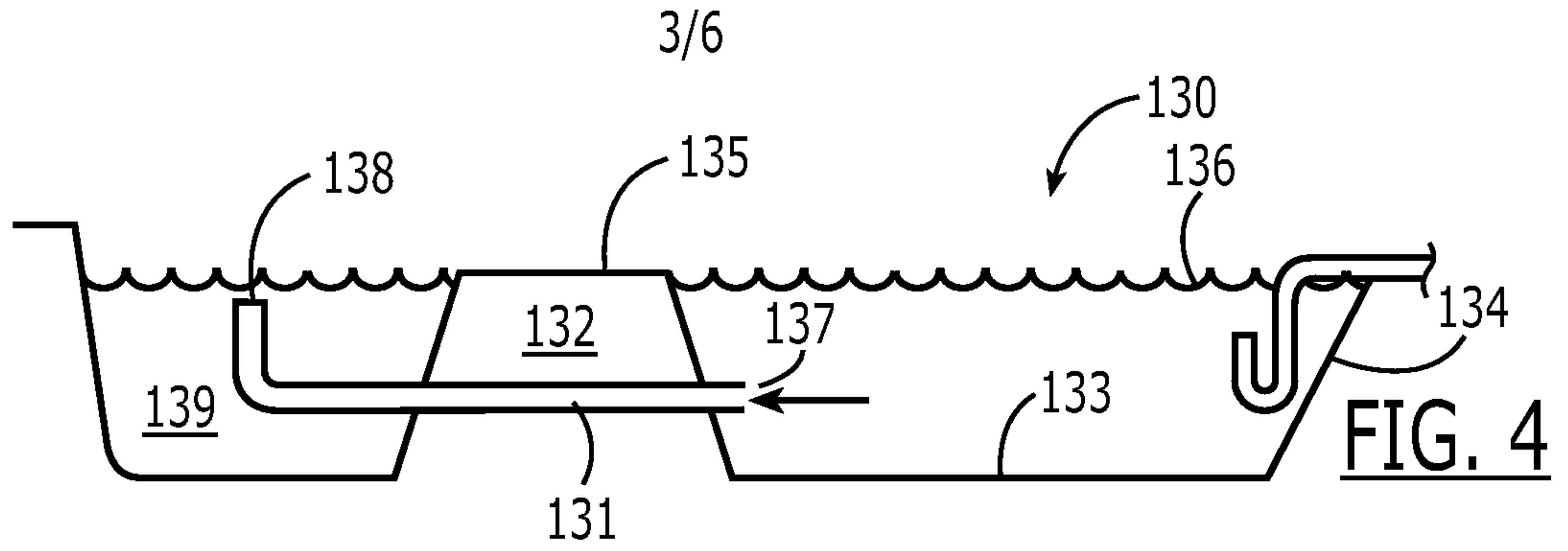


FIG. 3



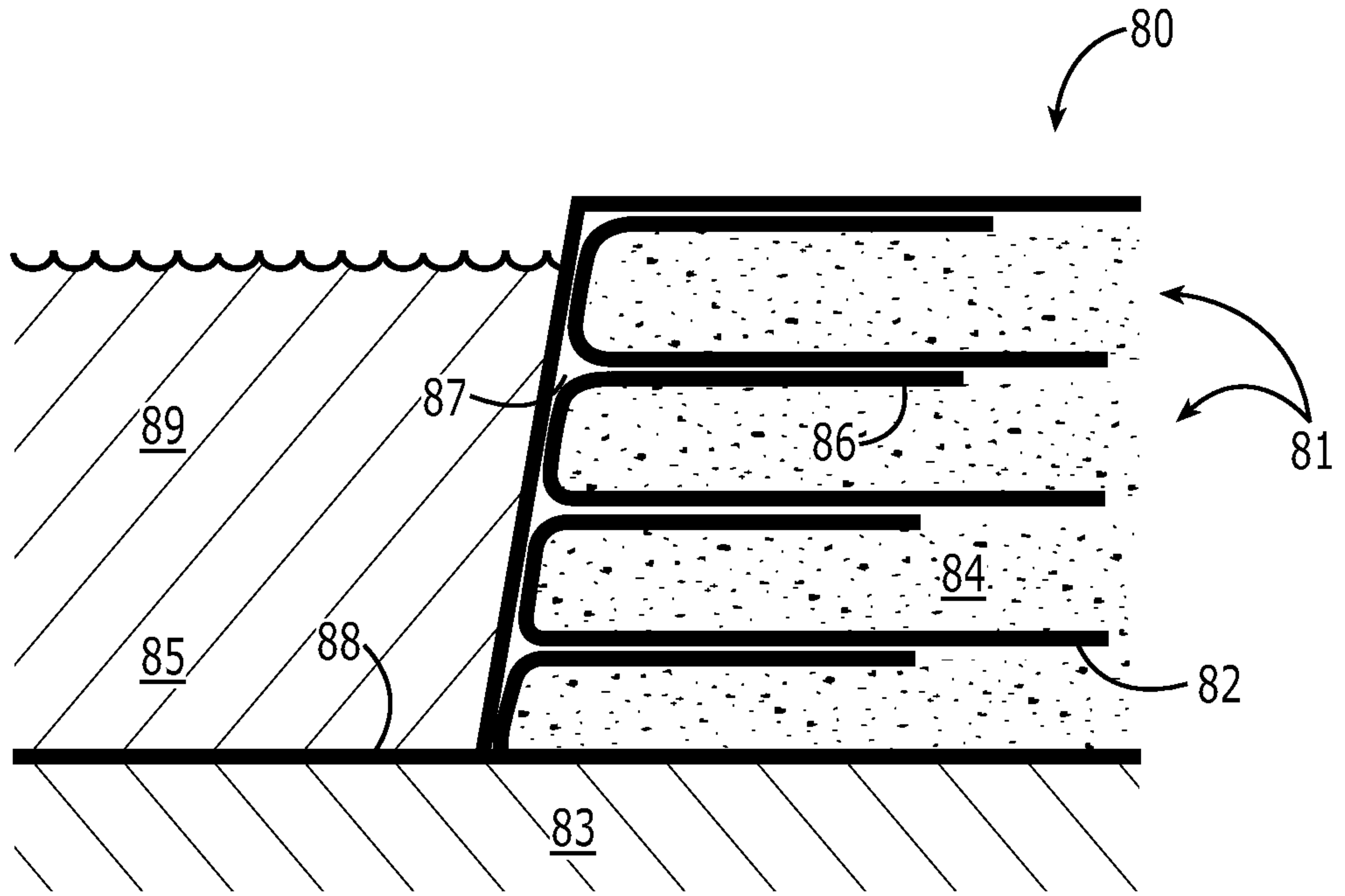


FIG. 8

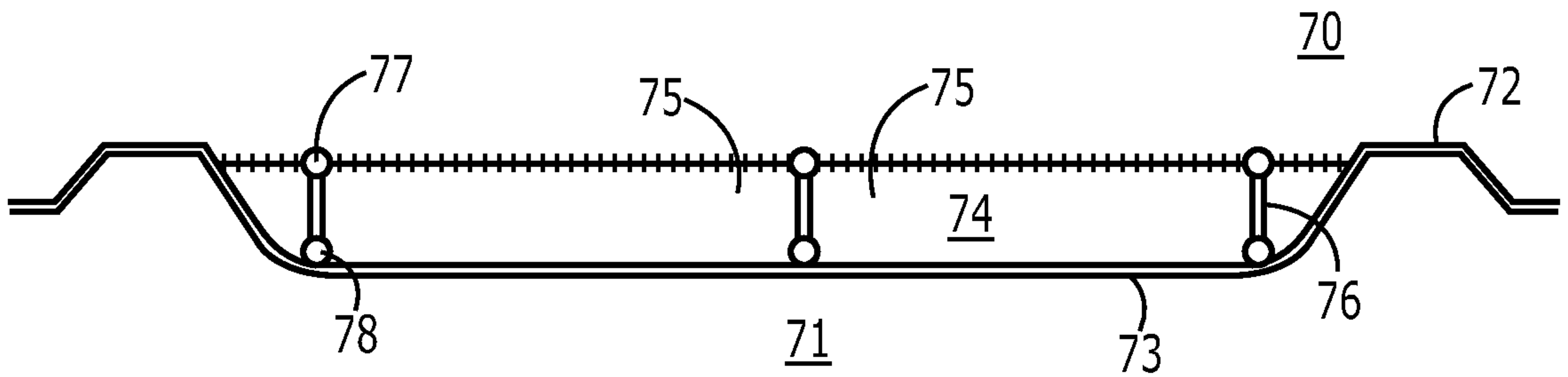


FIG. 9

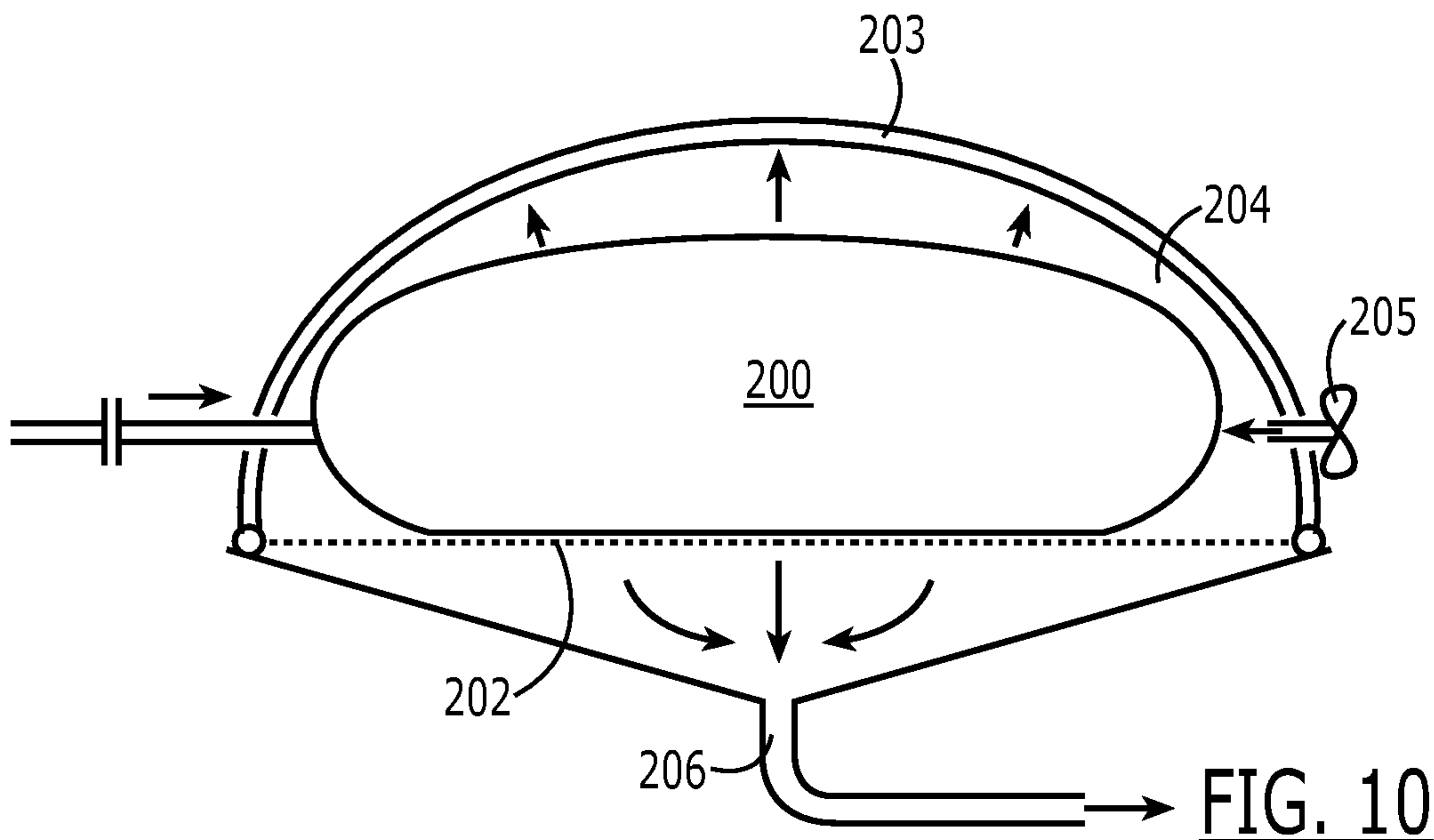


FIG. 10

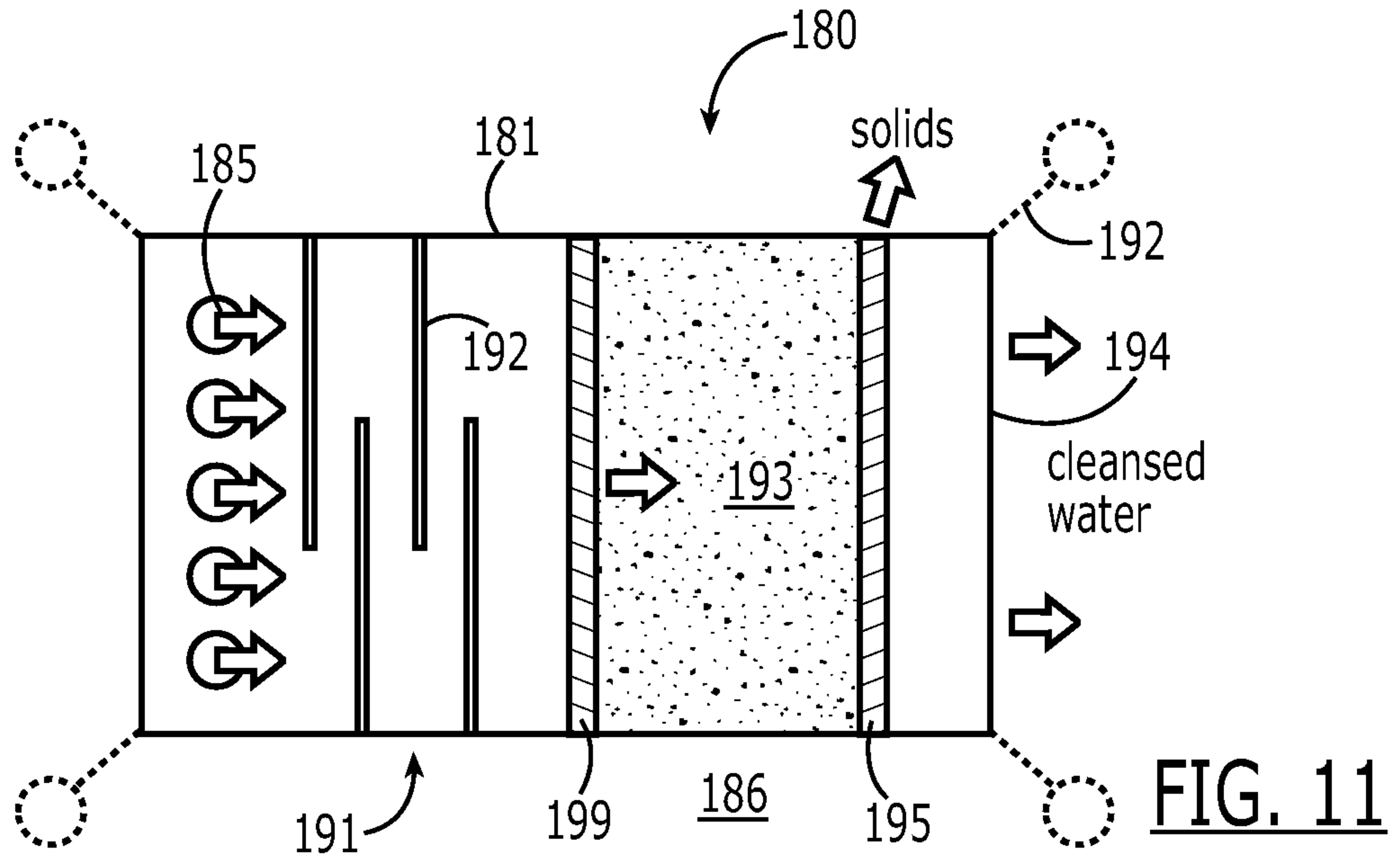


FIG. 11

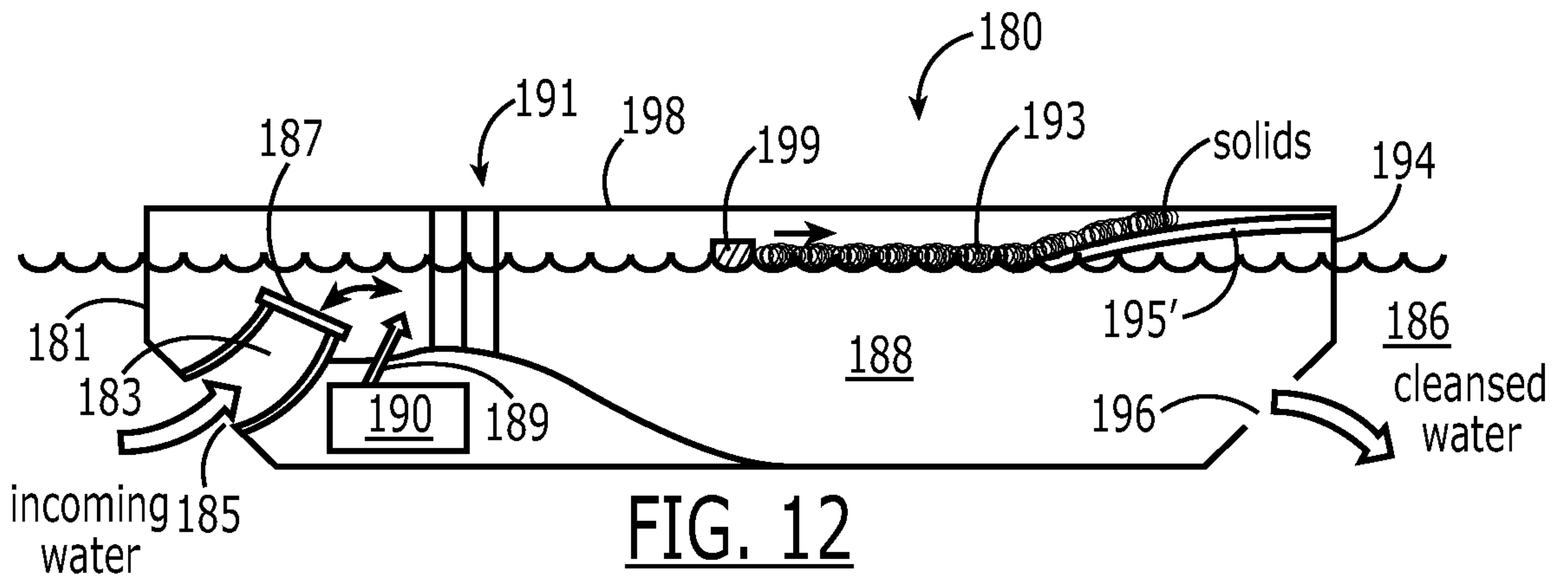


FIG. 12

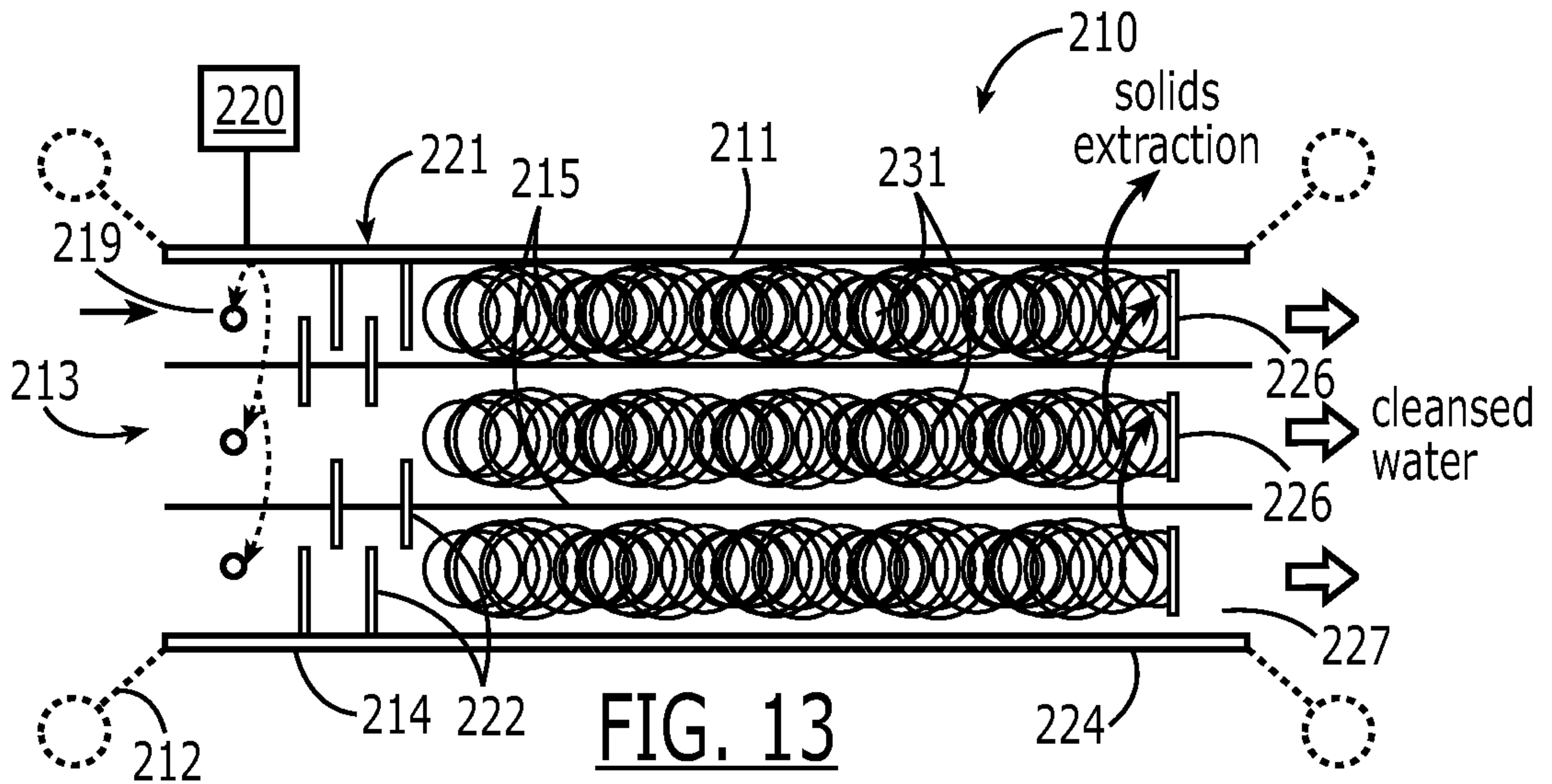


FIG. 13

