



US00D995351S

(12) **United States Design Patent**
Zhou

(10) **Patent No.:** **US D995,351 S**

(45) **Date of Patent:** **** Aug. 15, 2023**

- (54) **VASE**
- (71) Applicant: **Yong Zhou**, Changde (CN)
- (72) Inventor: **Yong Zhou**, Changde (CN)
- (**) Term: **15 Years**

D462,295 S *	9/2002	Bates	D11/146
D533,108 S *	12/2006	Nass	D11/155
D761,153 S *	7/2016	Agar	D11/143
D901,325 S	11/2020	Liu		
D932,344 S *	10/2021	Jackson	D11/143
2005/0204621 A1 *	9/2005	Garrison	A01G 9/02 47/66.1

- (21) Appl. No.: **29/893,661**
- (22) Filed: **Jun. 1, 2023**
- (51) **LOC (14) Cl.** **11-02**
- (52) **U.S. Cl.**
USPC **D11/155**
- (58) **Field of Classification Search**
USPC D11/143-158, 164; D6/403-405, 677.5,
D6/455
CPC A47G 7/025; A47G 7/041; A01G 9/02;
A01G 9/12; A47B 13/06; A47F 5/13;
A47F 7/00; A65F 1/141
See application file for complete search history.

* cited by examiner

Primary Examiner — Melanie Pellegrini

(57) **CLAIM**

The ornamental design for a vase, as shown and described.

DESCRIPTION

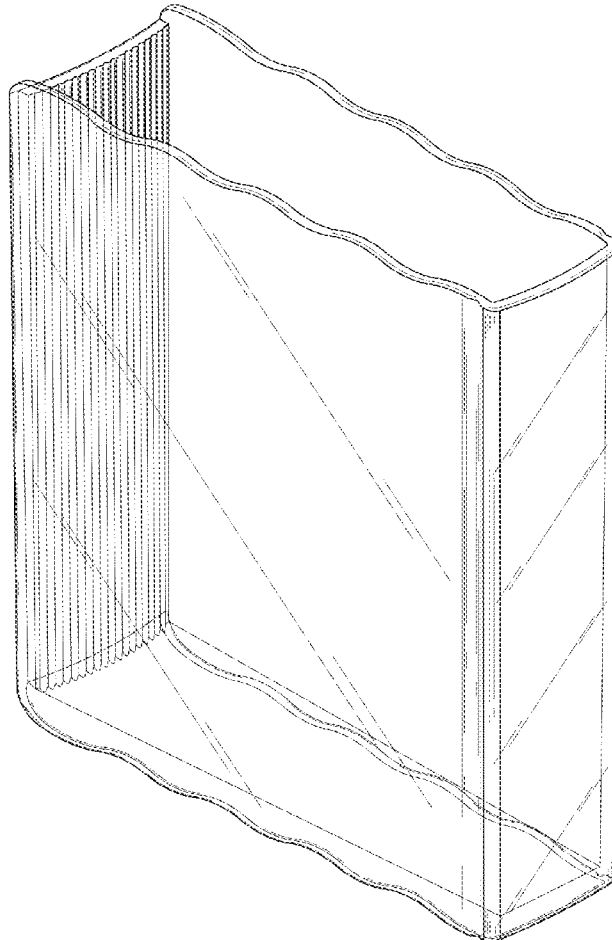
FIG. 1 is a front perspective view of a vase, showing my new design;
 FIG. 2 is a rear perspective view thereof;
 FIG. 3 is a rear view thereof;
 FIG. 4 is a front view thereof;
 FIG. 5 is a left side view thereof;
 FIG. 6 is a right side view thereof;
 FIG. 7 is a top view thereof; and,
 FIG. 8 is a bottom view thereof.

(56) **References Cited**

U.S. PATENT DOCUMENTS

D358,356 S *	5/1995	Rahr	D11/143
D369,318 S *	4/1996	Weder	D11/164

1 Claim, 8 Drawing Sheets



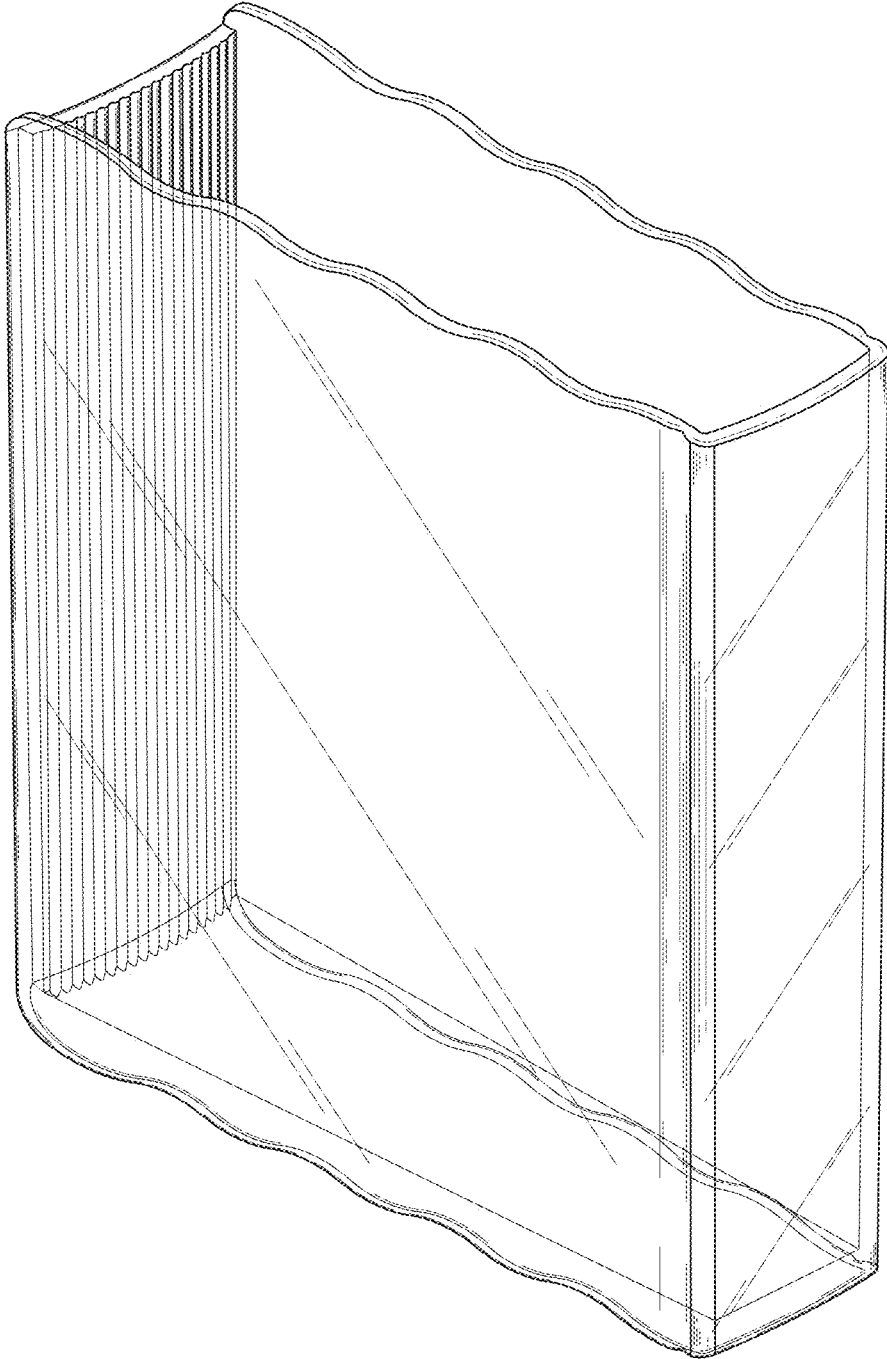


FIG. 1

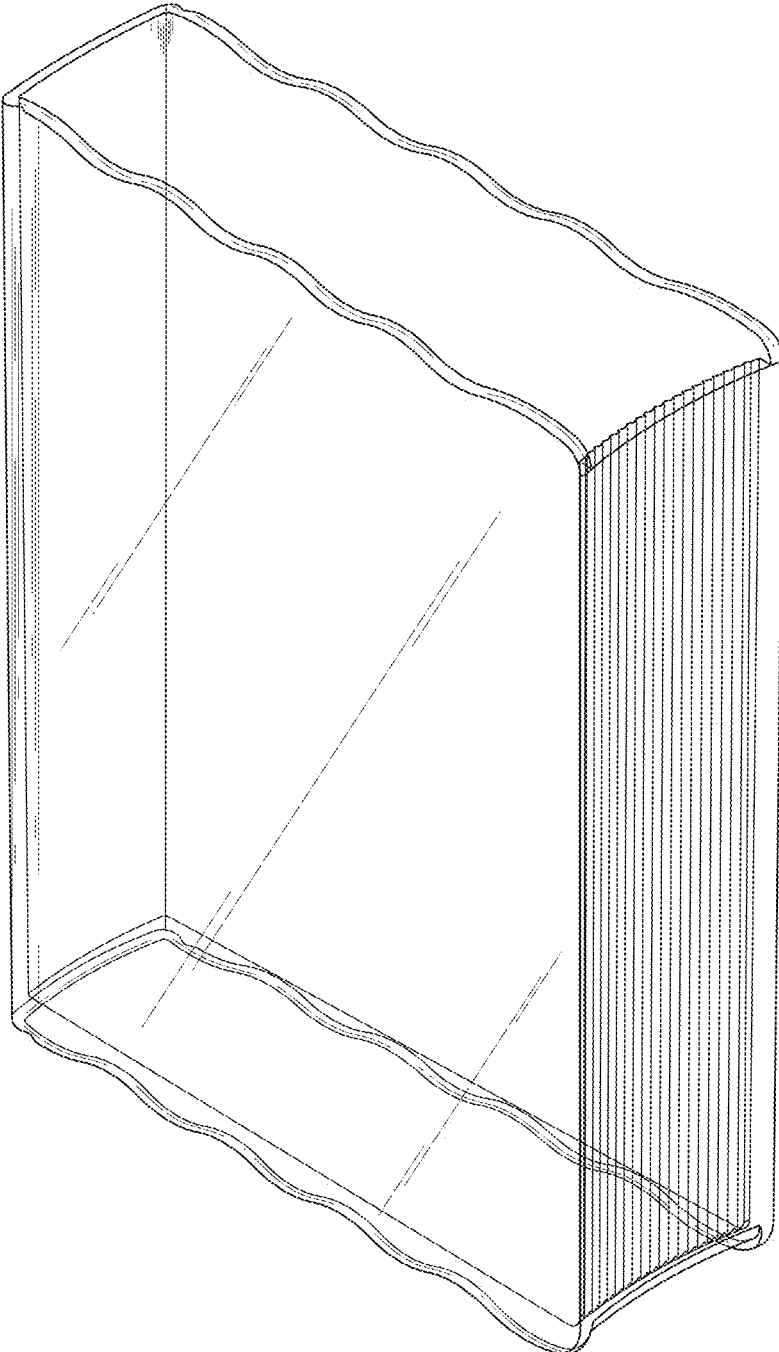


FIG. 2

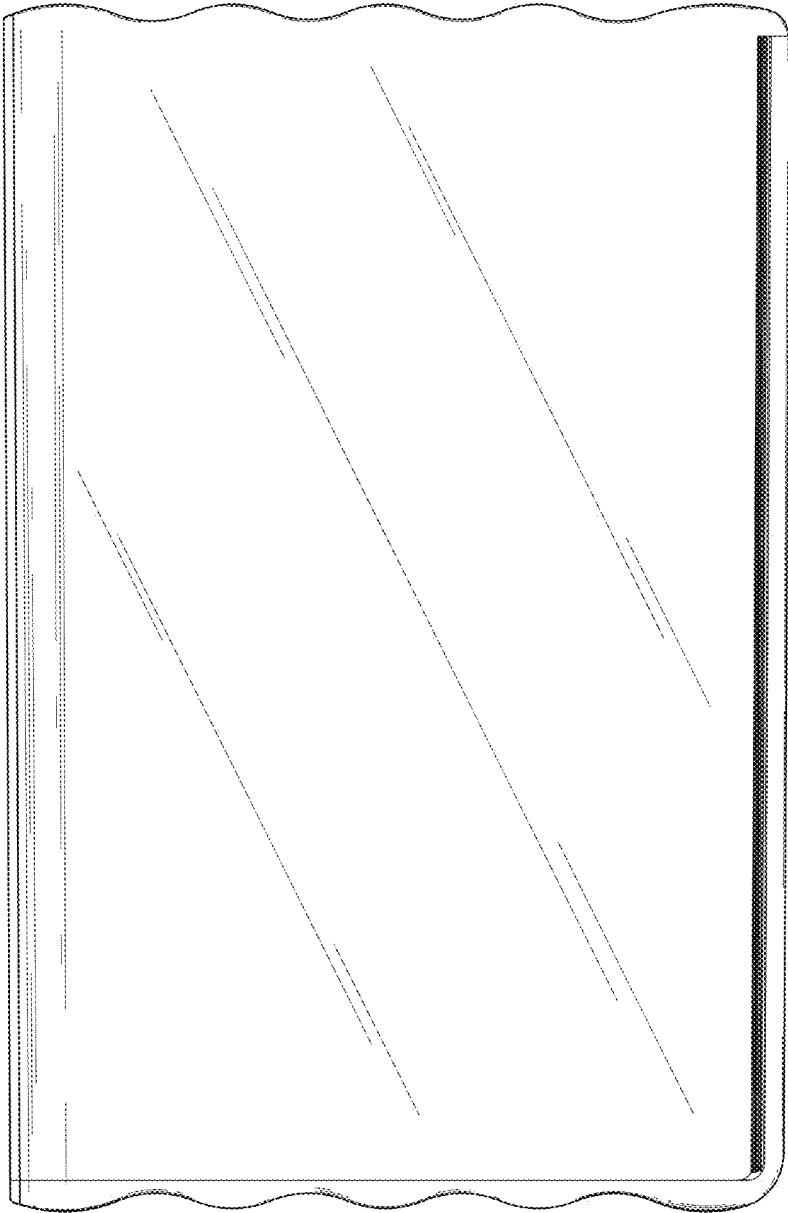


FIG. 3

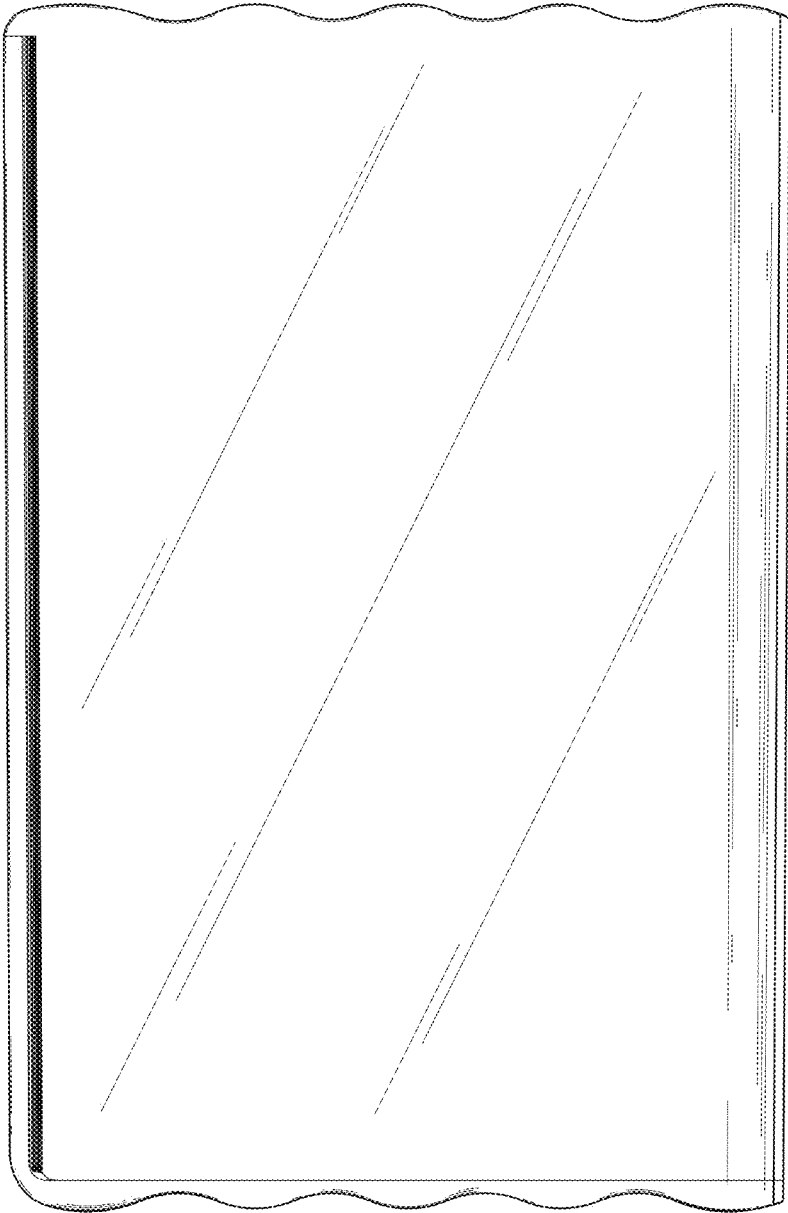


FIG. 4

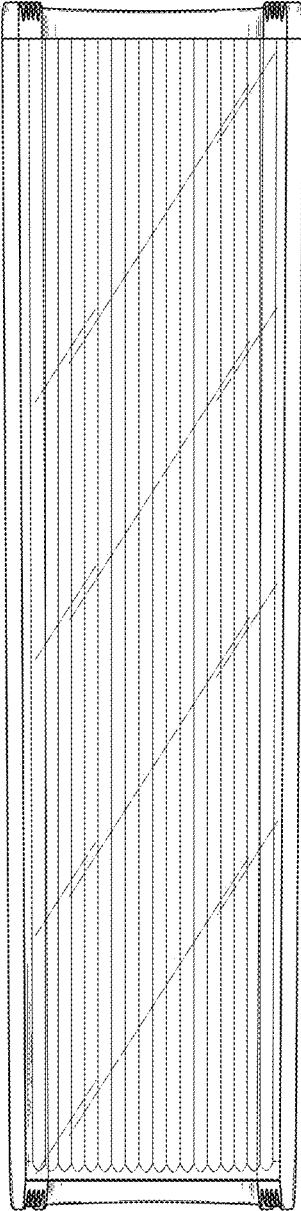


FIG. 5

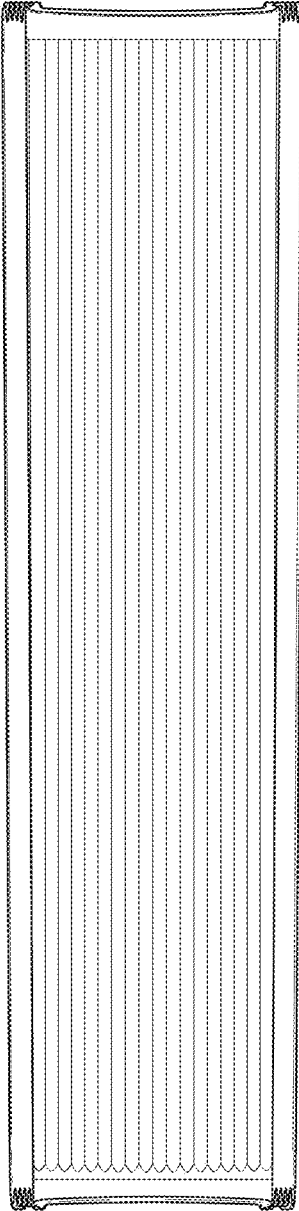


FIG. 6

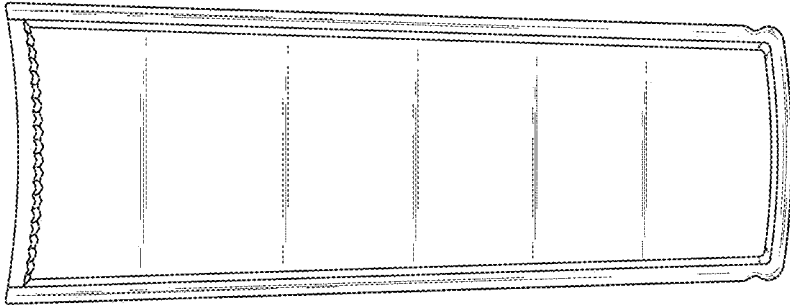


FIG. 7

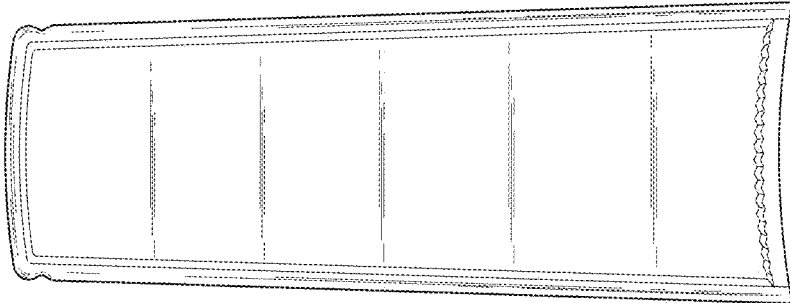


FIG. 8