

(19) World Intellectual Property Organization  
International Bureau



(43) International Publication Date  
13 October 2005 (13.10.2005)

PCT

(10) International Publication Number  
**WO 2005/094499 A3**

(51) International Patent Classification:

*H01H 37/04* (2006.01)    *H01H 71/14* (2006.01)  
*H01H 37/52* (2006.01)    *H01H 71/16* (2006.01)  
*H01H 61/00* (2006.01)    *H01H 79/00* (2006.01)

Z. [US/US]; 250 North Village Avenue Apt.C23, Rockville Centre, NY 11570 (US).

(74) Agent: **POMERANCE, Brenda**; Law Office of Brenda Pomerance, 260 West 52 Street Ste 27B, New York, NY\_10019 (US).

(21) International Application Number:

PCT/US2005/009717

(81) Designated States (unless otherwise indicated, for every kind of national protection available): AE, AG, AL, AM, AT, AU, AZ, BA, BB, BG, BR, BW, BY, BZ, CA, CH, CN, CO, CR, CU, CZ, DE, DK, DM, DZ, EC, EE, EG, ES, FI, GB, GD, GE, GH, GM, HR, HU, ID, IL, IN, IS, JP, KE, KG, KP, KR, KZ, LC, LK, LR, LS, LT, LU, LV, MA, MD, MG, MK, MN, MW, MX, MZ, NA, NI, NO, NZ, OM, PG, PH, PL, PT, RO, RU, SC, SD, SE, SG, SK, SL, SM, SY, TJ, TM, TN, TR, TT, TZ, UA, UG, US, UZ, VC, VN, YU, ZA, ZM, ZW.

(22) International Filing Date: 24 March 2005 (24.03.2005)

(25) Filing Language: English

(26) Publication Language: English

(30) Priority Data:  
60/556,195                    25 March 2004 (25.03.2004)    US

(71) Applicant (for all designated States except US): **BSAFE ELECTRIX, INC.** [US/US]; 287 Estates Terrace South, Manhasset, NY 11030 (US).

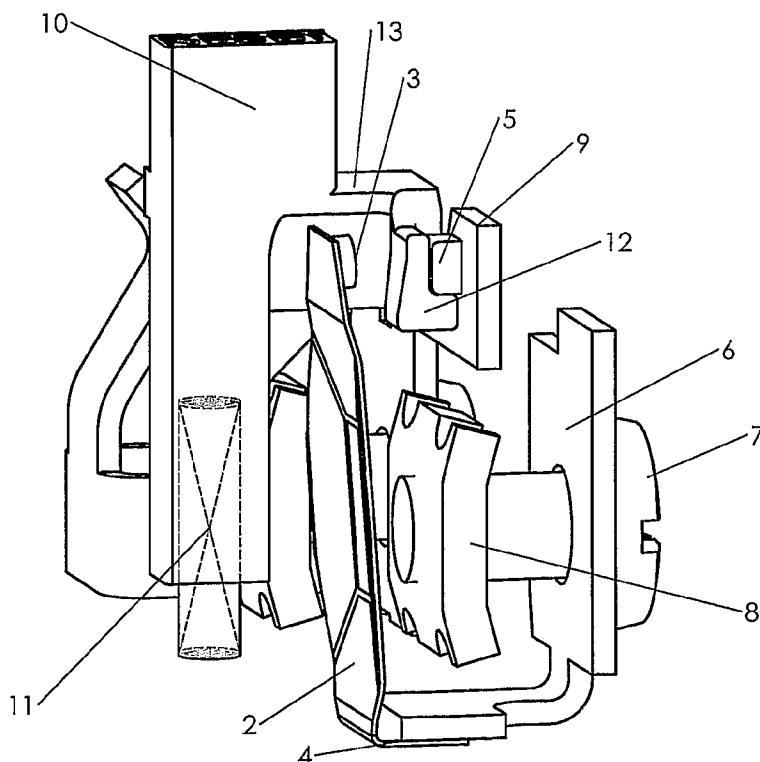
(84) Designated States (unless otherwise indicated, for every kind of regional protection available): ARIPO (BW, GH, GM, KE, LS, MW, MZ, NA, SD, SL, SZ, TZ, UG, ZM, ZW), Eurasian (AM, AZ, BY, KG, KZ, MD, RU, TJ, TM), European (AT, BE, BG, CH, CY, CZ, DE, DK, EE, ES, FI, FR, GB, GR, HU, IE, IS, IT, LT, LU, MC, NL, PL, PT, RO, SE, SI, SK, TR), OAPI (BF, BJ, CF, CG, CI, CM, GA, GN, GQ, GW, ML, MR, NE, SN, TD, TG).

(72) Inventors; and

(75) Inventors/Applicants (for US only): **WATCHORN, Douglas** [GB/US]; 209 Country Road 512, Frenchtown, NJ 08825 (US). **LITTLEWOOD, Barry** [GB/US]; 11 Howell Lane, Harmony, NJ 08865 (US). **KOPELMAN, Robert**,

[Continued on next page]

(54) Title: HEAT SENSING ELECTRICAL RECEPTACLE



(57) Abstract: An electrical receptacle has an outlet and senses the operating temperature and automatically turns off when the temperature rises above a predetermined threshold. The receptacle has a reset button that must be manually operated to enable operation of the outlet to resume.

WO 2005/094499 A3



**Declaration under Rule 4.17:**

- *as to applicant's entitlement to apply for and be granted a patent (Rule 4.17(ii))*

*For two-letter codes and other abbreviations, refer to the "Guidance Notes on Codes and Abbreviations" appearing at the beginning of each regular issue of the PCT Gazette.*

**Published:**

- *with international search report*
- *before the expiration of the time limit for amending the claims and to be republished in the event of receipt of amendments*

**(88) Date of publication of the international search report:**

12 July 2007

**INTERNATIONAL SEARCH REPORT**

International application No.

PCT/US05/09717

<p><b>A. CLASSIFICATION OF SUBJECT MATTER</b></p> <p>IPC: <b>H01H 37/04( 2006.01),37/52( 2006.01),61/00( 2006.01),71/14( 2006.01),71/16( 2006.01),79/00( 2006.01)</b></p> <p>USPC: 337/16,36,37,38,39,380</p> <p>According to International Patent Classification (IPC) or to both national classification and IPC</p>																	
<p><b>B. FIELDS SEARCHED</b></p> <p>Minimum documentation searched (classification system followed by classification symbols) U.S. : 337/16,36,37,38,39,380</p> <p>Documentation searched other than minimum documentation to the extent that such documents are included in the fields searched</p> <p>Electronic data base consulted during the international search (name of data base and, where practicable, search terms used) EAST - receptacle, outlet, switch, terminal, contact, reset, trip, button, indicator, bimetallic, bimetal, power</p>																	
<p><b>C. DOCUMENTS CONSIDERED TO BE RELEVANT</b></p> <table border="1"> <thead> <tr> <th>Category *</th> <th>Citation of document, with indication, where appropriate, of the relevant passages</th> <th>Relevant to claim No.</th> </tr> </thead> <tbody> <tr> <td>X</td> <td>US 4,951,025 (Finnegan et al) 21 August 1990 (21.08.1990), col. 3, ln 38 - col. 4, ln 59 and figures 3, 5 and 8</td> <td>1-10</td> </tr> <tr> <td>A</td> <td>US 3,169,239 (Lacey) 09 February 1965 (09.02.1965), (full document)</td> <td>1-10</td> </tr> <tr> <td>A</td> <td>US 5,933,063 (Keung et al.) 03 August 1999 (03.08.1999), (full document)</td> <td>1-10</td> </tr> <tr> <td>A</td> <td>US 3,781,857 (Stendig et al.) 25 December 1973 (25.12.1973), (full document)</td> <td>1-10</td> </tr> </tbody> </table>			Category *	Citation of document, with indication, where appropriate, of the relevant passages	Relevant to claim No.	X	US 4,951,025 (Finnegan et al) 21 August 1990 (21.08.1990), col. 3, ln 38 - col. 4, ln 59 and figures 3, 5 and 8	1-10	A	US 3,169,239 (Lacey) 09 February 1965 (09.02.1965), (full document)	1-10	A	US 5,933,063 (Keung et al.) 03 August 1999 (03.08.1999), (full document)	1-10	A	US 3,781,857 (Stendig et al.) 25 December 1973 (25.12.1973), (full document)	1-10
Category *	Citation of document, with indication, where appropriate, of the relevant passages	Relevant to claim No.															
X	US 4,951,025 (Finnegan et al) 21 August 1990 (21.08.1990), col. 3, ln 38 - col. 4, ln 59 and figures 3, 5 and 8	1-10															
A	US 3,169,239 (Lacey) 09 February 1965 (09.02.1965), (full document)	1-10															
A	US 5,933,063 (Keung et al.) 03 August 1999 (03.08.1999), (full document)	1-10															
A	US 3,781,857 (Stendig et al.) 25 December 1973 (25.12.1973), (full document)	1-10															
<p><input type="checkbox"/> Further documents are listed in the continuation of Box C. <input type="checkbox"/> See patent family annex.</p>																	
<p>* Special categories of cited documents:</p> <table border="0"> <tr> <td>"A" document defining the general state of the art which is not considered to be of particular relevance</td> <td>"T" later document published after the international filing date or priority date and not in conflict with the application but cited to understand the principle or theory underlying the invention</td> </tr> <tr> <td>"E" earlier application or patent published on or after the international filing date</td> <td>"X" document of particular relevance; the claimed invention cannot be considered novel or cannot be considered to involve an inventive step when the document is taken alone</td> </tr> <tr> <td>"L" document which may throw doubts on priority claim(s) or which is cited to establish the publication date of another citation or other special reason (as specified)</td> <td>"Y" document of particular relevance; the claimed invention cannot be considered to involve an inventive step when the document is combined with one or more other such documents, such combination being obvious to a person skilled in the art</td> </tr> <tr> <td>"O" document referring to an oral disclosure, use, exhibition or other means</td> <td>"&amp;" document member of the same patent family</td> </tr> <tr> <td>"P" document published prior to the international filing date but later than the priority date claimed</td> <td></td> </tr> </table>			"A" document defining the general state of the art which is not considered to be of particular relevance	"T" later document published after the international filing date or priority date and not in conflict with the application but cited to understand the principle or theory underlying the invention	"E" earlier application or patent published on or after the international filing date	"X" document of particular relevance; the claimed invention cannot be considered novel or cannot be considered to involve an inventive step when the document is taken alone	"L" document which may throw doubts on priority claim(s) or which is cited to establish the publication date of another citation or other special reason (as specified)	"Y" document of particular relevance; the claimed invention cannot be considered to involve an inventive step when the document is combined with one or more other such documents, such combination being obvious to a person skilled in the art	"O" document referring to an oral disclosure, use, exhibition or other means	"&" document member of the same patent family	"P" document published prior to the international filing date but later than the priority date claimed						
"A" document defining the general state of the art which is not considered to be of particular relevance	"T" later document published after the international filing date or priority date and not in conflict with the application but cited to understand the principle or theory underlying the invention																
"E" earlier application or patent published on or after the international filing date	"X" document of particular relevance; the claimed invention cannot be considered novel or cannot be considered to involve an inventive step when the document is taken alone																
"L" document which may throw doubts on priority claim(s) or which is cited to establish the publication date of another citation or other special reason (as specified)	"Y" document of particular relevance; the claimed invention cannot be considered to involve an inventive step when the document is combined with one or more other such documents, such combination being obvious to a person skilled in the art																
"O" document referring to an oral disclosure, use, exhibition or other means	"&" document member of the same patent family																
"P" document published prior to the international filing date but later than the priority date claimed																	
<p>Date of the actual completion of the international search 25 April 2007 (25.04.2007)</p>		<p>Date of mailing of the international search report <b>24 MAY 2007</b></p>															
<p>Name and mailing address of the ISA/US Mail Stop PCT, Attn: ISA/US Commissioner for Patents P.O. Box 1450 Alexandria, Virginia 22313-1450 Facsimile No. (571) 273-3201</p>		<p>Authorized officer Jayprakash N Gandhi <i>Jayprakash N Gandhi</i> Telephone No. 571-272-1400</p>															