



US00D630213S

(12) **United States Design Patent**
Fidali et al.

(10) **Patent No.:** **US D630,213 S**

(45) **Date of Patent:** **** Jan. 4, 2011**

(54) **COMPUTER MOUSE**

(75) Inventors: **Wlodzimierz Fidali**, Brooklyn, NY (US); **Robert T. Logan**, New York, NY (US)

(73) Assignee: **Senduzy Corp.**, New York, NY (US)

(**) Term: **14 Years**

(21) Appl. No.: **29/366,662**

(22) Filed: **Jul. 28, 2010**

(51) **LOC (9) Cl.** **14-02**

(52) **U.S. Cl.** **D14/402**

(58) **Field of Classification Search** D14/402-411, D14/356, 388, 389, 383-385, 417, 426; 345/156-157; 463/36-38; 358/471, 473; 273/148 B

See application file for complete search history.

(56) **References Cited**

U.S. PATENT DOCUMENTS

5,131,614 A	7/1992	Garcia et al.	
5,433,407 A	7/1995	Rice	
D375,484 S *	11/1996	Leifer	D14/403
D381,969 S *	8/1997	Ratzlaff	D14/410
D392,959 S *	3/1998	Edwards	D14/402
5,788,195 A	8/1998	Rice	
5,913,497 A	6/1999	Myers	
D425,882 S *	5/2000	Sfingi	D14/402
D438,865 S *	3/2001	Smith	D14/432
D441,749 S *	5/2001	Swan et al.	D14/402

D453,513 S *	2/2002	Sergent	D14/403
6,431,504 B1	8/2002	Ignagni	
D466,121 S *	11/2002	von Ilberg et al.	D14/417
D490,078 S *	5/2004	Mak	D14/403
D494,590 S	8/2004	Richter	
D519,509 S *	4/2006	Heatherly et al.	D14/403
7,025,310 B2	4/2006	Bouchard	
7,757,998 B1	7/2010	Fidali et al.	
2003/0169236 A1	9/2003	Crocker	

* cited by examiner

Primary Examiner—Austin Murphy

(74) *Attorney, Agent, or Firm*—American Patent Agency; Daniar Hussain

(57) **CLAIM**

The ornamental design for a computer mouse, as shown and described.

DESCRIPTION

FIG. 1 is a perspective view of a computer mouse showing the novel design;

FIG. 2 is a top view thereof;

FIG. 3 is a bottom view thereof;

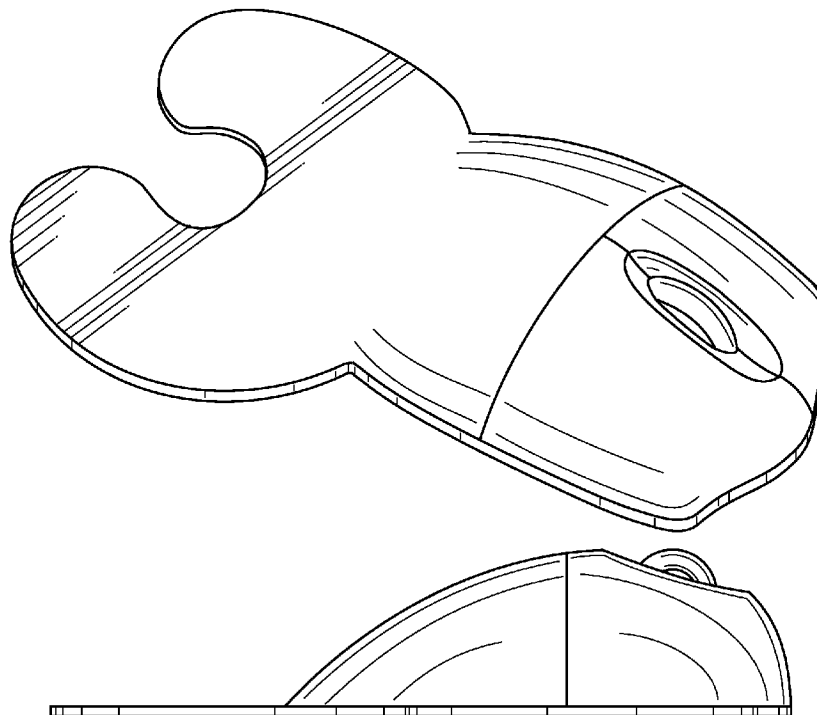
FIG. 4 is a side view thereof;

FIG. 5 is a front view thereof; and,

FIG. 6 is a back view thereof.

The broken lines shown in FIG. 3 represent portions of the computer mouse that form no part of the claimed design.

1 Claim, 2 Drawing Sheets



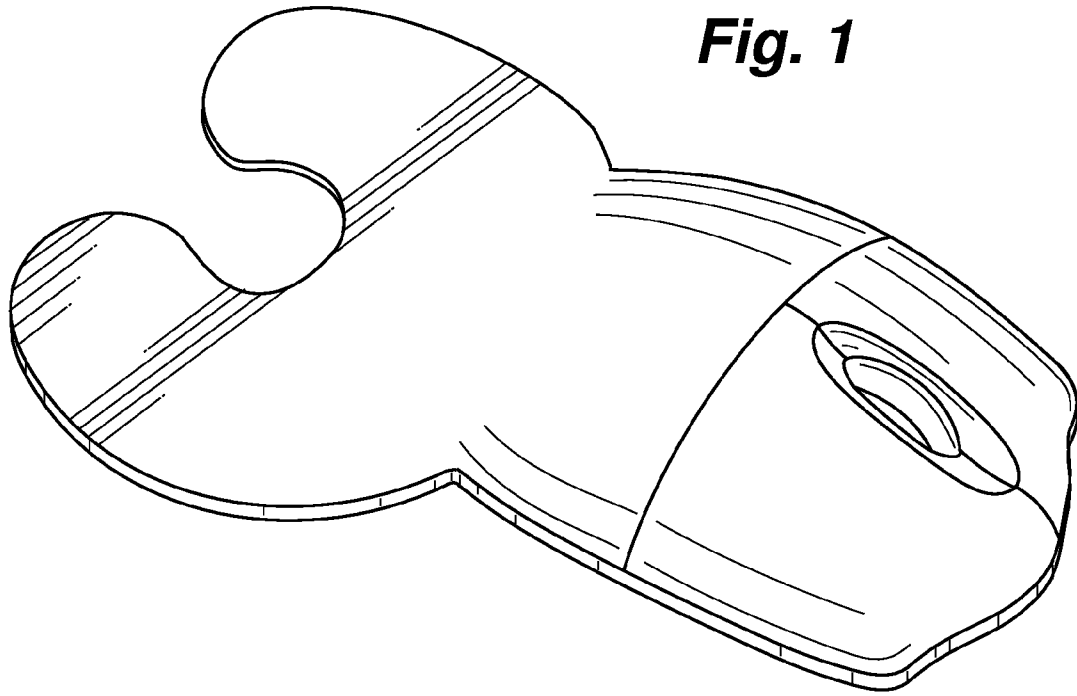


Fig. 2

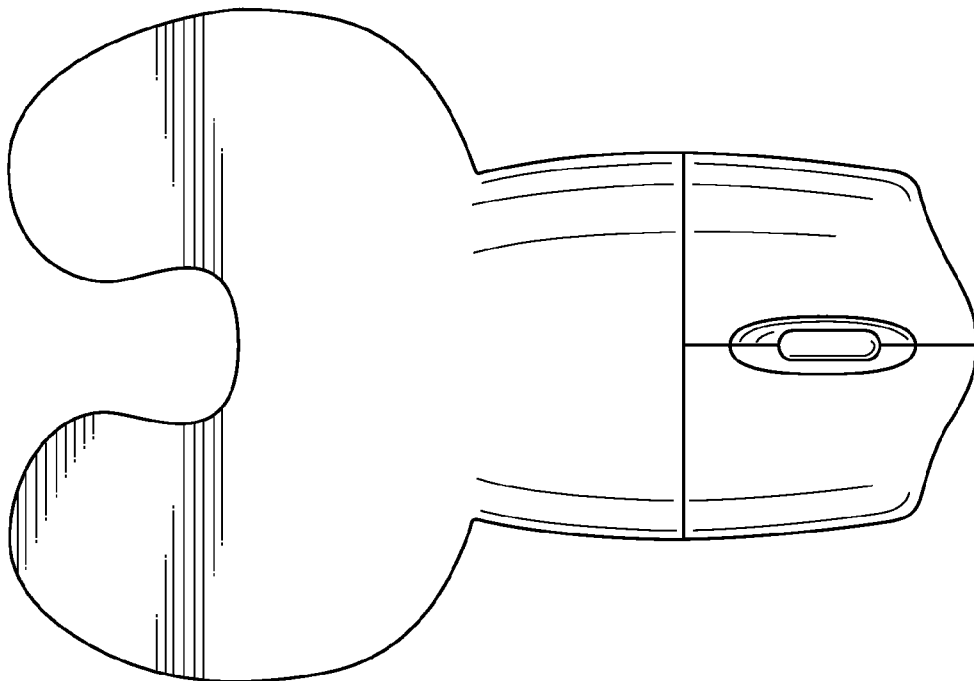


Fig. 3

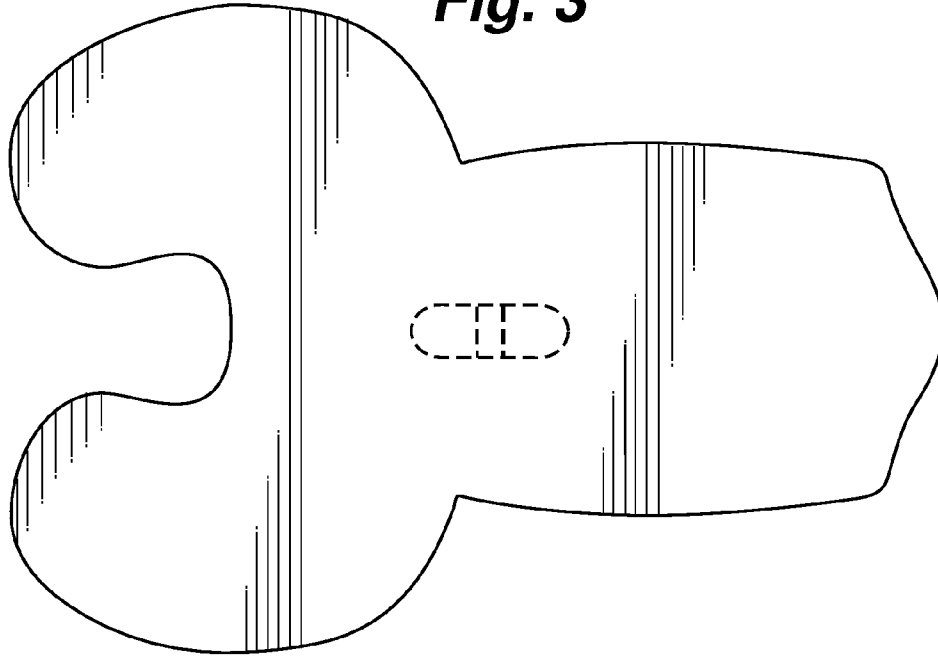


Fig. 4

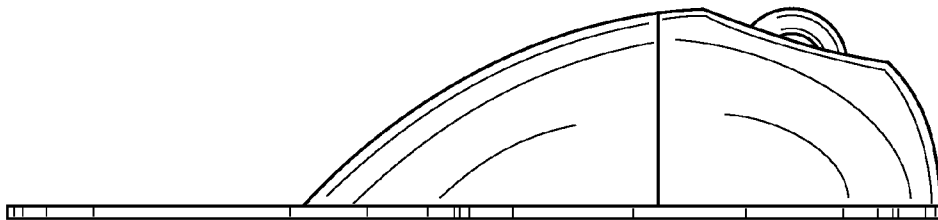


Fig. 5

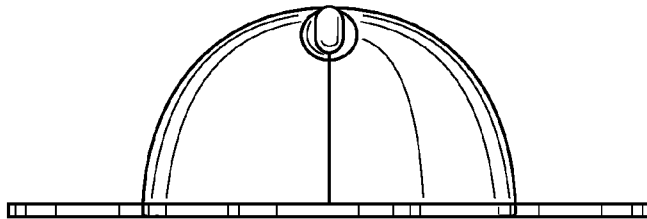


Fig. 6

