

(12) **United States Design Patent** (10) **Patent No.:** **US D950,255 S**  
**Choi** (45) **Date of Patent:** **\*\* May 3, 2022**

(54) **SLIM VANITY MIRROR WITH EMBEDDED PROTRUDING LIGHTS**

(71) Applicant: **Impressions Vanity Company**, Tustin, CA (US)

(72) Inventor: **Dong Kevin Choi**, Tustin, CA (US)

(73) Assignee: **Impressions Vanity Company**, Tustin, CA (US)

(\*\*) Term: **15 Years**

(21) Appl. No.: **29/687,472**

(22) Filed: **Apr. 12, 2019**

(51) **LOC (13) Cl.** ..... **06-07**

(52) **U.S. Cl.**  
 USPC ..... **D6/308**

(58) **Field of Classification Search**  
 USPC ..... D6/300-314

(Continued)

(56) **References Cited**

**U.S. PATENT DOCUMENTS**

D216,927 S \* 3/1970 Cole et al. .... D6/308  
 3,757,103 A \* 9/1973 Walter ..... F21V 33/00  
 362/2

(Continued)

*Primary Examiner* — Deanna L Pratt

(74) *Attorney, Agent, or Firm* — Ansari Katiraei LLP;  
 Arman Katiraei; Sadiq Ansari

(57) **CLAIM**

I claim the ornamental design for a slim vanity mirror with embedded protruding lights, as shown and described.

**DESCRIPTION**

FIG. 1 is a front view of a slim vanity mirror with embedded protruding lights, showing a first embodiment of my new design;

FIG. 2 is a perspective view thereof;  
 FIG. 3 is a back view thereof;  
 FIG. 4 is a left side view thereof;  
 FIG. 5 is a right side view thereof;  
 FIG. 6 is a front view of a first alternative embodiment of a slim vanity mirror with embedded protruding lights with rounded edges;  
 FIG. 7 is a perspective view of the first alternative embodiment;  
 FIG. 8 is a back view of the first alternative embodiment;  
 FIG. 9 is a left side view of the first alternative embodiment;  
 FIG. 10 is a right side view of the first alternative embodiment;  
 FIG. 11 is a front view of a second alternative embodiment of a slim vanity mirror with embedded protruding lights with a narrower width;  
 FIG. 12 is a perspective view of the second alternative embodiment;  
 FIG. 13 is a back view of the second alternative embodiment;  
 FIG. 14 is a left side view of the second alternative embodiment;  
 FIG. 15 is a right side view of the second alternative embodiment;  
 FIG. 16 is a front view of a third alternative embodiment of a slim vanity mirror with embedded protruding lights with the narrower width and additional lights;  
 FIG. 17 is a perspective view of the third alternative embodiment;  
 FIG. 18 is a back view of the third alternative embodiment;  
 FIG. 19 is a left side view of the third alternative embodiment;  
 FIG. 20 is a right side view of the third alternative embodiment;  
 FIG. 21 is a front view of a fourth alternative embodiment of a slim vanity mirror with embedded protruding lights with additional lights;  
 FIG. 22 is a perspective view of the fourth alternative embodiment;  
 FIG. 23 is a back view of the fourth alternative embodiment;  
 FIG. 24 is a left side view of the fourth alternative embodiment;  
 FIG. 25 is a right side view of the fourth alternative embodiment;

(Continued)

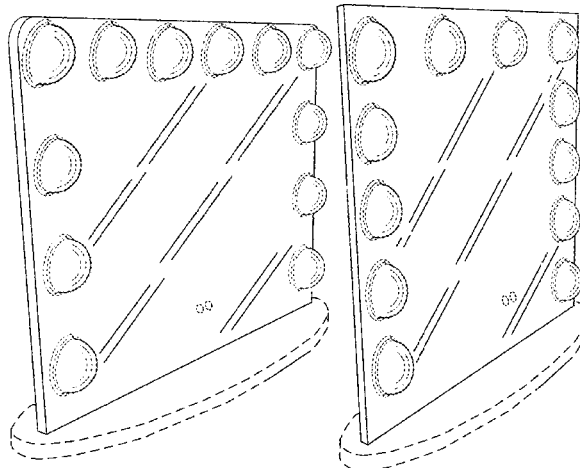


FIG. 26 is a front view of a fifth alternative embodiment of a slim vanity mirror with embedded protruding lights; FIG. 27 is a perspective view of the fifth alternative embodiment; FIG. 28 is a back view of the fifth alternative embodiment; FIG. 29 is a left side view of the fifth alternative embodiment; and, FIG. 30 is a right side view of the fifth alternative embodiment.

The broken lines are for the purpose of illustrating portions of the slim vanity mirror with embedded protruding lights, which form no part of the claimed design.

**1 Claim, 30 Drawing Sheets**

(58) **Field of Classification Search**

CPC ..... A45D 42/10; A47G 1/02  
See application file for complete search history.

(56) **References Cited**

U.S. PATENT DOCUMENTS

D261,817 S *	11/1981	Kretschmer .....	D6/308
D464,206 S *	10/2002	Moncourtois .....	D6/308
D779,217 S *	2/2017	Zhang .....	D6/308
D779,835 S *	2/2017	Zhang .....	D6/300
D809,322 S *	2/2018	Choi .....	D6/664.1
D898,384 S *	10/2020	Liu .....	D6/308
D902,607 S *	11/2020	Liu .....	D6/308
D918,601 S *	5/2021	Liu .....	D6/300
D923,945 S *	7/2021	Du .....	D6/308
D929,748 S *	9/2021	Choi .....	D6/301
D929,749 S *	9/2021	Choi .....	D6/301

\* cited by examiner

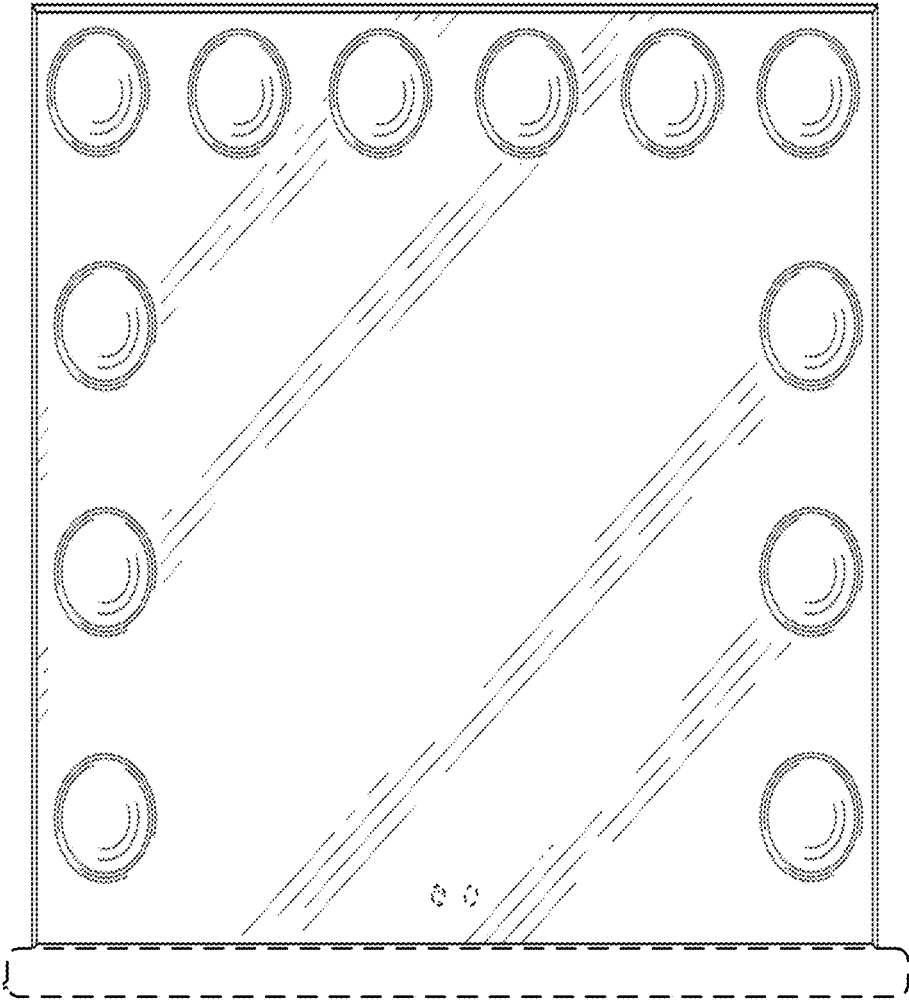


FIG. 1

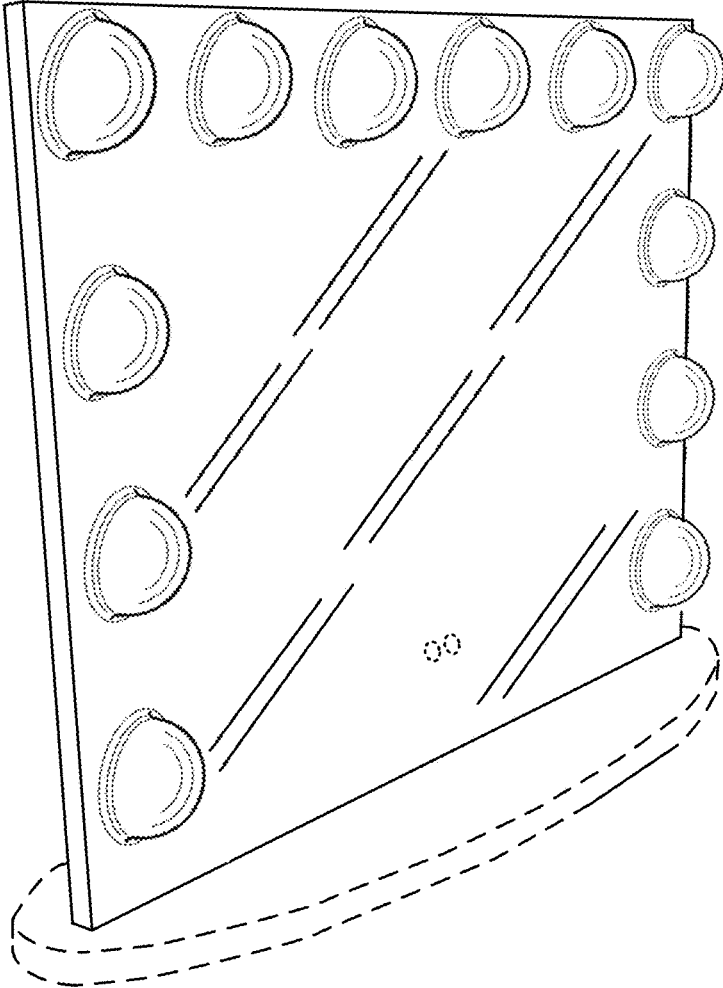


FIG. 2

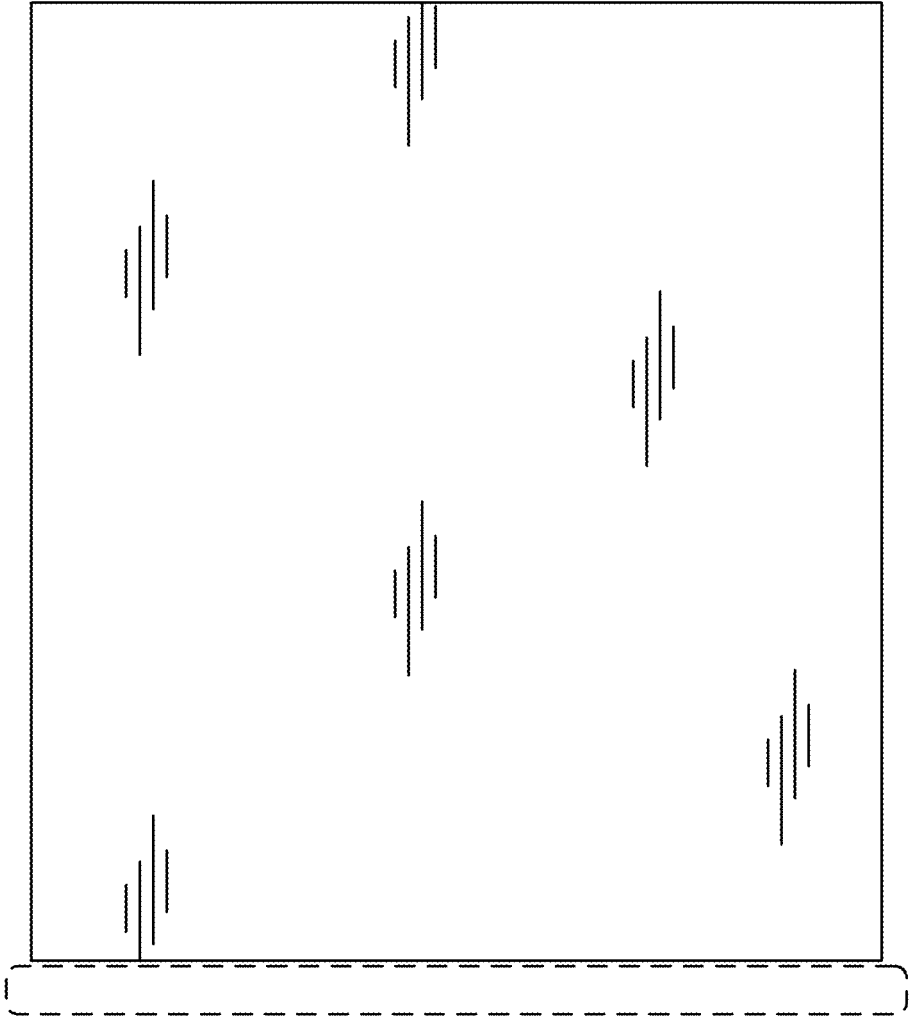
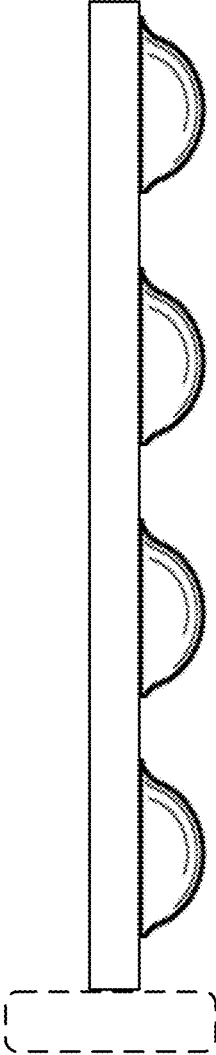
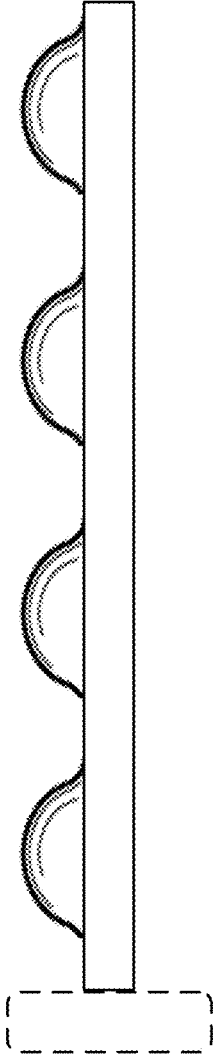


FIG. 3



**FIG. 4**



**FIG. 5**

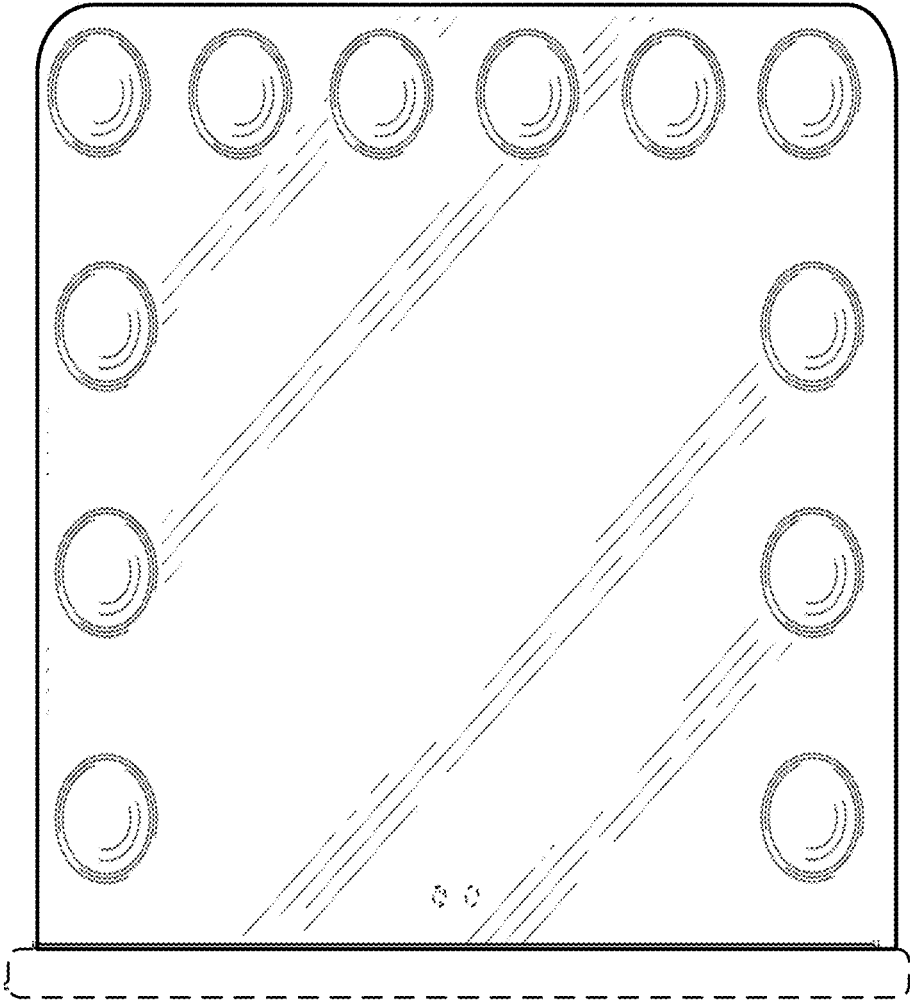


FIG. 6

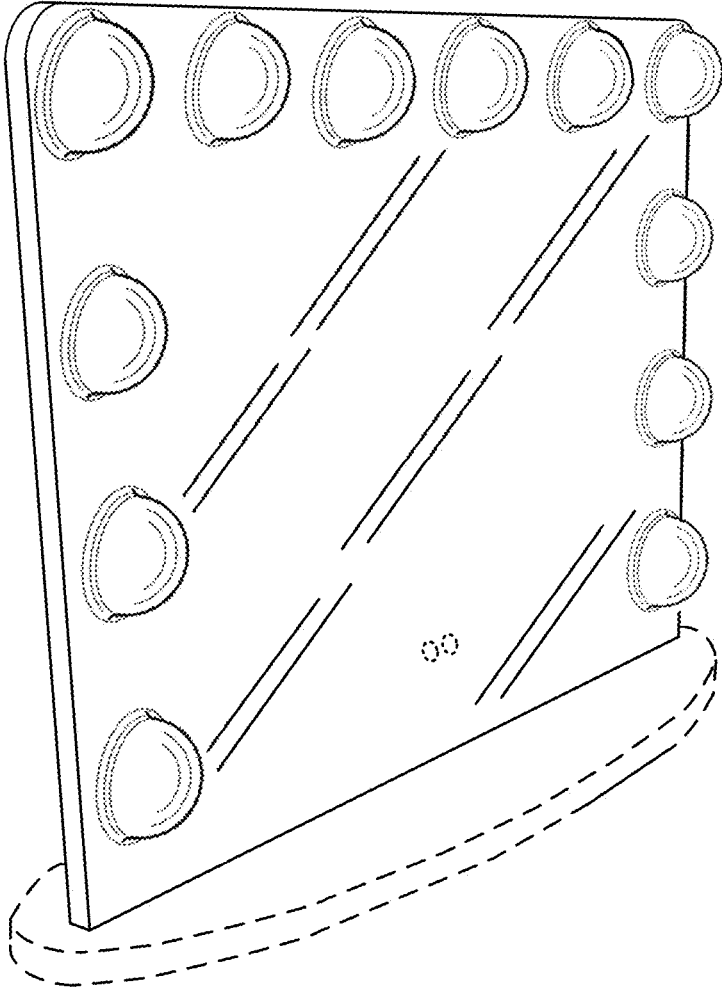
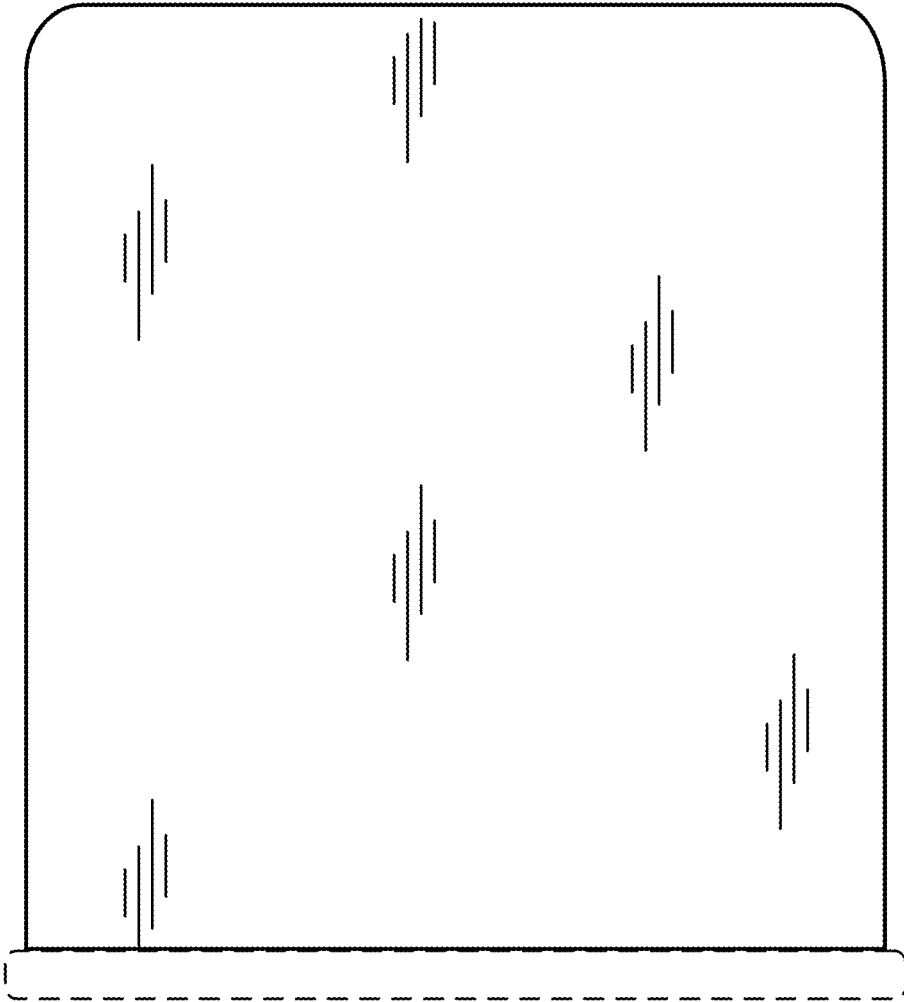


FIG. 7



**FIG. 8**

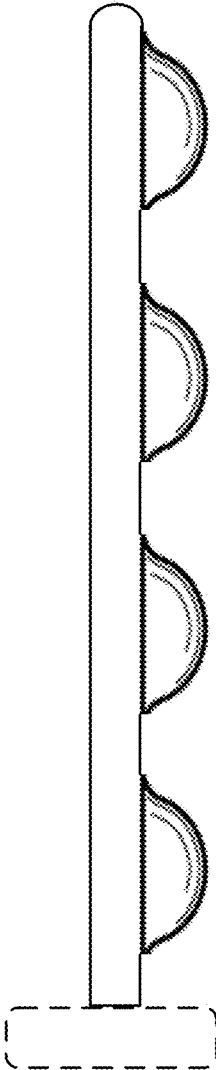
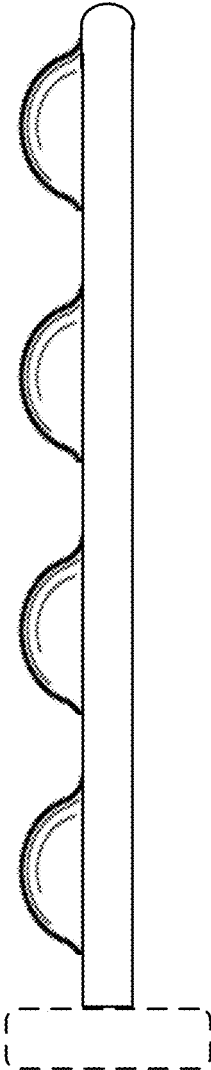


FIG. 9



**FIG. 10**

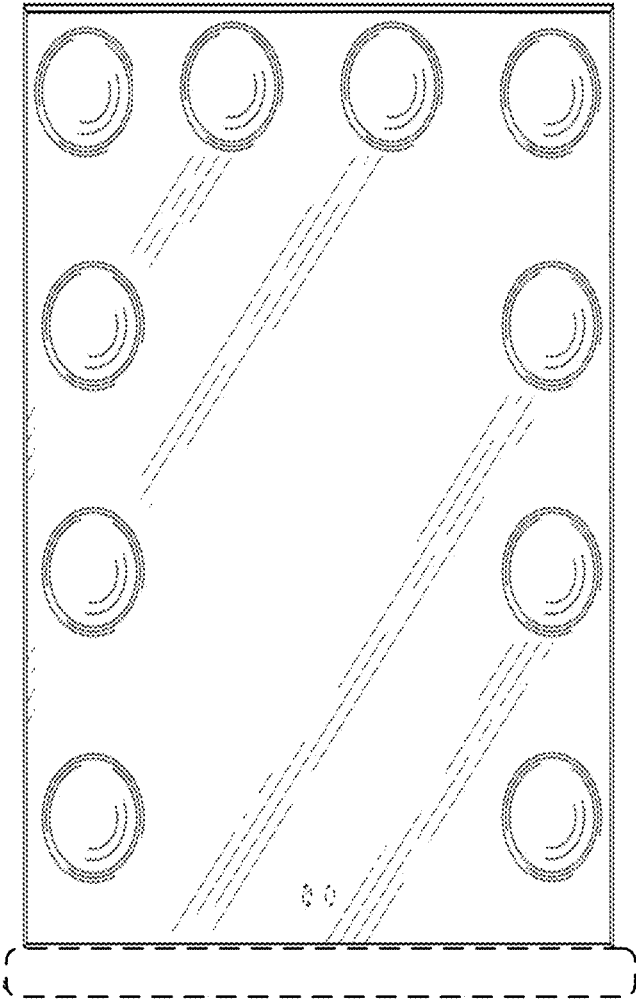


FIG. 11

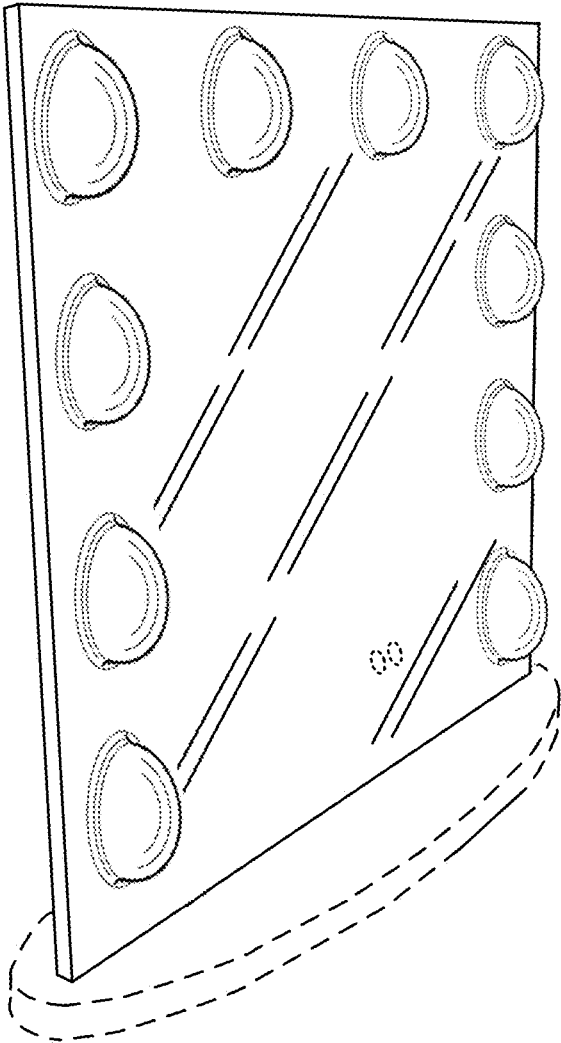


FIG. 12

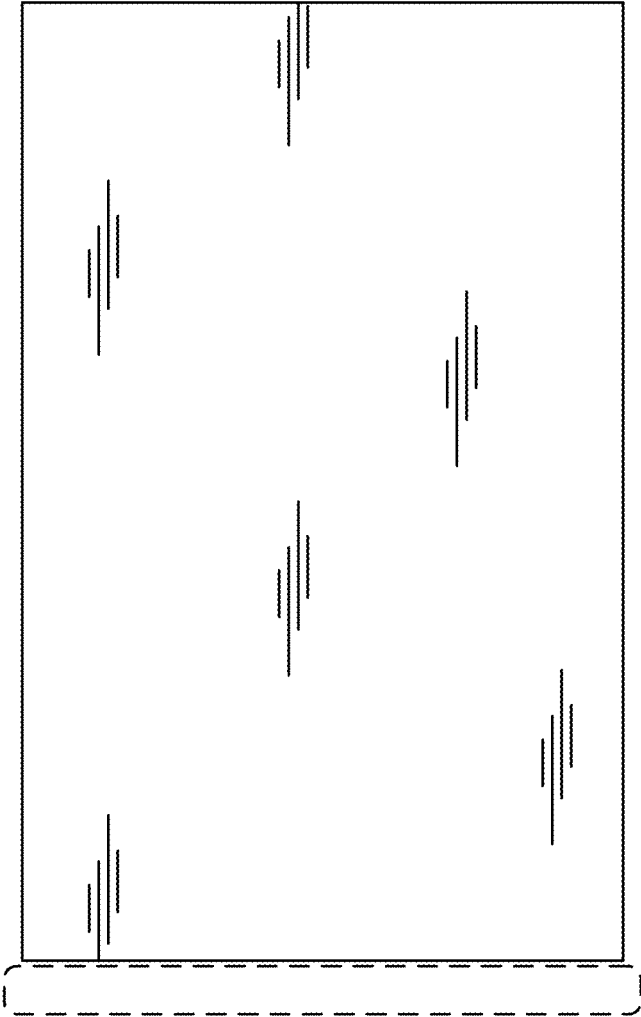


FIG. 13

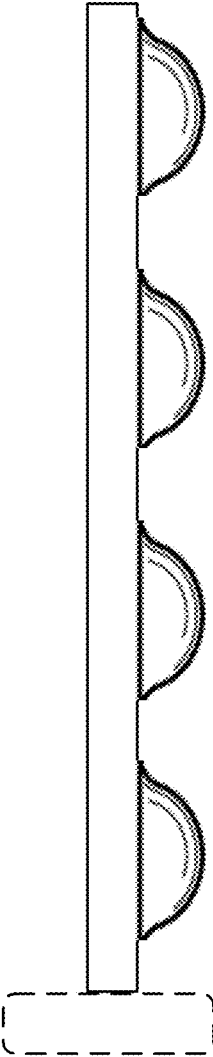
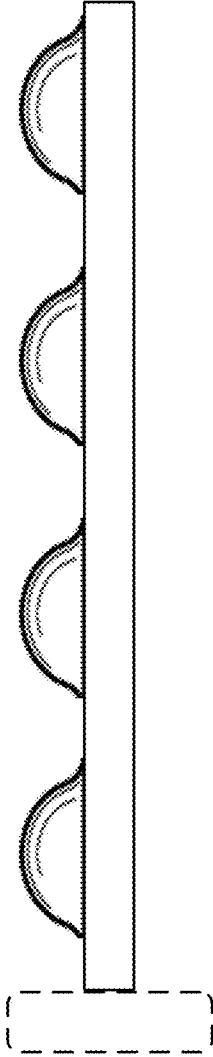


FIG. 14



**FIG. 15**

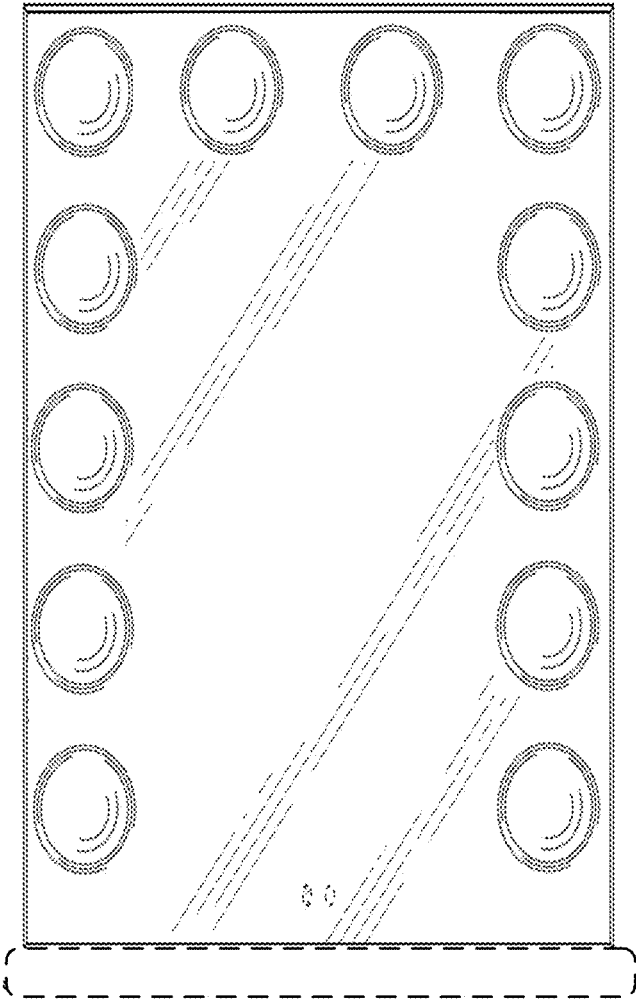


FIG. 16

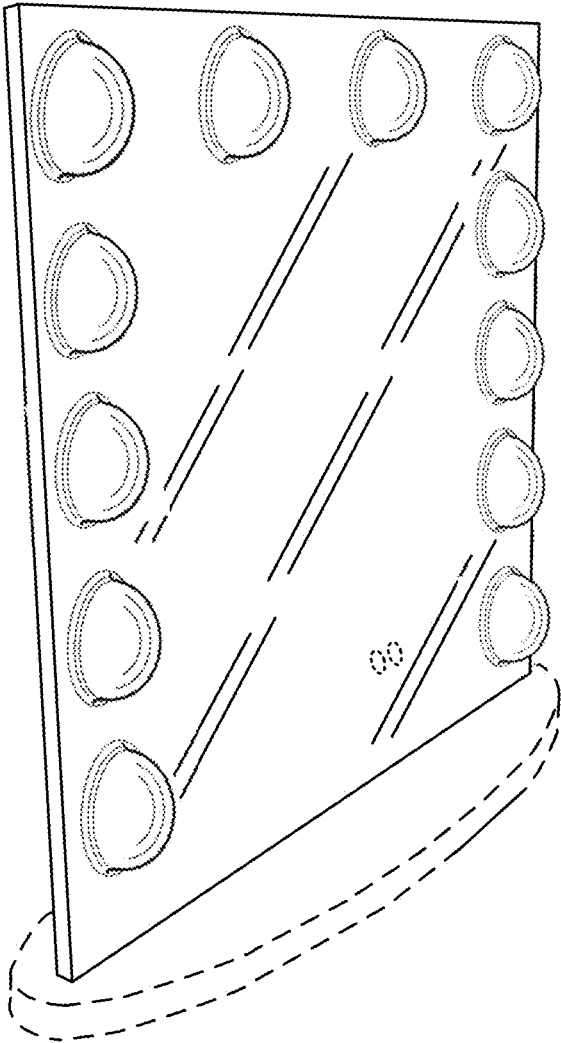


FIG. 17

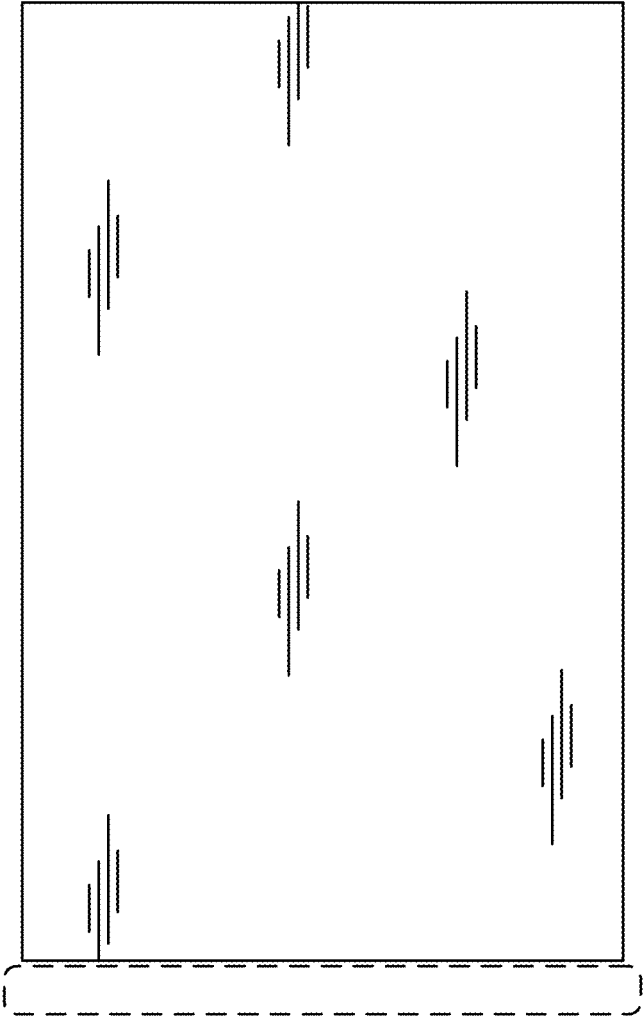
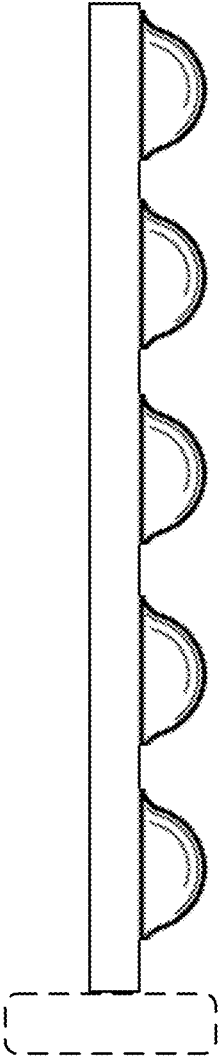
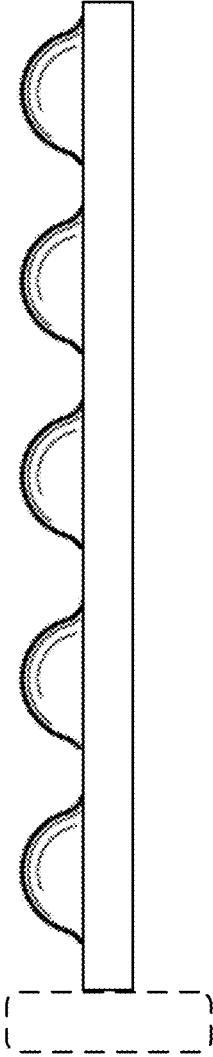


FIG. 18



**FIG. 19**



**FIG. 20**

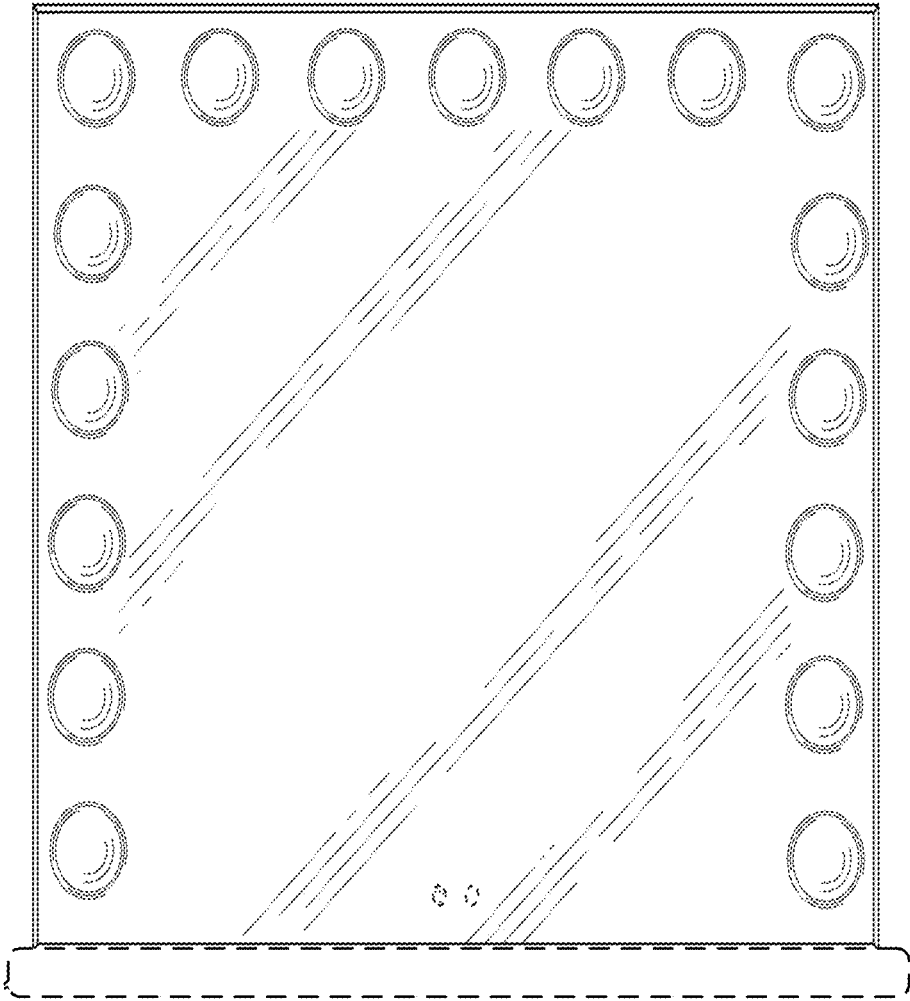
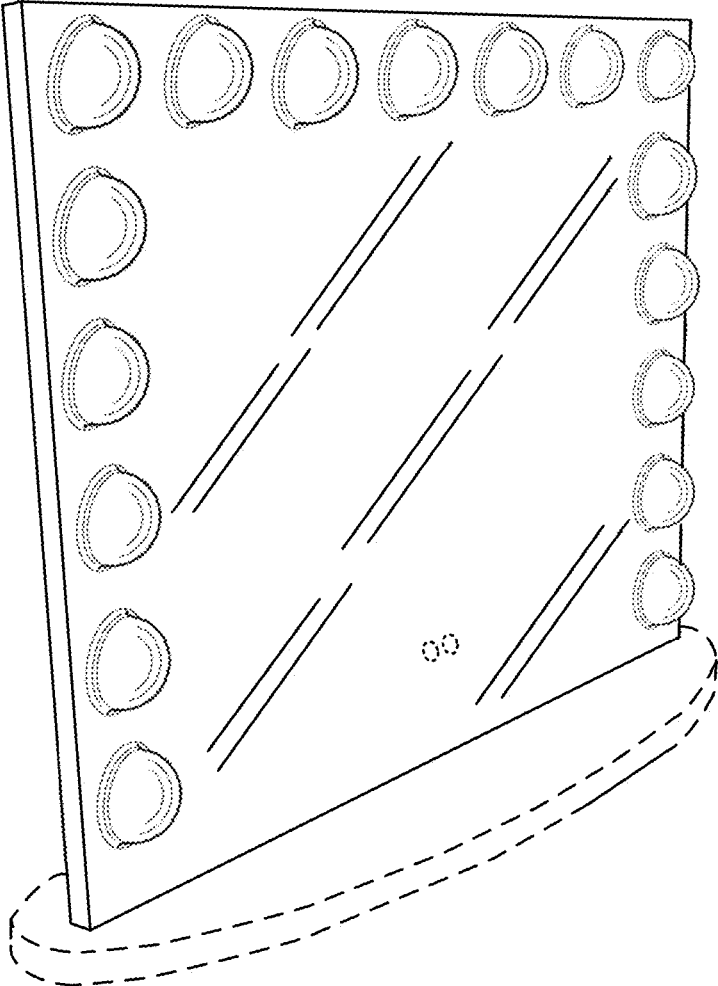
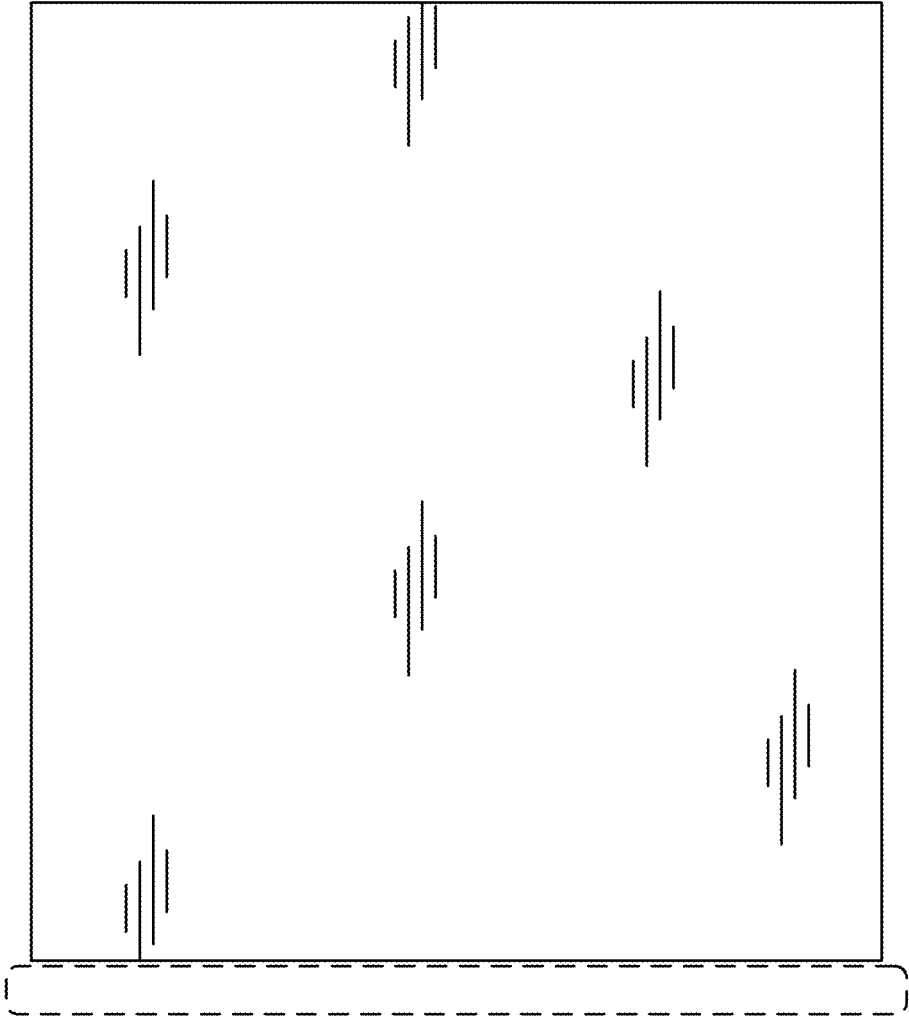


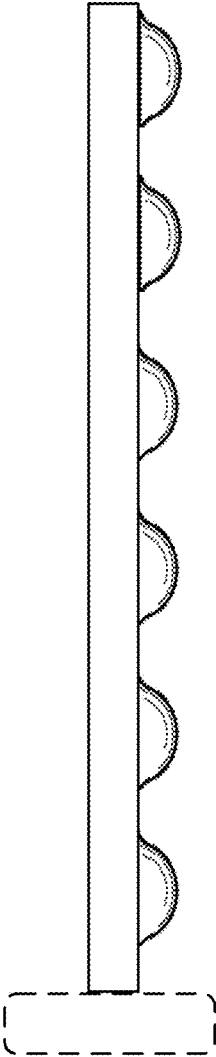
FIG. 21



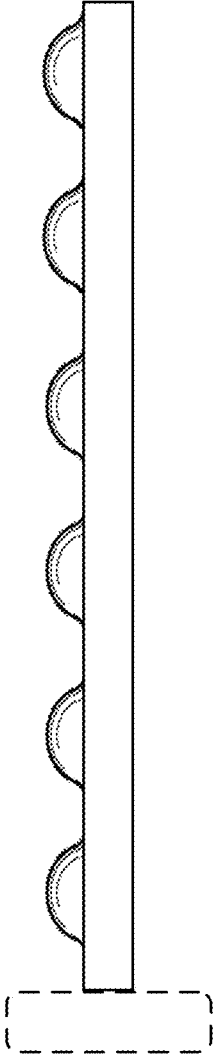
**FIG. 22**



**FIG. 23**



**FIG. 24**



**FIG. 25**

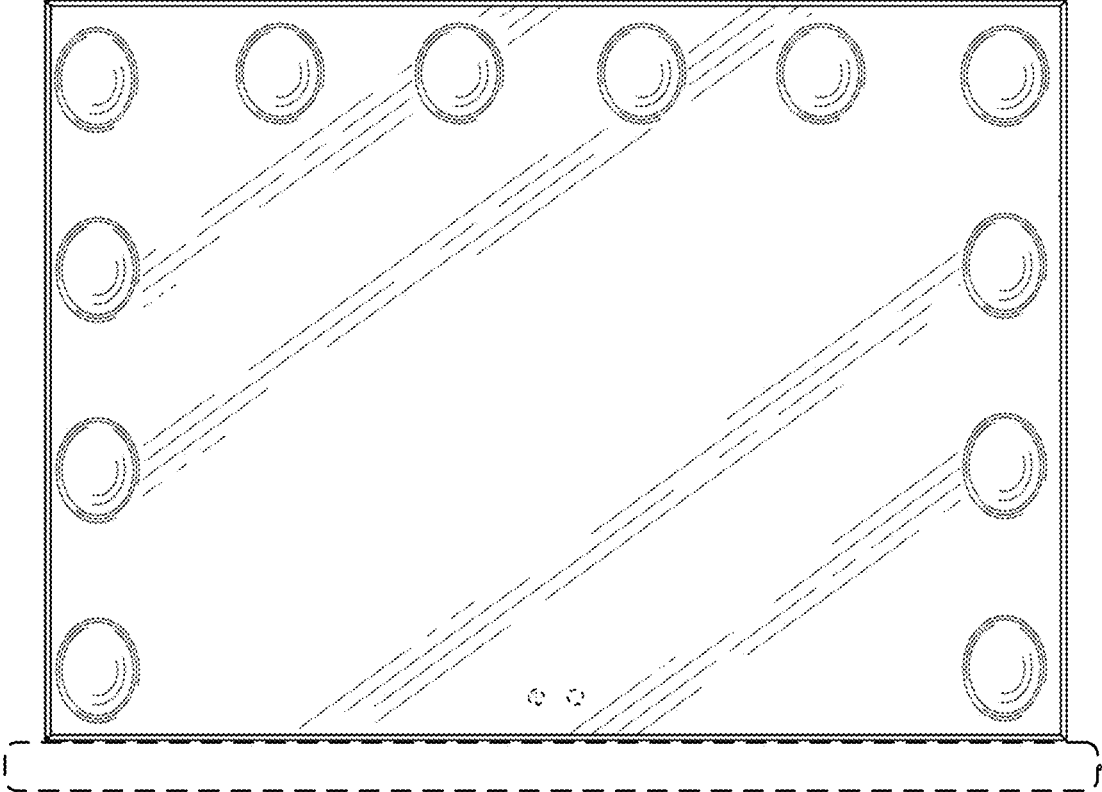


FIG. 26

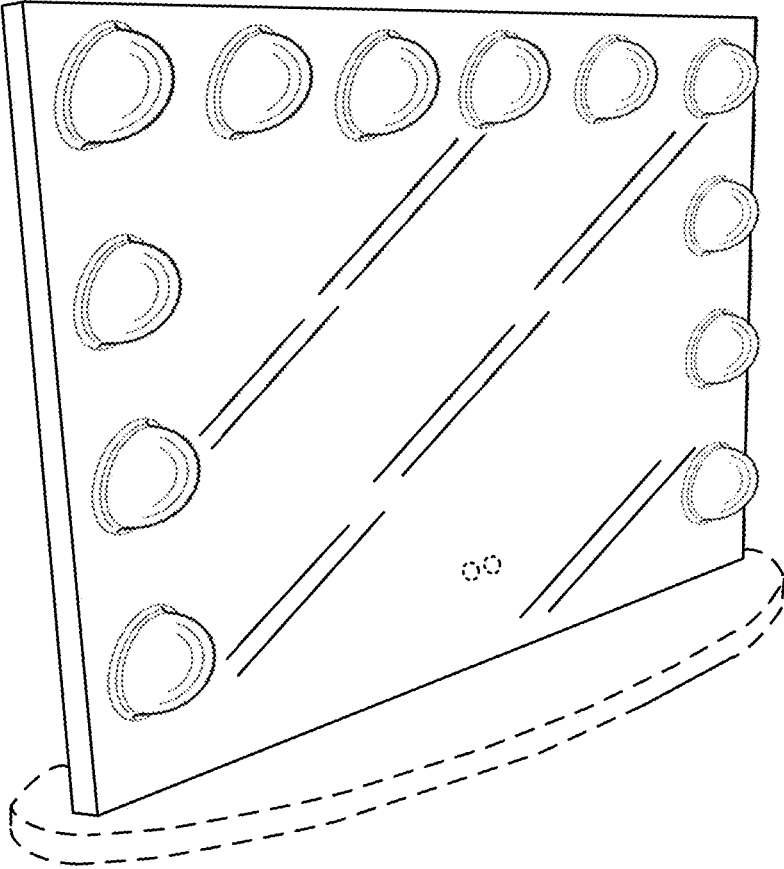
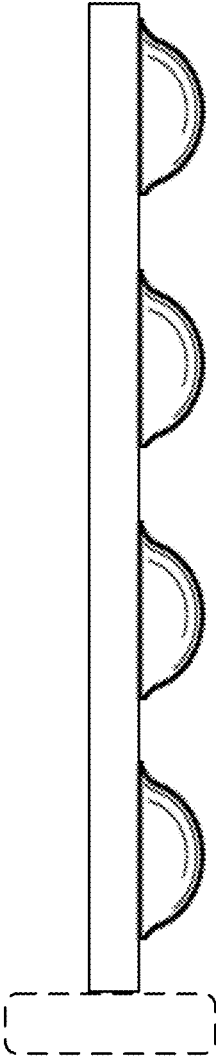


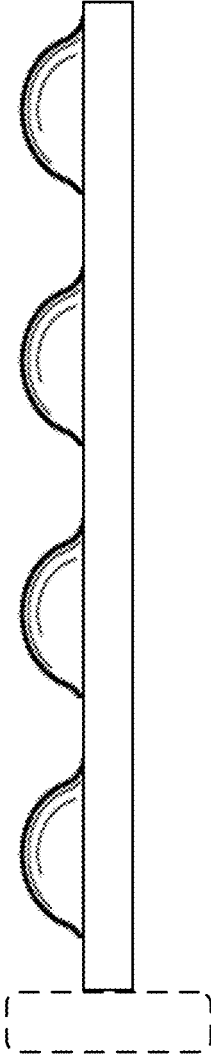
FIG. 27



**FIG. 28**



**FIG. 29**



**FIG. 30**