

(19) World Intellectual Property Organization  
International Bureau



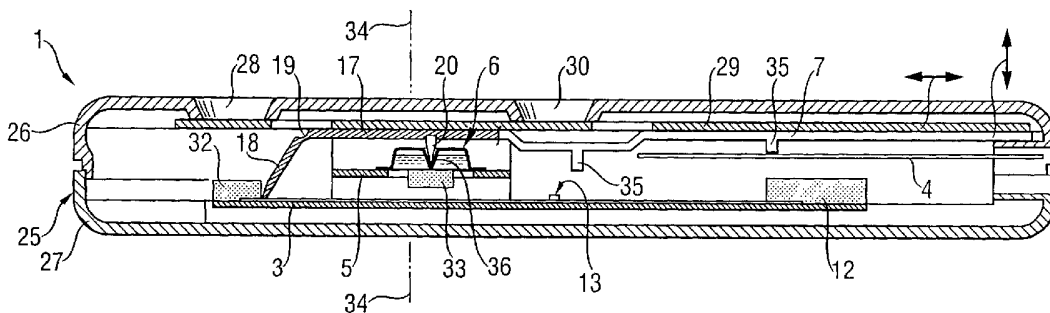
(43) International Publication Date  
7 February 2002 (07.02.2002)

PCT

(10) International Publication Number  
**WO 02/010754 A3**

- (51) International Patent Classification<sup>7</sup>: **G01N 33/558** [GB/GB]; 58 Henley Way, ELY, Cambridgeshire CB7 4YJ (GB).
- (21) International Application Number: PCT/EP01/08724
- (22) International Filing Date: 27 July 2001 (27.07.2001)
- (25) Filing Language: English
- (26) Publication Language: English
- (30) Priority Data:  
0018741.9 31 July 2000 (31.07.2000) GB
- (71) Applicant (for all designated States except US): **CAMBRIDGE LIFE SCIENCES PLC** [GB/GB]; Cambridgeshire Business Park, Angel Drove, ELY, Cambridgeshire CB7 4DT (GB).
- (72) Inventors; and
- (75) Inventors/Applicants (for US only): **LONG, Nicholas, David** [GB/GB]; 361 Hanworth Road, HAMPTON, Middlesex TW12 3EJ (GB). **PEARSON, Michael, Thomas** [GB/GB]; Ferry Cottage, 34 Cherry Orchard Road, WEST MOLESEY, Surrey KT8 1QZ (GB). **RAWSON, Keith**
- (74) Agent: **RUPP, Herbert**; c/o Byk Gulden Lomberg, Chemische Fabrik GmbH, P.O.Box 100310, 78403 Konstanz (DE).
- (81) Designated States (national): JP, US.
- (84) Designated States (regional): European patent (AT, BE, CH, CY, DE, DK, ES, FI, FR, GB, GR, IE, IT, LU, MC, NL, PT, SE, TR).
- Published:**  
— with international search report  
— before the expiration of the time limit for amending the claims and to be republished in the event of receipt of amendments
- (88) Date of publication of the international search report:  
28 November 2002
- For two-letter codes and other abbreviations, refer to the "Guidance Notes on Codes and Abbreviations" appearing at the beginning of each regular issue of the PCT Gazette.

(54) Title: ASSAY APPARATUS



(57) Abstract: Assay apparatus comprising: a moulded cartridge containing a lateral flow test strip which has a label pad containing an enzyme antibody or antigen conjugate having affinity for an analyte; a capture zone having a capture antibody or antigen having affinity for said analyte; a reagent storage blister; a means for removing sample and/or label pad from the lateral flow test strip; a meter in which the cartridge is inserted enabling the control for reagent release from the reagent storage blister and for the sample and/or label pad removal and a means of providing quantitative measurement of said analyte.

WO 02/010754 A3

## INTERNATIONAL SEARCH REPORT

In International Application No  
PCT/EP 01/08724

<b>A. CLASSIFICATION OF SUBJECT MATTER</b> IPC 7 G01N33/558		
According to International Patent Classification (IPC) or to both national classification and IPC		
<b>B. FIELDS SEARCHED</b>		
Minimum documentation searched (classification system followed by classification symbols) IPC 7 G01N		
Documentation searched other than minimum documentation to the extent that such documents are included in the fields searched		
Electronic data base consulted during the international search (name of data base and, where practical, search terms used) EPO-Internal, WPI Data, PAJ		
<b>C. DOCUMENTS CONSIDERED TO BE RELEVANT</b>		
Category *	Citation of document, with indication, where appropriate, of the relevant passages	Relevant to claim No.
A	US 5 756 362 A (DURST RICHARD ALLEN ET AL) 26 May 1998 (1998-05-26) the whole document	1
A	US 5 635 358 A (WILDING PETER ET AL) 3 June 1997 (1997-06-03) abstract	1
A	WO 96 15454 A (BRAACH MAKSVYTIS VIJOLETA L ;KING LIONEL G (AU); UNIV SYDNEY (AU);) 23 May 1996 (1996-05-23) abstract	1
<input type="checkbox"/> Further documents are listed in the continuation of box C. <input checked="" type="checkbox"/> Patent family members are listed in annex.		
* Special categories of cited documents : *A* document defining the general state of the art which is not considered to be of particular relevance *E* earlier document but published on or after the international filing date *L* document which may throw doubts on priority claim(s) or which is cited to establish the publication date of another citation or other special reason (as specified) *O* document referring to an oral disclosure, use, exhibition or other means *P* document published prior to the international filing date but later than the priority date claimed *T* later document published after the international filing date or priority date and not in conflict with the application but cited to understand the principle or theory underlying the invention *X* document of particular relevance; the claimed invention cannot be considered novel or cannot be considered to involve an inventive step when the document is taken alone *Y* document of particular relevance; the claimed invention cannot be considered to involve an inventive step when the document is combined with one or more other such documents, such combination being obvious to a person skilled in the art. *&* document member of the same patent family		
Date of the actual completion of the international search  10 September 2002		Date of mailing of the international search report  24/09/2002
Name and mailing address of the ISA European Patent Office, P.B. 5818 Patentlaan 2 NL - 2280 HV Rijswijk Tel. (+31-70) 340-2040, Tx. 31 651 epo nl, Fax: (+31-70) 340-3016		Authorized officer  Moreno, C

## INTERNATIONAL SEARCH REPORT

Information on patent family members

International Application No

PCT/EP 01/08724

Patent document cited in search report		Publication date	Patent family member(s)	Publication date
US 5756362	A	26-05-1998	US 5789154 A	04-08-1998
			AU 707803 B2	22-07-1999
			AU 5295996 A	21-08-1996
			CA 2211132 A1	08-08-1996
			EP 0807255 A1	19-11-1997
			US 6086748 A	11-07-2000
			WO 9624062 A1	08-08-1996
			US 5753519 A	19-05-1998
			US 6248596 B1	19-06-2001
US 5635358	A	03-06-1997	US 5304487 A	19-04-1994
			US 6184029 B1	06-02-2001
			US 5726026 A	10-03-1998
			US 5928880 A	27-07-1999
			AT 155711 T	15-08-1997
			AT 167816 T	15-07-1998
			AT 140025 T	15-07-1996
			AT 140880 T	15-08-1996
			AT 174813 T	15-01-1999
			AU 677780 B2	08-05-1997
			AU 4222393 A	29-11-1993
			AU 680195 B2	24-07-1997
			AU 4222593 A	29-11-1993
			AU 677781 B2	08-05-1997
			AU 4222693 A	29-11-1993
			AU 4222793 A	29-11-1993
			AU 677197 B2	17-04-1997
			AU 4223593 A	29-11-1993
			CA 2134474 A1	11-11-1993
			CA 2134475 A1	11-11-1993
			CA 2134476 A1	11-11-1993
			CA 2134477 A1	11-11-1993
			CA 2134478 A1	11-11-1993
			DE 69303483 D1	08-08-1996
			DE 69303483 T2	06-02-1997
			DE 69303898 D1	05-09-1996
			DE 69303898 T2	20-02-1997
			DE 69312483 D1	04-09-1997
			DE 69312483 T2	12-02-1998
			DE 69319427 D1	06-08-1998
			DE 69319427 T2	10-12-1998
			DE 69322774 D1	04-02-1999
			DE 69322774 T2	17-06-1999
			EP 0637996 A1	15-02-1995
			EP 0637997 A1	15-02-1995
			EP 0639223 A1	22-02-1995
			EP 0637998 A1	15-02-1995
			EP 0637999 A1	15-02-1995
			ES 2106341 T3	01-11-1997
			ES 2127276 T3	16-04-1999
			GR 3025037 T3	30-01-1998
			GR 3029509 T3	28-05-1999
			HK 16897 A	13-02-1997
			JP 3298882 B2	08-07-2002
			JP 7506430 T	13-07-1995
			JP 7506431 T	13-07-1995
			JP 7506256 T	13-07-1995
			JP 3207424 B2	10-09-2001

# INTERNATIONAL SEARCH REPORT

Information on patent family members

International Application No PCT/EP 01/08724
---

Patent document cited in search report	A	Publication date	Patent family member(s)	Publication date
US 5635358	A		JP 7506257 T JP 7506258 T	13-07-1995 13-07-1995
WO 9615454	A	23-05-1996	AU 696582 B2 AU 3864395 A WO 9615454 A1 CA 2205372 A1 EP 0791176 A1 JP 10509516 T	17-09-1998 06-06-1996 23-05-1996 23-05-1996 27-08-1997 14-09-1998