



US00D855418S

(12) **United States Design Patent**  
**Bagley**

(10) **Patent No.:** **US D855,418 S**

(45) **Date of Patent:** **\*\* Aug. 6, 2019**

(54) **BANANA CUTTER**

8,596,192 B2 \* 12/2013 Hauser ..... B26D 3/283  
99/537

(71) Applicant: **Progressive International Corporation, Kent, WA (US)**

\* cited by examiner

(72) Inventor: **Justin Bagley, Kent, WA (US)**

*Primary Examiner* — Terry A Wallace

(73) Assignee: **Progressive International Corporation, Kent, WA (US)**

(74) *Attorney, Agent, or Firm* — Lowe Graham Jones PLLC

(\*\*) Term: **15 Years**

(21) Appl. No.: **29/635,458**

(57) **CLAIM**

(22) Filed: **Jan. 31, 2018**

I claim the ornamental design for a banana cutter, as shown.

(51) **LOC (12) Cl.** ..... **07-04**

(52) **U.S. Cl.**  
USPC ..... **D7/693**

**DESCRIPTION**

(58) **Field of Classification Search**  
USPC ..... D7/672-676, 693-696, 669, 368  
CPC ..... B26D 1/553; B26D 1/547; B26D 3/283;  
B26D 3/185; B26D 3/24; B26D 3/245;  
B26D 3/26; A01J 23/00  
See application file for complete search history.

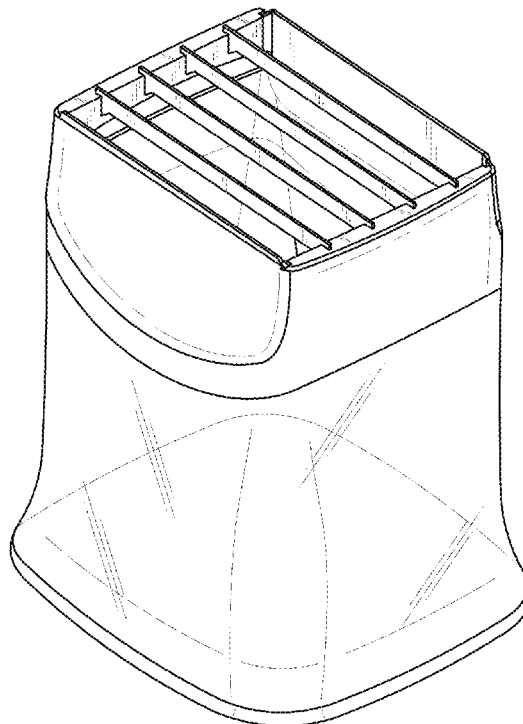
FIG. 1 is a top perspective view of a banana cutter, showing my new design.  
FIG. 2 is a bottom perspective view of the banana cutter.  
FIG. 3 is a right side view of the banana cutter.  
FIG. 4 is a left side view of the banana cutter.  
FIG. 5 is a front view of the banana cutter.  
FIG. 6 is a rear view of the banana cutter.  
FIG. 7 is a top view of the banana cutter; and,  
FIG. 8 is a bottom view of the banana cutter.

(56) **References Cited**

**U.S. PATENT DOCUMENTS**

5,271,317 A \* 12/1993 Aguerrevere ..... B26D 3/185  
83/404.3

**1 Claim, 8 Drawing Sheets**



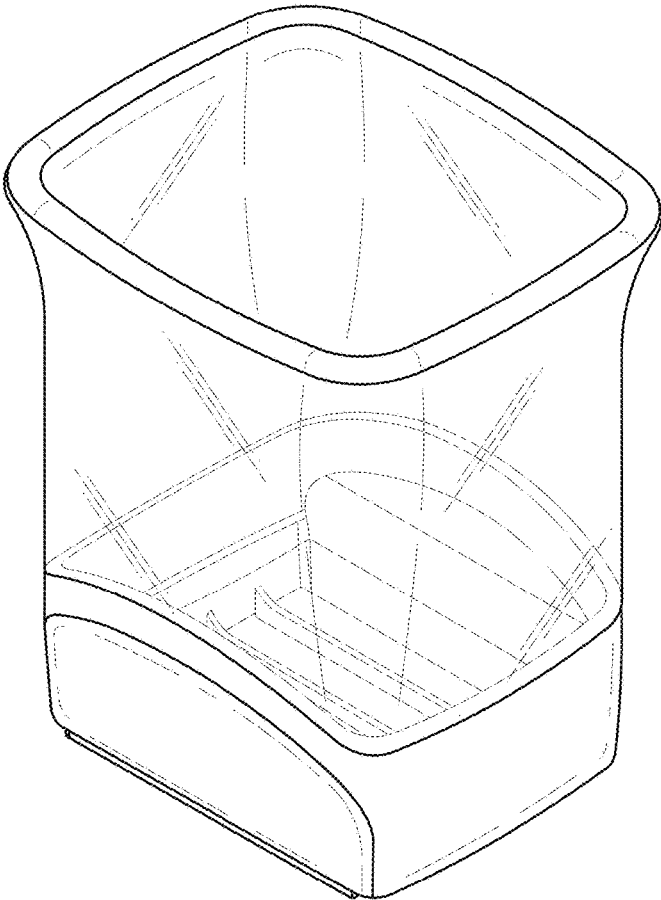


FIG. 1

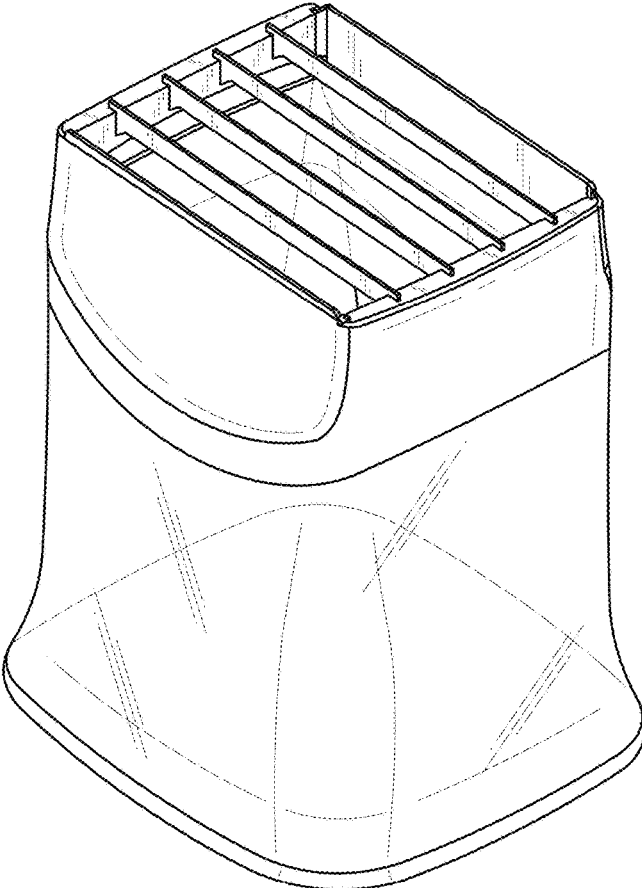


FIG. 2

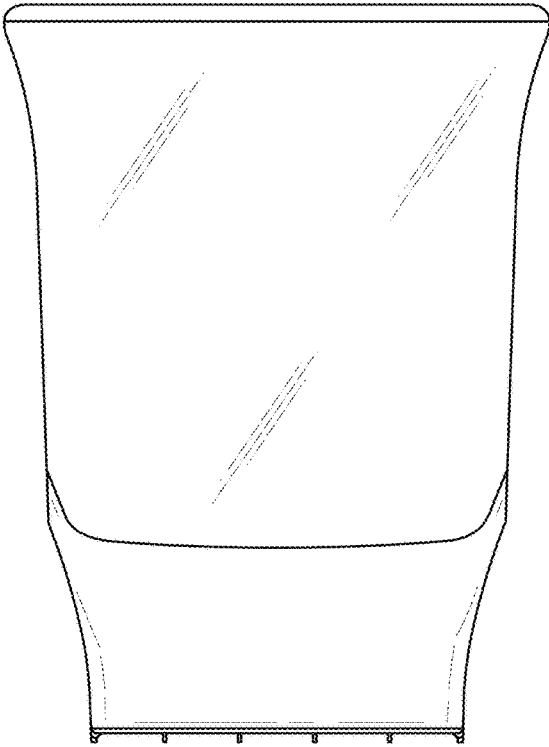


FIG. 3

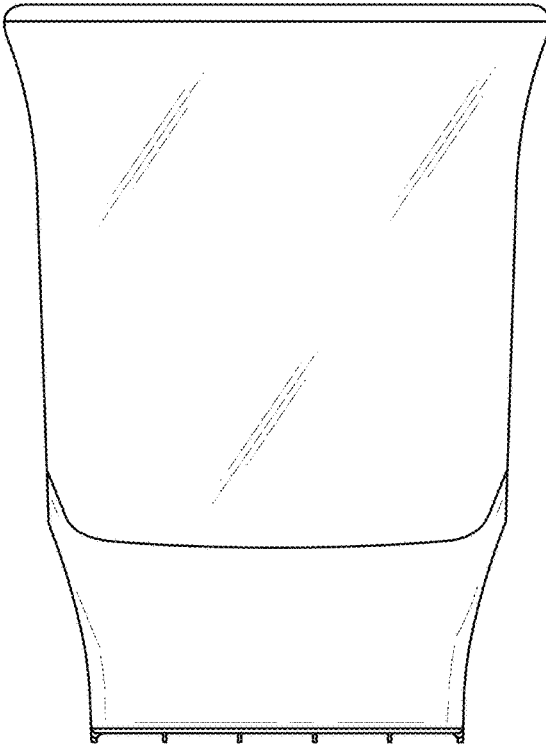


FIG. 4

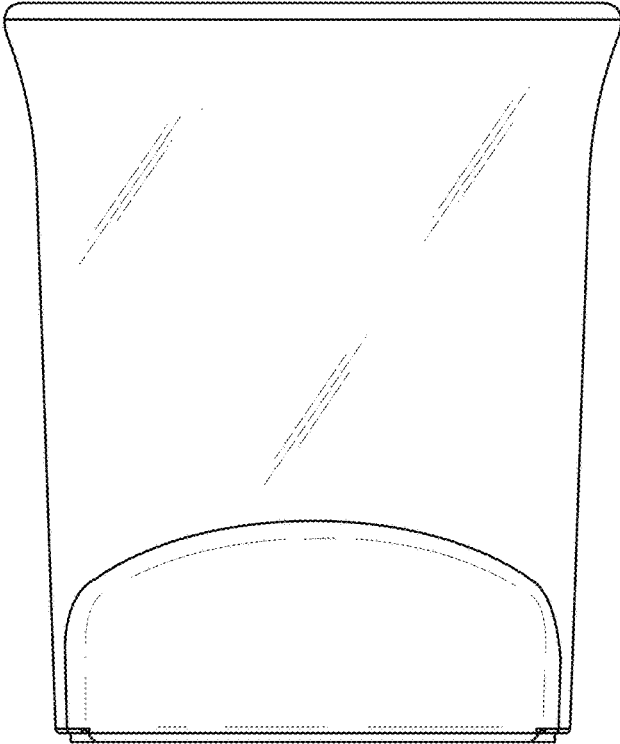


FIG. 5

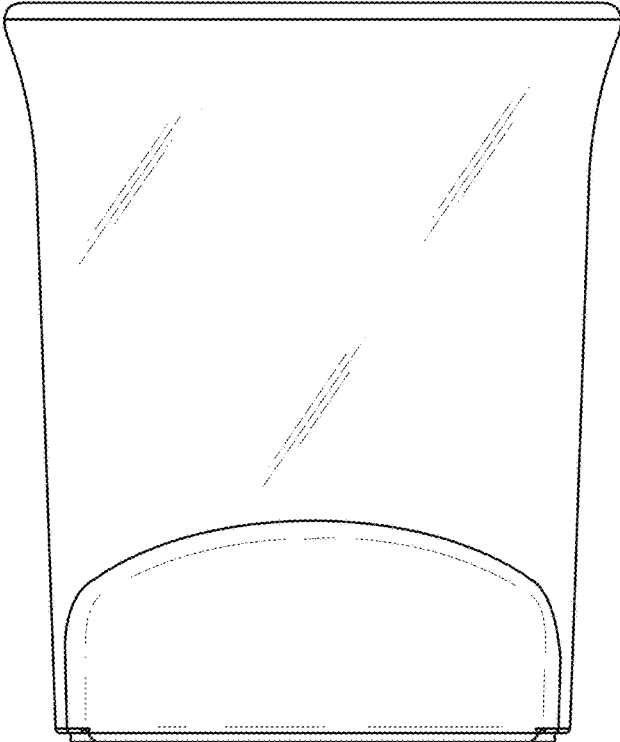


FIG. 6

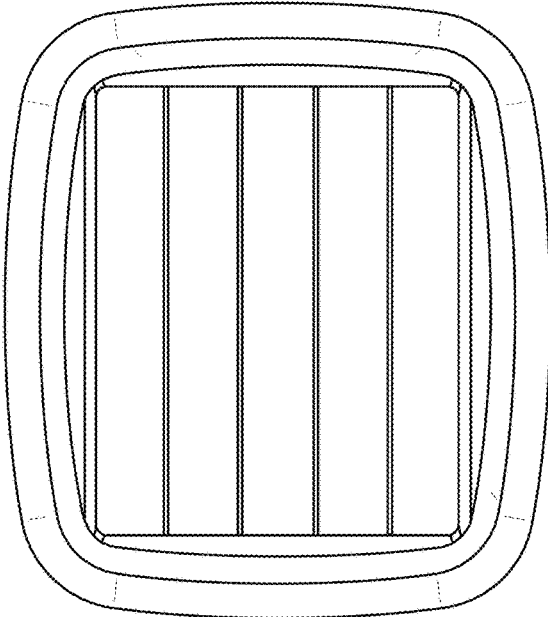


FIG. 7

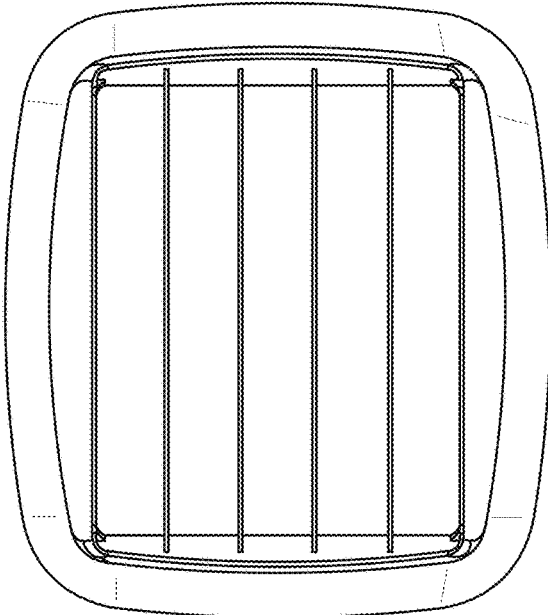


FIG. 8