

(19) World Intellectual Property Organization
International Bureau



(43) International Publication Date
23 March 2006 (23.03.2006)

PCT

(10) International Publication Number
WO 2006/030332 A3

- (51) International Patent Classification:
G01R 33/36 (2006.01)
- (21) International Application Number:
PCT/IB2005/052736
- (22) International Filing Date: 19 August 2005 (19.08.2005)
- (25) Filing Language: English
- (26) Publication Language: English
- (30) Priority Data:
60/610,467 16 September 2004 (16.09.2004) US
- (71) Applicant (for all designated States except US): **KONINKLIJKE PHILIPS ELECTRONICS N.V.** [NL/NL]; Groenewoudseweg 1, NL-5621 BA Eindhoven (NL).
- (72) Inventors; and
- (75) Inventors/Applicants (for US only): **WARNTJES, Marcel** [NL/NL]; P.O. Box 10, 000, NL-5680-DA Best (NL). **VANHELVOORT, Marinus, J.** [NL/NL]; P.O. Box 10, 000, NL-5680-DA Best (NL). **KOENIG, Steven, M.**

[US/US]; 595 Miner Road, Cleveland, Ohio 44143 (US). **CHMIELEWSKI, Thomas** [US/US]; 595 Miner Road, Cleveland, Ohio 44143 (US).

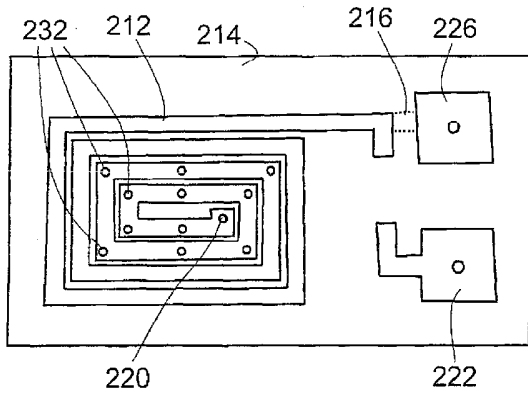
(74) Common Representative: **KONINKLIJKE PHILIPS ELECTRONICS N.V.**; c/o LUNDIN, Thomas, M., 595 Miner Road, Cleveland, OH 44143 (US).

(81) Designated States (unless otherwise indicated, for every kind of national protection available): AE, AG, AL, AM, AT, AU, AZ, BA, BB, BG, BR, BW, BY, BZ, CA, CH, CN, CO, CR, CU, CZ, DE, DK, DM, DZ, EC, EE, EG, ES, FI, GB, GD, GE, GH, GM, HR, HU, ID, IL, IN, IS, JP, KE, KG, KM, KP, KR, KZ, LC, LK, LR, LS, LT, LU, LV, MA, MD, MG, MK, MN, MW, MX, MZ, NA, NG, NI, NO, NZ, OM, PG, PH, PL, PT, RO, RU, SC, SD, SE, SG, SK, SL, SM, SY, TJ, TM, TN, TR, TT, TZ, UA, UG, US, UZ, VC, VN, YU, ZA, ZM, ZW.

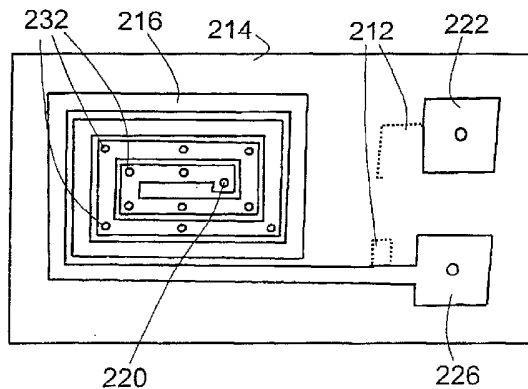
(84) Designated States (unless otherwise indicated, for every kind of regional protection available): ARIPO (BW, GH, GM, KE, LS, MW, MZ, NA, SD, SL, SZ, TZ, UG, ZM, ZW), Eurasian (AM, AZ, BY, KG, KZ, MD, RU, TJ, TM), European (AT, BE, BG, CH, CY, CZ, DE, DK, EE, ES, FI,

[Continued on next page]

(54) Title: MAGNETIC RESONANCE RECEIVE COILS WITH COMPACT INDUCTIVE COMPONENTS



A



B

(57) Abstract: A low profile radio frequency coil (32, 44, 44₁, 44₂, 44₃) for use in a magnetic resonance imaging system includes a low profile antenna (34, 102, 202, 302) that is configured to resonate at about a magnetic resonance frequency of the magnetic resonance imaging system. A generally planar inductor (110, 112, 210, 240, 310) is electrically connected or coupled with the low profile antenna. The generally planar inductor provides selected frequency filtering of a radio frequency signal received by or transmitted by the low profile antenna.



WO 2006/030332 A3



FR, GB, GR, HU, IE, IS, IT, LT, LU, LV, MC, NL, PL, PT,
RO, SE, SI, SK, TR), OAPI (BF, BJ, CF, CG, CI, CM, GA,
GN, GQ, GW, ML, MR, NE, SN, TD, TG).

— *before the expiration of the time limit for amending the
claims and to be republished in the event of receipt of
amendments*

Declaration under Rule 4.17:

— *as to applicant's entitlement to apply for and be granted a
patent (Rule 4.17(ii))*

(88) Date of publication of the international search report:

1 June 2006

Published:

— *with international search report*

*For two-letter codes and other abbreviations, refer to the "Guid-
ance Notes on Codes and Abbreviations" appearing at the begin-
ning of each regular issue of the PCT Gazette.*

INTERNATIONAL SEARCH REPORT

International application No
PC . . . B2005/052736

A. CLASSIFICATION OF SUBJECT MATTER G01R33/36		
According to International Patent Classification (IPC) or to both national classification and IPC		
B. FIELDS SEARCHED		
Minimum documentation searched (classification system followed by classification symbols) G01R		
Documentation searched other than minimum documentation to the extent that such documents are included in the fields searched		
Electronic data base consulted during the international search (name of data base and, where practical, search terms used) EPO-Internal, WPI Data, PAJ		
C. DOCUMENTS CONSIDERED TO BE RELEVANT		
Category*	Citation of document, with indication, where appropriate, of the relevant passages	Relevant to claim No.
X	US 5 276 398 A (WITHERS ET AL) 4 January 1994 (1994-01-04) column 3, paragraphs 1,2 - column 12, paragraph 3 column 13, paragraph 2 -----	1-27
X	EP 1 239 297 A (BRUKER BIOSPIN CORP) 11 September 2002 (2002-09-11) column 1, paragraph 6 -----	1-27
X	US 2003/062896 A1 (WONG WAI HA ET AL) 3 April 2003 (2003-04-03) column 1, paragraphs 5,6 - column 2, paragraph 7 -----	1-27
-/--		
<input checked="" type="checkbox"/> Further documents are listed in the continuation of Box C. <input checked="" type="checkbox"/> See patent family annex.		
* Special categories of cited documents :		
A document defining the general state of the art which is not considered to be of particular relevance *E* earlier document but published on or after the international filing date *L* document which may throw doubts on priority claim(s) or which is cited to establish the publication date of another citation or other special reason (as specified) *O* document referring to an oral disclosure, use, exhibition or other means *P* document published prior to the international filing date but later than the priority date claimed	*T* later document published after the international filing date or priority date and not in conflict with the application but cited to understand the principle or theory underlying the invention *X* document of particular relevance; the claimed invention cannot be considered novel or cannot be considered to involve an inventive step when the document is taken alone *Y* document of particular relevance; the claimed invention cannot be considered to involve an inventive step when the document is combined with one or more other such documents, such combination being obvious to a person skilled in the art. *&* document member of the same patent family	
Date of the actual completion of the international search <p style="text-align: center; font-weight: bold;">24 February 2006</p>	Date of mailing of the international search report <p style="text-align: center; font-weight: bold;">30/03/2006</p>	
Name and mailing address of the ISA/ European Patent Office, P.B. 5818 Patentlaan 2 NL - 2280 HV Rijswijk Tel. (+31-70) 340-2040, Tx. 31 651 epo nl, Fax: (+31-70) 340-3016	Authorized officer <p style="text-align: center; font-weight: bold;">Dragomir, A</p>	

INTERNATIONAL SEARCH REPORT

International application No

PC B2005/052736

C(Continuation). DOCUMENTS CONSIDERED TO BE RELEVANT

Category*	Citation of document, with indication, where appropriate, of the relevant passages	Relevant to claim No.
X	US 2002/186114 A1 (BASTERES LAURENT ET AL) 12 December 2002 (2002-12-12) page 1, paragraph 18-21 - page 2, paragraph 34-36; figures 3,4 -----	1-27
X	WO 98/25163 A (THE TRUSTEES OF COLUMBIA UNIVERSITY IN THE CITY OF) 11 June 1998 (1998-06-11) page 3, paragraph 2 - page 6, paragraph 1 -----	1-27
P,X	US 2004/207502 A1 (TAKAIKE EIJI) 21 October 2004 (2004-10-21) page 3, paragraph 54 - page 4, paragraph 66 -----	1-27

INTERNATIONAL SEARCH REPORT

Information on patent family members

International application No

PCT B2005/052736

Patent document cited in search report	Publication date	Patent family member(s)	Publication date	
US 5276398	A	04-01-1994	AT 213547 T	15-03-2002
			AU 677590 B2	01-05-1997
			AU 4400493 A	30-12-1993
			CA 2137079 A1	09-12-1993
			DE 69331604 D1	28-03-2002
			EP 0654147 A1	24-05-1995
			JP 8500436 T	16-01-1996
			WO 9324848 A1	09-12-1993
EP 1239297	A	11-09-2002	JP 2002328156 A	15-11-2002
			US 2004032262 A1	19-02-2004
			US 2003052682 A1	20-03-2003
US 2003062896	A1	03-04-2003	EP 1432998 A1	30-06-2004
			JP 2005503907 T	10-02-2005
			WO 03029834 A1	10-04-2003
US 2002186114	A1	12-12-2002	NONE	
WO 9825163	A	11-06-1998	AT 232305 T	15-02-2003
			AU 5369398 A	29-06-1998
			CA 2273150 A1	11-06-1998
			CN 1245562 A	23-02-2000
			DE 69718929 D1	13-03-2003
			DE 69718929 T2	04-12-2003
			EP 0941491 A1	15-09-1999
			HK 1024747 A1	06-06-2003
			JP 2001505463 T	24-04-2001
US 2004207502	A1	21-10-2004	JP 2004319763 A	11-11-2004