



US00D820367S

(12) **United States Design Patent**
Nielson et al.

(10) **Patent No.:** **US D820,367 S**

(45) **Date of Patent:** **** Jun. 12, 2018**

(54) **GOLF CLUB HEAD**

(74) *Attorney, Agent, or Firm* — Klarquist Sparkman LLP

(71) Applicant: **Taylor Made Golf Company, Inc.**,
Carlsbad, CA (US)

(57) **CLAIM**

(72) Inventors: **Joseph Reeve Nielson**, Vista, CA (US);
Christian Reber Wester, San Diego, CA (US);
Craig Richard Slyfield, San Diego, CA (US);
Rachel Elizabeth Gardner, Vista, CA (US);
Brian Bazzel, Carlsbad, CA (US);
Robert Nunez, Vista, CA (US)

We claim the ornamental design for a golf club head, as shown and described.

DESCRIPTION

(73) Assignee: **Taylor Made Golf Company, Inc.**,
Carlsbad, CA (US)

(**) Term: **15 Years**

(21) Appl. No.: **29/577,152**

(22) Filed: **Sep. 9, 2016**

(51) **LOC (11) Cl.** **21-02**

(52) **U.S. Cl.** **D21/759**
USPC

(58) **Field of Classification Search**
USPC **D21/736–752, 759**
(Continued)

(56) **References Cited**

U.S. PATENT DOCUMENTS

D187,401 S * 3/1960 Whittle D21/733
D200,416 S * 2/1965 Leeah D21/745
(Continued)

OTHER PUBLICATIONS

“Cobra BiO CELL + Driver,” downloaded from <http://www.golfsmith.com/product/30101039/cobra-bio-cell-driver>, 1 page (document not dated, downloaded on May 12, 2015).

Primary Examiner — Mitchell I. Siegel

FIG. 1 is a perspective view of a golf club head, as viewed from the front, above and one side according to one embodiment of the ornamental design.

FIG. 2 is a front elevation view of the golf club head of FIG. 1.

FIG. 3 is a rear elevation view of the golf club head of FIG. 1.

FIG. 4 is a side elevation view of the toe of the golf club head of FIG. 1.

FIG. 5 is a side elevation view of the heel of the golf club head of FIG. 1.

FIG. 6 is a top plan view of the golf club head of FIG. 1.

FIG. 7 is a bottom plan view of the golf club head of FIG. 1.

FIG. 8 is a perspective view of the golf club head as viewed from the front, above and one side according to an alternative environmental structure.

FIG. 9 is a front elevation view of the golf club head of FIG. 8.

FIG. 10 is a rear elevation view of the golf club head of FIG. 8.

FIG. 11 is a side elevation view of the toe of the golf club head of FIG. 8.

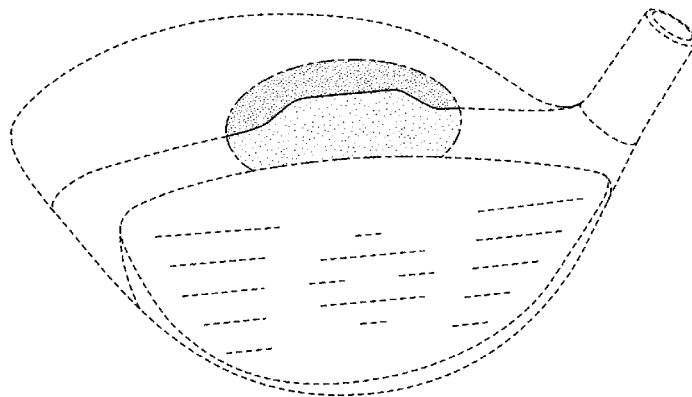
FIG. 12 is a side elevation view of the heel of the golf club head of FIG. 8.

FIG. 13 is a top plan view of the golf club head of FIG. 8; and,

FIG. 14 is a bottom plan view of the golf club head of FIG. 8.

The broken line showing is included for the purpose of illustrating and forms no part of the claimed design. The dash-dot lines are included as boundary lines and form no

(Continued)



part of the claimed design. A portion of the crown are stippled heavier and lighter to illustrate contrasting surfaces of different color.

1 Claim, 10 Drawing Sheets

(58) **Field of Classification Search**

CPC A63B 53/00; A63B 53/04; A63B 53/0466;
A63B 2053/002; A63B 2053/0445; A63B
2053/0433; A63B 2053/0491; A63B
2053/0437

See application file for complete search history.

(56) **References Cited**

U.S. PATENT DOCUMENTS

D256,709 S * 9/1980 Reid, Jr. D21/752
D268,357 S * 3/1983 Mader D21/733
D453,365 S * 2/2002 Carr D21/752
D496,084 S * 9/2004 Imamoto D21/759
D497,964 S * 11/2004 Kusumoto D21/759
D502,520 S * 3/2005 Dogan D21/759
D524,399 S * 7/2006 Madore D21/759
D532,858 S * 11/2006 Rice D21/759
D544,560 S * 6/2007 Oldknow D21/759
D553,206 S * 10/2007 Morales D21/733
D557,362 S * 12/2007 Serrano D21/752
D561,286 S * 2/2008 Morales D21/759
D577,405 S * 9/2008 Oldknow D21/759
D584,782 S * 1/2009 Barez D21/759
D584,783 S * 1/2009 Barez D21/759
D584,784 S * 1/2009 Barez D21/759
7,682,262 B2 * 3/2010 Soracco A63B 53/0466
473/329

D627,408 S 11/2010 Lindsay
D643,079 S 8/2011 Lindsay
D643,892 S * 8/2011 McGroarty D21/735
D652,464 S * 1/2012 Bertone D21/733
D662,560 S * 6/2012 Piniarski D21/733
D664,222 S 7/2012 Lindsay
8,348,780 B2 * 1/2013 Stites A63B 53/0466
473/231
D697,152 S 1/2014 Harbert et al.
D708,280 S 7/2014 Sargent et al.
D709,570 S * 7/2014 Mirafior, III D21/759
D709,571 S 7/2014 Sargent et al.
D709,572 S 7/2014 Sargent et al.
D710,467 S * 8/2014 Mirafior, III D21/759
D711,992 S * 8/2014 Mirafior, III D21/759
D711,993 S * 8/2014 Mirafior, III D21/759
8,821,312 B2 9/2014 Burnett et al.
8,827,831 B2 9/2014 Burnett et al.
D714,869 S 10/2014 Turner et al.
8,888,607 B2 11/2014 Harbert et al.
D724,165 S 3/2015 Cardani et al.
8,986,133 B2 3/2015 Bennett et al.
9,089,747 B2 7/2015 Boyd et al.
9,089,749 B2 7/2015 Burnett et al.
9,168,428 B2 10/2015 Albertsen et al.
9,220,953 B2 12/2015 Beach et al.
D765,808 S * 9/2016 Cardani D21/759
D766,391 S * 9/2016 Cardani D21/759
D767,694 S * 9/2016 Nielson D21/733
D772,996 S * 11/2016 Taylor D21/759
D791,256 S * 7/2017 Nielson D21/759
2007/0032313 A1 * 2/2007 Serrano A63B 53/0466
473/349
2007/0049417 A1 3/2007 Shear
2016/0059093 A1 3/2016 Nielson et al.

* cited by examiner

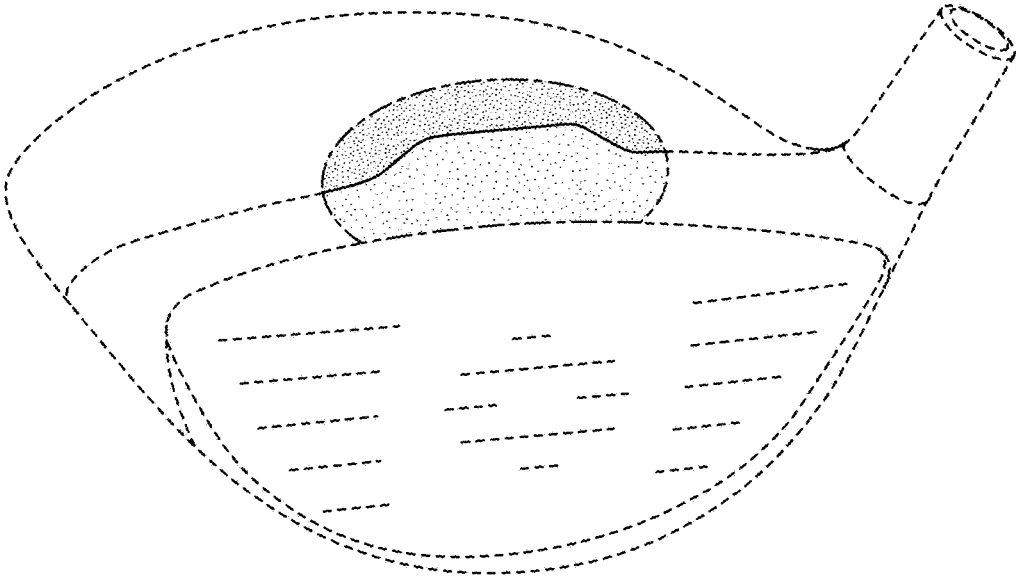


FIG. 1

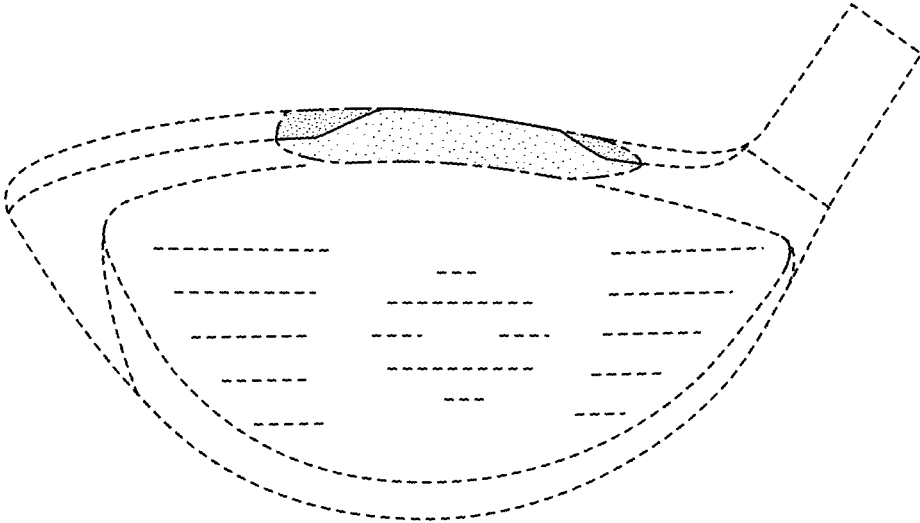


FIG. 2

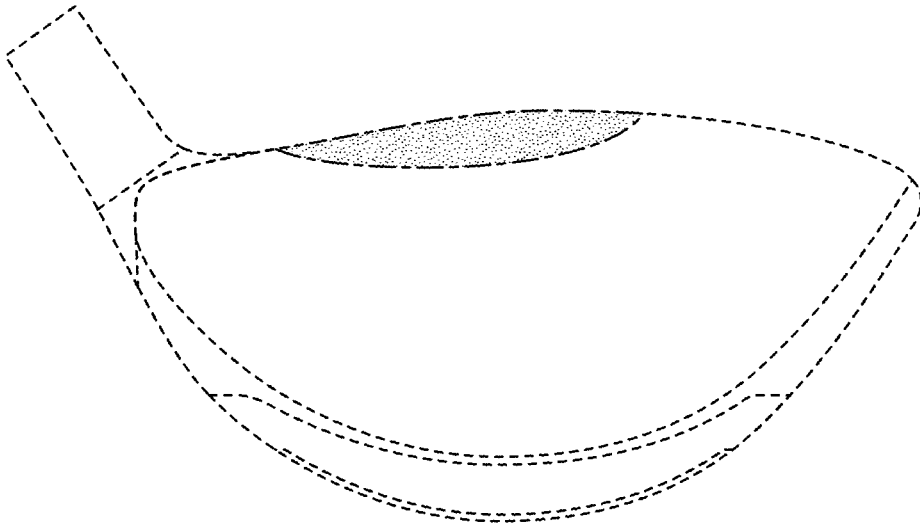


FIG. 3

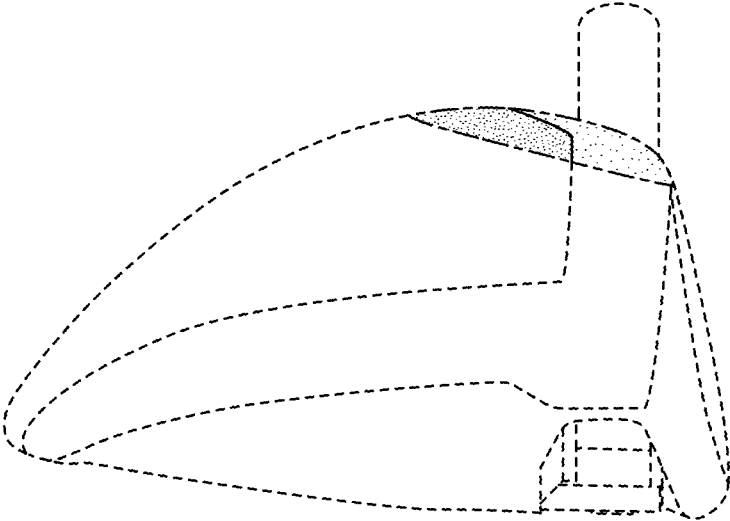


FIG. 4

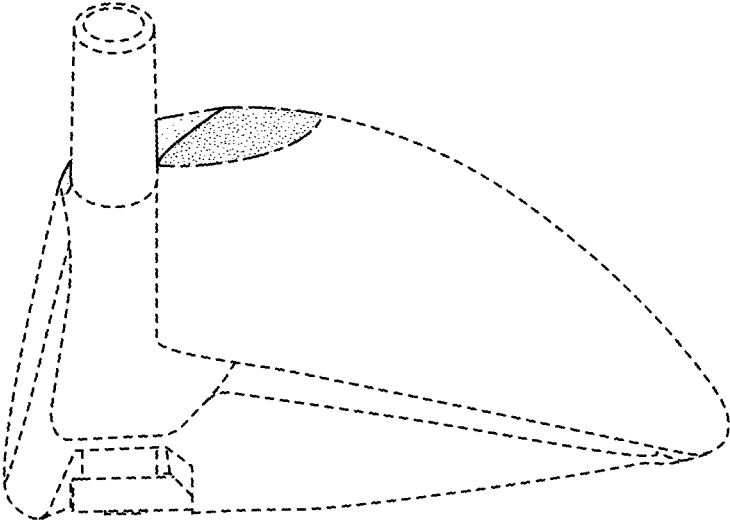


FIG. 5

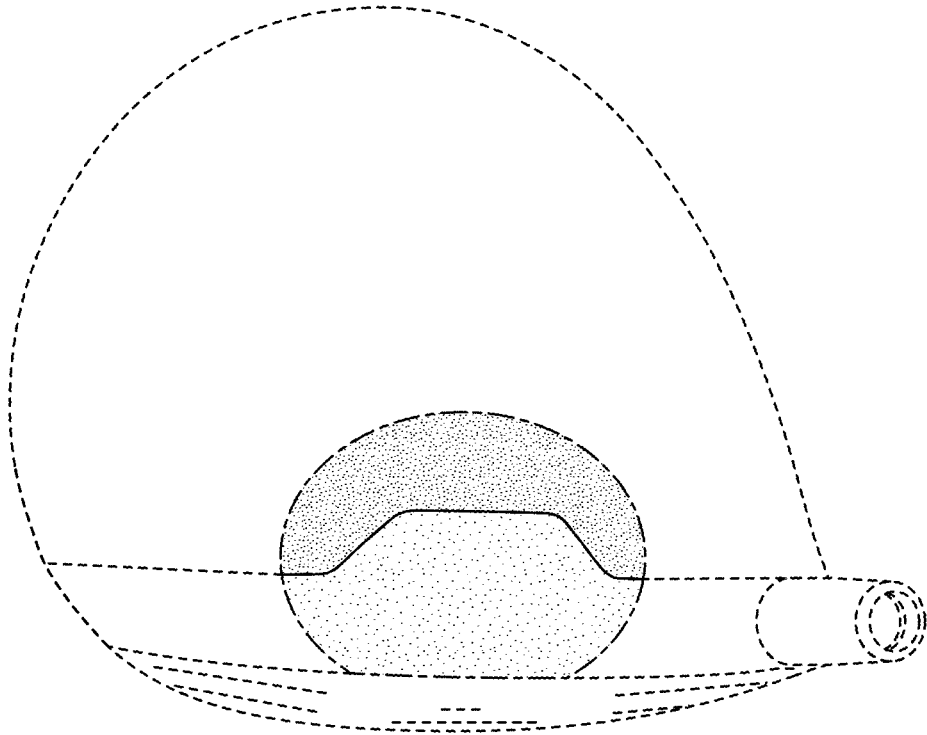


FIG. 6

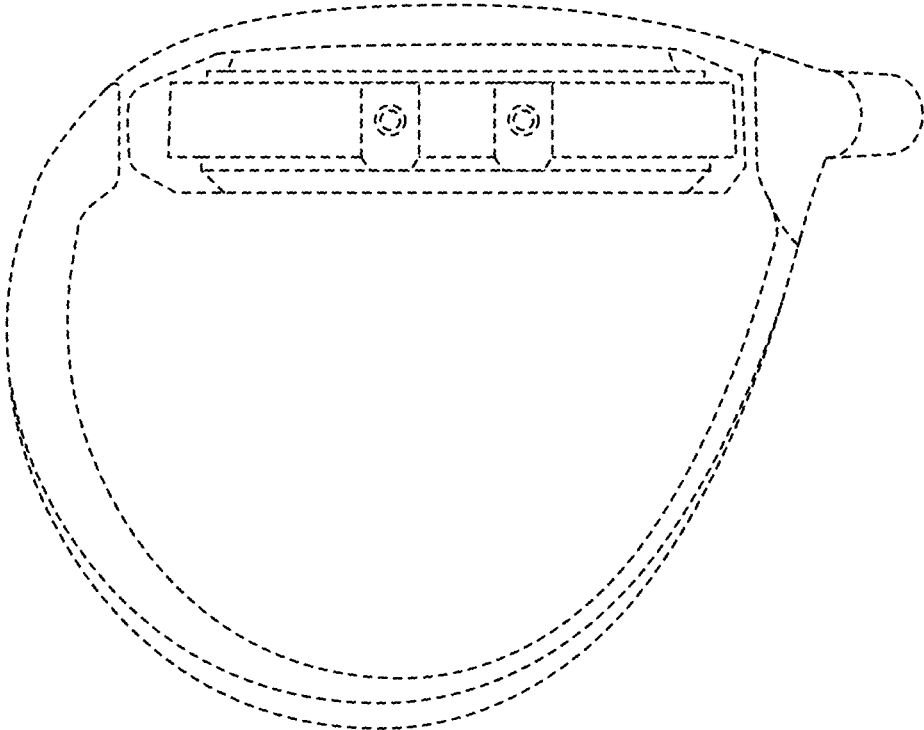


FIG. 7

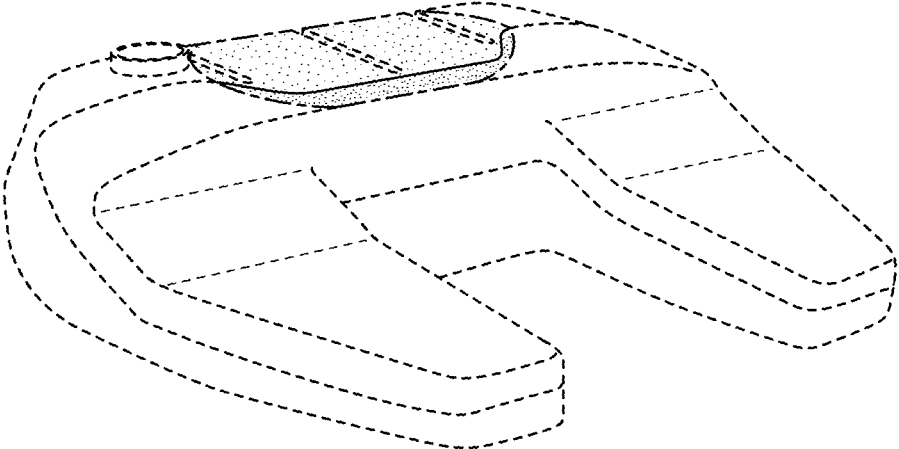


FIG. 8

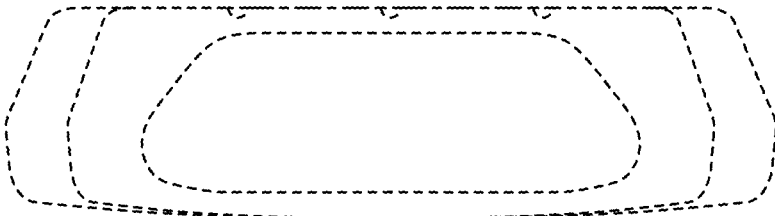


FIG. 9



FIG. 10

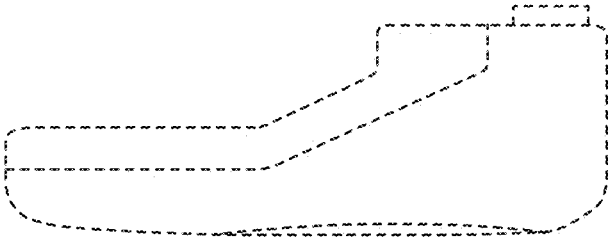


FIG. 11

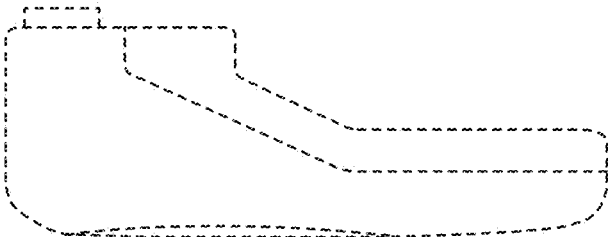


FIG. 12

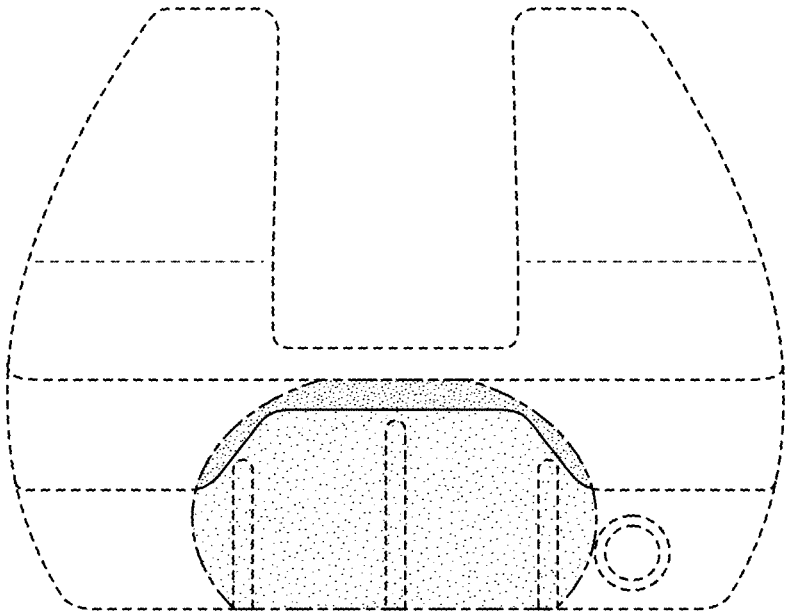


FIG. 13

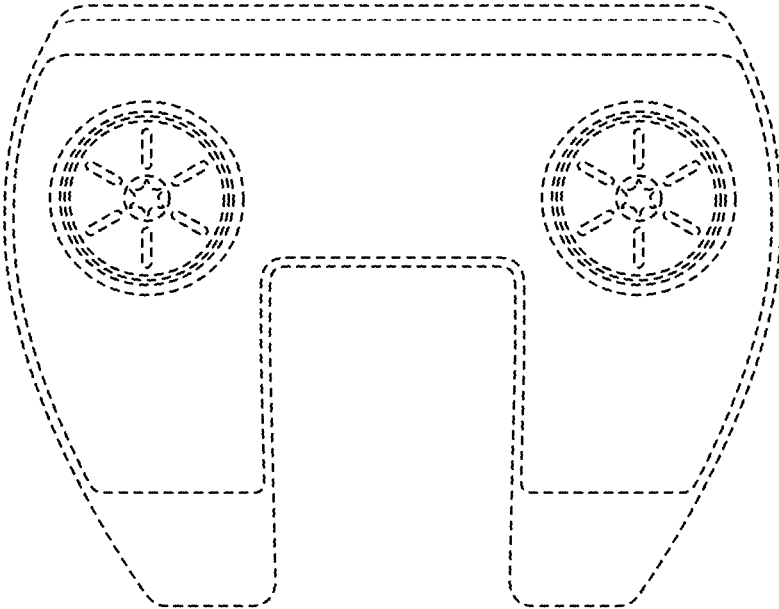


FIG. 14